

evOLUTION®

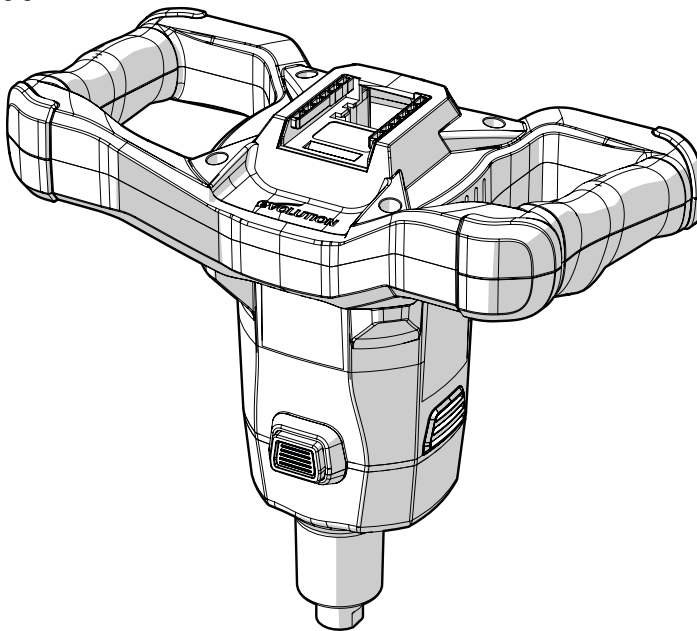
evolutionpowertools.com

R120

MXR Li

Original Instructions

Originalbetriebsanleitung
Instrucciones Originales
Instructions Originales
Notice Originale
Oryginalna Instrukcja
Originele Instructies
Ursprungliga Instruktioner



IMPORTANT

Please read these operating and safety instructions carefully and completely.

For your own safety, if you are uncertain about any aspect of using this equipment please access the relevant technical helpline, the number of which can be found on the Evolution Power Tools website.

We operate several helplines throughout our worldwide organisation, but technical help is also available from your supplier.

WEB

www.evolutionpowertools.com

EMAIL

UK:

customer.services@evolutionpowertools.com

US: evolutioninfo@evolutionpowertools.com

GUARANTEE

Congratulations on your purchase of an Evolution Power Tools Machine. Please complete your product registration 'online' as explained on the leaflet included with this machine. This will enable you to validate your machine's guarantee period via Evolution's website by entering your details and thus ensure prompt service if ever needed. We sincerely thank you for selecting a product from Evolution Power Tools.

Evolution Power Tools reserves the right to make improvements and modifications to the product design without prior notice.

Please refer to the guarantee registration leaflet and/or the packaging for details of the terms and conditions of the guarantee.

R120MXR-Li SPECIFICATIONS

MACHINE SPECIFICATIONS	UK/EU/AUS	USA
Product Code	087-0001, 087-0001-K, 087-0001A-K, 087-0001A, 087-0001B, 087-0001B-K, 087-0001C	087-0004, 087-0004A
Power	18V d.c.	20V d.c.
No Load Speed	0-650min ⁻¹	0-650rpm
Weight without paddle (no battery)	3.9kg	8.6lbs
Weight with paddle (no battery)	5.1kg	11.2lbs
Max capacity	40L	
Paddle size (supplied)	120mm	4-11/16"
Paddle fitment	14mm (female)	8/16"
Supplied paddle	120mm (4-11/16") Helix - multipurpose paddle	

NOISE & VIBRATION DATA	
Sound Power Level (L _{wA})	18V/20V: LwA : 90.5dB(A), KwA : 3dB(A)
Sound Pressure Level (L _{pA})	18/20V:LpA : 79.5dB(A), KpA : 3dB(A)
Vibration (m/sec ²) Left handle	18/20V: ah= 1.777 m/s ² Uncertainty K=1.5m/s ²
Vibration (m/sec ²) Right handle	18/20V: ah= 1.655 m/s ² Uncertainty K=1.5m/s ²

Note: The vibration measurement was made under standard conditions in accordance with: EN 62841-1: 2015, EN 62841-2-10:2017

The declared vibration total value has been measured in accordance with a standard test method and may be used for comparing one tool with another.

The declared vibration total value may also be used in a preliminary assessment of exposure.

VIBRATION

WARNING: When using this machine the operator can be exposed to high levels of vibration transmitted to the hand and arm. It is possible that the operator could develop "Vibration white finger disease" (Raynaud syndrome). This condition can reduce the sensitivity of the hand to temperature as well as producing general numbness. Prolonged or regular users of this machine should monitor the condition of their hands and fingers closely. If any of the symptoms become evident, seek immediate medical advice.

- The measurement and assessment of human exposure to hand-transmitted vibration in the workplace is given in: EN 62841-1 and EN 62841-2-10
- Many factors can influence the actual vibration level during operation e.g. the work surfaces condition and orientation and the type and condition of the machine being used. Before each use, such factors should be assessed, and where possible appropriate working practices adopted. Managing these factors can help reduce the effects of vibration:

Handling

- Handle the machine with care, allowing the machine to do the work.
- Avoid using excessive physical effort on any of the machines controls.
- Consider your security and stability, and the orientation of the machine during use.

Work Surface

- Consider the work surface material; its condition, density, strength, rigidity and orientation.





WARNING: The vibration emission during actual use of the power tool can differ from the declared total value depending on the ways in which the tool is used. The need to identify safety measures and to protect the operator are based on an estimation of exposure in the actual conditions of use (taking account of all parts of the operating cycle, such as the times the tool is switched off, when it is running idle, in addition to trigger time).

LABELS & SYMBOLS

WARNING: Do not operate this machine if warning and/or instruction labels are missing or damaged. Contact Evolution Power Tools for replacement labels.

Note: All or some of the following symbols may appear in the manual or on the product.

Symbol	Description
V	Volts
A	Amperes
Min ⁻¹ /rpm	Speed
~	Alternating Current
n ₀	No Load Speed
	Wear Safety Goggles
	Wear Ear Protection
	Wear Dust Protection
	Read Instructions
	Double Insulated
	CE Certification
	UKCA Certification
	TUV SUD Certification
	Waste Electrical & Electronic Equipment
	Triman - Waste Collection & Recycling
	Warning
	(RCM) Regulatory Compliance Mark for electrical and electronic equipment. Australian/New Zealand Standard 5490

	Keep away from heat and open flames - Do not dispose in fire
	Keep away from water - do not immerse in liquids
	Max temperature
	DC voltage

INTENDED USE OF THIS POWER TOOL

WARNING: This product is a Hand Held cordless paddle mixer and has been designed to be used with Evolution mixing paddles. Only use accessories designed for use in this machine and/or those recommended specifically by Evolution Power Tools Ltd.

When fitted with an appropriate paddle this machine can be used to mix:

Plaster | Paint | Mortar | Adhesive
Cement | Powder Based Building Products

PROHIBITED USE OF THIS POWER TOOL

WARNING: This product is a Hand Operated cordless paddle mixer and must only be used as such. It must not be modified in any way, or used to power any other equipment or drive any other accessories other than those mentioned in this Instruction Manual.

This mixer must not be used for the preparation of any food material.

WARNING: This machine is not intended for use by persons (including children) with reduced physical, sensory or mental capabilities, or lack of experience and knowledge, unless they have been given supervision or instruction concerning the safe use of the machine by a person responsible for their safety and who is competent in its safe use. Children should be supervised to ensure that they do not have access to, and are not allowed to play with, this machine.

POWER TOOL GENERAL SAFETY INSTRUCTIONS

(2.1) GENERAL SAFETY INSTRUCTIONS

(These General Power Tool Safety Instructions are as specified in EN 62841-1: 2015, UL Std. UL 62841-1 and CSA Std. C22.2 No. 62841-1).

WARNING: Read all safety warnings, instructions, illustrations and specifications provided with this power tool. Failure to follow the warnings and instructions may result in electric shock, fire and/ or serious injury.

Save all warnings and instructions for future reference.

The term “power tool” in the warnings refers to your mains-operated (corded) power tool or battery-operated (cordless) power tool.

WARNING: Read all safety warnings and instructions. Failure to follow the warnings and instructions may result in electric shock, fire and/ or serious injury.

Save all warnings and instructions for future reference. The term “power tool” in the warnings refers to your mains-operated (corded) power tool or battery-operated (cordless) power tool.

(2.2) 1) General Power Tool Safety Warnings [Work area safety]

- a) Keep work area clean and well lit.** Cluttered or dark areas invite accidents.
- b) Do not operate power tools in explosive atmospheres, such as in the presence of flammable liquids, gasses or dust.** Power tools create sparks which may ignite the dust or fumes.
- c) Keep children and bystanders away while operating power tool.** Distractions can cause you to lose control.

(2.3) 2) General Power Tool Safety Warnings [Electrical Safety]

- a) Power tool plugs must match the outlet. Never modify the plug in any way. Do not use any adapter plugs with earthed (grounded) power tools.** Unmodified plugs and matching outlets will reduce risk of electric shock.
- b) Avoid body contact with earthed or grounded surfaces, such as pipes, radiators, ranges and refrigerators.** There is an increased risk of electric shock if your body is earthed or grounded.
- c) Do not expose power tools to rain or wet conditions.** Water entering a power tool will increase the risk of electric shock.
- d) Do not abuse the cord. Never use the cord for carrying, pulling or unplugging the power tool. Keep cord away from heat, oil, sharp edges or moving parts.** Damaged or entangled cords increase the risk of electric shock.
- e) When operating a power tool outdoors, use an extension cord suitable for outdoor use.** Use of a cord suitable for outdoor use reduces the risk of electric shock.

f) If operating a power tool in a damp location is unavoidable, use a residual current device (RCD) protected supply. Use of an RCD reduces the risk of electric shock.

(2.4) 3) General Power Tool Safety Warnings [Personal Safety].

- a) Stay alert, watch what you are doing and use common sense when operating a power tool.** Do not use a power tool while you are tired or under the influence of drugs, alcohol or medication. A moment of inattention while operating power tools may result in serious personal injury.
 - b) Use personal protective equipment.** Always wear eye protection. Protective equipment such as dust masks, non-skid safety shoes, hard hat or hearing protection used for appropriate conditions will reduce personal injuries.
 - c) Prevent unintentional starting.** Ensure the switch is in the off-position before connecting to power source and or battery pack, picking up or carrying the tool. Carrying power tools with your finger on the switch or energising the power tools that have the switch on invites accidents.
 - d) Remove any adjusting key or wrench from blade bolt before turning the power tool on.** A wrench or key left attached to a rotating part of a power tool may result in personal injury.
 - e) Do not overreach. Keep proper footing and balance at all times.** This enables better control of the power tool in unexpected situations.
 - f) Dress properly.** Do not wear loose clothing or jewellery. Keep your hair, clothing and gloves away from moving parts. Loose clothes, jewellery or long hair can be caught in moving parts.
 - g) If devices are provided for the connection of dust extraction and collection facilities, ensure that these are connected and properly used.** Use of dust collection can reduce dust-related hazards.
 - h) Do not let familiarity gained from frequent use of tools allow you to become complacent and ignore tool safety principles.** A careless action can cause severe injury within a fraction of a second.
- (2.5) 4) General Power Tool Safety Warnings [Power tool use and care].**
- a) Do not force the power tool.** Use the correct power tool for your application. The correct power tool will do the job better and safer at a rate for which it was designed.
 - b) Do not use the power tool if the switch does not turn it on or off.** Any power tool that cannot be controlled with the switch is dangerous and must be repaired.
 - c) Disconnect the power tool from the power source from the power tool before making any adjustments, changing accessories, or**

storing power tools. Such preventative safety measures reduce the risk of starting the power tool accidentally.

d) Store idle power tools out of the reach of children and do not allow persons unfamiliar with the power tool or these instructions to operate the power tool. Power tools are dangerous in the hands of untrained users.

e) Maintain power tools. Check for misalignment or binding of moving parts, breakage of moving parts and any other condition that may affect the power tools operation. If damaged, have the power tool repaired before use. Many accidents are caused by poorly maintained power tools.

f) Keep cutting tools sharp and clean.

Properly maintained cutting tools with sharp cutting edges are less likely to bind and are easier to control.

g) Use the power tool, accessories and tool bits etc. in accordance with these instructions, taking into account the working conditions and the work to be performed. Use of the power tool for operations different from those intended could result in a hazardous situation.

h) Keep handles and grasping surfaces dry, clean and free from oil and grease. Slippery handles and grasping surfaces do not allow for safe handling and control of the tool in unexpected situations.

(2.6) 5) Battery tool use and care

a) Recharge only with the charger specified by the manufacturer. A charger that is suitable for one type of battery pack may create a risk of fire when used with another battery pack.

b) Use power tools only with specifically designated battery packs. Use of any other battery packs may create a risk of injury and fire.

c) When battery pack is not in use, keep it away from other metal objects, like paper clips, coins, keys, nails, screws or other small metal objects, that can make a connection from one terminal to another. Shorting the battery terminals together may cause burns or a fire.

d) Under abusive conditions, liquid may be ejected from the battery; avoid contact. If contact accidentally occurs, flush with water. If liquid contacts eyes, additionally seek medical help. Liquid ejected from the battery may cause irritation or burns.

e) Do not use a battery pack or tool that is damaged or modified. Damaged or modified batteries may exhibit unpredictable behaviour resulting in fire, explosion or risk of injury.

f) Do not expose a battery pack or tool to fire or excessive temperature. Exposure to fire or temperature above 130 °C may cause explosion.

Note: The temperature „130 °C“ can be replaced by the temperature „265 °F“.

g) Follow all charging instructions and do not charge the battery pack or tool outside the temperature range specified in the instructions. Charging improperly or at temperatures outside the specified range may damage the battery and increase the risk of fire.

6) Service

a) Have your power tool serviced by a qualified repair person using only identical replacement parts. This will ensure that the safety of the power tool is maintained.

b) Never service damaged battery packs. Service of battery packs should only be performed by the manufacturer or authorized service providers.

Mixer safety instructions

a) Hold the tool with both hands at the intended handles. Loss of control can cause personal injury.

b) Ensure sufficient ventilation when mixing flammable materials to avoid a hazardous atmosphere. Developing vapour may be inhaled or be ignited by the sparks the power tool produces.

c) Do not mix food. Power tools and their accessories are not designed for processing food.

d) Ensure that the mixing container is placed in a firm and secure position to prevent the container from turning. A container that is not properly secured may move unexpectedly.

e) Ensure that no liquid splashes against the housing of the power tool. Liquid that has penetrated the power tool can cause damage and lead to electric shock.

f) Follow the instructions and warnings for the material to be mixed. Material to be mixed may be harmful.

g) If the power tool falls into the material to be mixed, removed the battery from the machine and have the power tool checked by a qualified repair person.

h) Do not reach into the mixing container with your hands or insert any other objects into it while mixing. Contact with the mixer basket may lead to serious personal injury.

i) Start up and run down the tool in the mixing container only. The mixer basket may bend or spin in an uncontrolled manner.

HEALTH ADVICE

WARNING: When using this machine, dust particles may be produced. In some instances, depending on the materials you are working with, this dust can be particularly harmful. If you suspect that paint on the surface of material you wish to cut contains lead, seek professional advice. Lead based paints should only be removed by a professional and you should not attempt to remove it yourself. Once the dust

has been deposited on surfaces, hand to mouth contact can result in the ingestion of lead. Exposure to even low levels of lead can cause irreversible brain and nervous system damage. The young and unborn children are particularly vulnerable.

You are advised to consider the risks associated with the materials you are working with and to reduce the risk of exposure. As some materials can produce dust that may be hazardous to your health, we recommend the use of an approved face mask with replaceable filters when using this machine.

You should always:

- Work in a well-ventilated area.
- Work with approved safety equipment, such as dust masks that are specially designed to filter microscopic particles.

WARNING: the operation of any power tool can result in foreign objects being thrown towards your eyes, which could result in severe eye damage. Before beginning power tool operation, always wear safety goggles or safety glasses with side shield or a full face shield where necessary.

ADDITIONAL SAFETY INSTRUCTIONS

- A suitable industrial mixing tub, preferable plastic, should be sourced and sited on a secure and stable horizontal surface.
- The operator should adopt a secure stance with both feet firmly planted and slightly apart. This machine also requires the use of both hands. This machine cannot be used 'one handed'.
- The operator should wear close fitting work clothes or a fitted boiler suit when using this equipment. Loose fitting clothes pose a hazard as they can become entangled in the rotating parts of the machine.
- Loose jewellery and jewellery chains etc should be removed and safely stored before operating this machine. Loose jewellery can pose a hazard as it can become entangled in the rotating parts of the machine.
- The operator should hold this machine firmly by the insulated handles which have an ergonomic gripping surface.
- Safety eye goggles or a full face mask should always be worn to provide protection from material that could be accidentally ejected from the mixing tub during mixing operations.
- A dust mask should be worn to provide protection from any material that may be ejected from the mixing tub, especially during the initial mixing process.
- The machine should only be started with the mixing paddle in the mixing tub. Start the machine with the speed set at the lowest

speed setting and gradually increase the speed until the optimum mixing performance is achieved.

- The operator should never reach into the mixing tub or insert any other objects or tools into the mixing tub while mixing is in progress.
- This machine should not be used in environments with a potentially explosive atmosphere. This could include factories, garages and other enclosed spaces (bakeries, grain silos etc) which may contain significant amounts of airborne dust or other particles.
- This machine should not be used to mix any readily flammable solvents or solvent containing substances with a flash point of below 21°C.
- During operations if the machine is to be stored temporarily (by being placed on a horizontal work surface), the operator must ensure that the machine is placed on its handles with the paddle providing a third contact point.

GETTING STARTED - UNPACKING

Caution: This packaging contains sharp objects. Take care when unpacking. Remove the machine, together with the accessories supplied from the packaging. Check carefully to ensure that the machine is in good condition and account for all the accessories listed in this manual. Also make sure that all the accessories are complete. If any parts are found to be missing, the machine and its accessories should be returned together in their original packaging to the retailer. Do not throw the packaging away; keep it safe throughout the guarantee period. Dispose of the packaging in an environmentally responsible manner. Recycle if possible. Do not let children play with empty plastic bags due to the risk of suffocation.

ITEMS SUPPLIED

Description	087-0001, 087-0001-K, 087-0004,	087-0001A, 087-0001-AK, 087-0001B, 087-0001BK, 087-0001C, 087-0004A
Instruction Manual	✓	✓
Cordless paddle mixer motor Unit	✓	✓
Helicon 120mm mixing paddle (UP mixing)	✓	✓
Paddle spanner	✓	✓
2Ah Battery		
4Ah Battery		
5Ah Battery		✓
8Ah Battery		
Single dock charger		✓
Double dock charger		

ADDITIONAL ACCESSORIES

In addition to the standard items supplied with this machine the following accessories are also available from the Evolution online shop at www.evolutionpowertools.com or from your local retailer.

Description	Part No
Parallel 120mm paddle	123-0001
Spiral 120mm paddle	123-0002
Helicon 120mm paddle (UP mixing)	123-0003
Helicon 120mm paddle (DOWN mixing)	123-0004
Helicon 140mm paddle (UP mixing)	123-0005

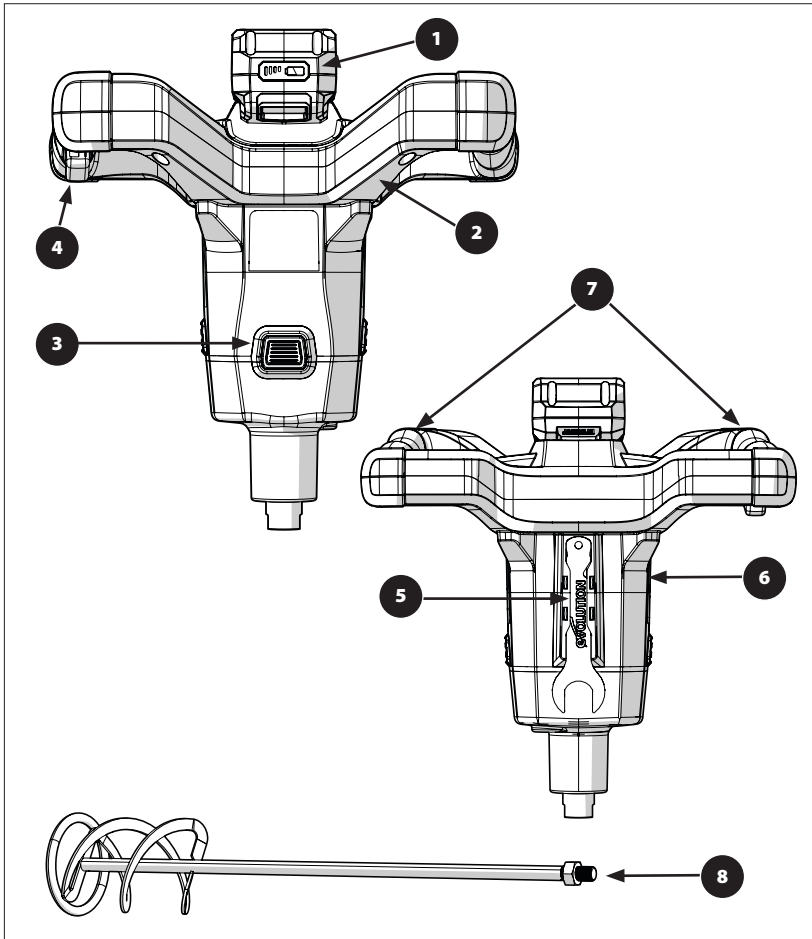
WARNING: Since accessories, other than those offered by Evolution Power Tools Ltd, have not been tested with this product, Use of such accessories with this tool could be hazardous. To reduce the risk of injury only Evolution recommended accessories should be used with this product.

RECOMMENDED BATTERIES/CHARGERS

Description	Part No	
2Ah Battery	R18BAT-Li2, R20BAT-Li2	EBAT18-Li-2
4Ah Battery	R18BAT-Li4, R20BAT-Li4	EBAT18-Li-4, EHPB18-Li-4
5Ah Battery	R18BAT-Li5, R20BAT-Li5	EBAT18-Li-5
8Ah Battery	R18BAT-Li8, R20BAT-Li8	EHPB18-Li-8
R18RCH-Li1- Single dock charger	R18RCH-Li1, R20RCH-Li1	EFC18-Li
R18RCH-Li2 - Double dock charger	R18RCH-Li2, R20RCH-Li2	EMC18-Li

If you intend to store a battery for a period without use then store battery at room temperature (0°C to 20°C) When storing for very long periods, boost charge the battery once per year to prevent over discharge; the Ambient temperature range for tool and battery use: 0°C to 40°C; The charging temperature: 5°C to 40°C

R120MXR-Li MACHINE OVERVIEW



1. BATTERY PACK
2. LED WORK LIGHT
3. ARBOUR LOCK BUTTON
4. VARIABLE SPEED TRIGGER
5. ONBOARD TOOL STORAGE
6. MOTOR UNIT
7. HANDLES
8. PADDLE

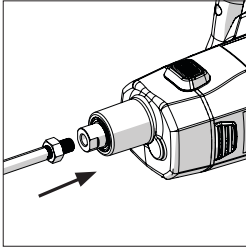


Fig. 1

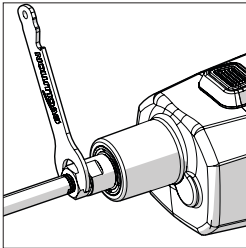


Fig. 2

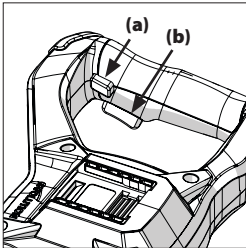


Fig. 3

ASSEMBLY

The Mixing Paddle

Note: The Evolution paddle mixer is supplied with a multipurpose mixing paddle.

Inserting and removing the mixing paddle (Fig.1)

- 1) Insert the paddle thread into the arbor by turning it clockwise.
- 2) Tighten the paddle by pushing and holding the arbor lock button and using the wrench supplied tighten the paddle clockwise.
- 3) To remove the paddle push and hold the arbor lock button and use the wrench supplied and proceed in reverse order

Note: The machines arbor (**Fig. 2**) projects from the motor unit, and has two flats machined on it to accommodate the supplied spanner. The internal hole in the arbor contains a $\varnothing 14$ mm thread. This internal thread matches the external $\varnothing 14$ mm thread found on the mixing paddle shaft. The mixing maddle should be screwed into the machines arbor and securely tightened.

Hand position

WARNING: to reduce the risk of serious injury, ALWAYS hold the machine with both hands on the intended handles, take a secure stance and concentrate on the work. Reverse torque at the handles can cause a Loss of control and can cause personal injury.

OPERATING INSTRUCTIONS

To install/remove the battery

To install the battery insert firmly into the tool until you hear an audible click, ensuring the battery is fully seated and latched into position. To remove the battery depress the battery release button and pull the battery out of the tool.

Running the mixer and variable speed control

- Do not use this tool to mix or pump easily combustible or explosive fluids (Benzene, Alcohol, etc)
- Do not mix or stir flammable liquids labelled accordingly
- Always check the flammability warnings on any product before attempting to mix.
- Secure the mixing container against turning.
- Always wear protective goggles, gloves and a breathing mask when working with the machine.
- Wear ear protectors when working for long periods of time. High noise levels over a prolonged period of time may effect your hearing.

Note: The Trigger Switch is ergonomically located on the underside of the RH handle.

- 1) Press the safety locking button (**Fig. 3a**) and keep pressed, then press the trigger (**Fig. 3b**)
- 2) Press the trigger to increase the rotational speed.
- 3) To switch off, release the trigger switch.

During the mixing process you should guide the mixer around the container to ensure a more consistent mix. Continue until all the material is completely mixed.

Caution: If the mixer comes into contact with the surface of the container while running, it may kick back.

Caution: ALWAYS reduce the speed when submerging the mixer in the material or lifting it out. Once the mixer is fully submerged, increase the speed again to ensure that the motor is adequately cooled.

LED work light

Once the trigger switch is depressed the LED work light will come on.

TROUBLESHOOTING

Overload protection: The machine has shut down by itself. The machine is too hot! Allow the machine to run at idle speed until it has cooled down.

MAINTENANCE

WARNING: To reduce the risk of serious personal injury, turn off and disconnect battery pack before making any adjustments or removing / installing attachments or accessories.

Clean the machine and the paddle immediately after use.

Use a clean, slightly damp cloth to clean the plastic parts of the machine. Do not use solvents or similar products which could damage the plastic parts.

Excessive sparking may indicate the presence of dirt in the motor or worn out carbon brushes. If this is suspected have the machine serviced and the brushes replaced by a qualified technician.

ENVIRONMENTAL PROTECTION

Never place any electric power tools in your household refuse.

To comply with European Directive 2012/19/EU concerning old electric and electronic equipment and its implementation in national laws, old electric power tools have to be separated from other waste and disposed of in an environment-friendly fashion, e.g. by taking to a recycling depot.

Recycling alternative to the return request:

As an alternative to returning the equipment to the manufacturer, the owner of the electrical equipment must make sure that the equipment is properly disposed of if he no longer wants to keep the equipment. The old equipment can be returned to a suitable collection point that will dispose of the equipment in accordance with the national recycling and waste disposal regulations. This does not apply to any accessories or aids without electrical components supplied with the old equipment.

Environmental damage through incorrect disposal of the batteries / rechargeable batteries.

Batteries /rechargeable batteries may not be disposed of with the usual domestic waste. They may contain toxic heavy metals and are subject to hazardous waste treatment rules and regulations. Please dispose of batteries according to the relevant local requirements.

Remove the battery from the product before disposal.



EC DECLARATION OF CONFORMITY



The manufacturer of the product covered by this Declaration is:

UK: Evolution Power Tools, Venture One, Longacre Close, Holbrook Industrial Estate, Sheffield, S20 3FR.

FR: Evolution Power Tools SAS. 61 Avenue Lafontaine, 33560, Carbon-Blanc, Bordeaux, France.

The manufacturer hereby declares that the machine as detailed in this declaration fulfils all the relevant provisions of the Machinery Directive and other appropriate directives as detailed below. The manufacture further declares that the machine as detailed in this declaration, where applicable, fulfils the relevant provisions of the Essential Health and Safety requirements.

The Directives covered by this Declaration are as detailed below:

2006/42/EC.	Machinery Directive.
2014/30/EC.	Electromagnetic Compatibility Directive.
2011/65/EU. & 2015/863/EU.	The Restriction of the Use of certain Hazardous Substances in Electrical Equipment (RoHS) Directive.
2012/19/EU.	The Waste Electrical and Electronic Equipment (WEEE) Directive.

And is in conformity with the applicable requirements of the following documents:

EN 62841-1:2015 • EN 62841-2-10:2017 • EN 55014-1:2017+A11:2020 • EN IEC 55014-1-2021 • EN IEC 55014-2-2021

Product Details

Description: R120MXR-Li CORDLESS PADDLE MIXER
Product code: 087-0001
Brand Name: EVOLUTION
Voltage: 18 d.c.

The technical documentation required to demonstrate that the product meets the requirements of directive has been compiled and is available for inspection by the relevant enforcement authorities, and verifies that our technical file contains the documents listed above and that they are the correct standards for the product as detailed above.

Name and address of technical documentation holder.

Signed:  Print: Barry Bloomer - CEO

Date: 22/03/22

UK: Evolution Power Tools, Venture One, Longacre Close, Holbrook Industrial Estate, Sheffield, S20 3FR.
FR: Evolution Power Tools SAS. 61 Avenue Lafontaine, 33560, Carbon-Blanc, Bordeaux, France.

EC DECLARATION OF CONFORMITY**The manufacturer of the product covered by this Declaration is:****UK:** Evolution Power Tools, Venture One, Longacre Close, Holbrook Industrial Estate, Sheffield, S20 3FR.**FR:** Evolution Power Tools SAS. 61 Avenue Lafontaine, 33560, Carbon-Blanc, Bordeaux, France.

The manufacturer hereby declares that the machine as detailed in this declaration fulfils all the relevant provisions of the Machinery Directive and other appropriate directives as detailed below. The manufacture further declares that the machine as detailed in this declaration, where applicable, fulfils the relevant provisions of the Essential Health and Safety requirements.

The Directives covered by this Declaration are as detailed below:

UK legislation_ Supply of Machinery (Safety) Regulations 2008;
UK legislation_ Electromagnetic Compatibility Regulations 2016;
UK legislation_ The Restriction of the Use of Certain Hazardous Substances in Electrical and Electronic Equipment Regulations 2012
UK regulation _ The Waste Electrical and Electronic Equipment Regulations 2013

And is in conformity with the applicable requirements of the following documents:

BS EN 62841-1:2015 • BS EN 62841-2-10: 2017;
BS EN IEC 55014-1-2021 • BS EN IEC 55014-2-2021

Product Details

Description: R120MXR-Li CORDLESS PADDLE MIXER
Product code: 087-0001
Brand Name: EVOLUTION
Voltage: 18 d.c.

The technical documentation required to demonstrate that the product meets the requirements of directive has been compiled and is available for inspection by the relevant enforcement authorities, and verifies that our technical file contains the documents listed above and that they are the correct standards for the product as detailed above.

Name and address of technical documentation holder.

Signed:  Print: Barry Bloomer - CEO

Date: 22/03/22

UK: Evolution Power Tools, Venture One, Longacre Close, Holbrook Industrial Estate, Sheffield, S20 3FR.**FR:** Evolution Power Tools SAS. 61 Avenue Lafontaine, 33560, Carbon-Blanc, Bordeaux, France.

WICHTIG

Lesen Sie diese Betriebs- und Sicherheitsanweisungen bitte sorgfältig und vollständig durch.

Sollten Sie sich hinsichtlich der Anwendung des Elektrowerkzeugs unsicher fühlen, kontaktieren Sie zu Ihrer eigenen Sicherheit unsere technische Helpline, deren Nummer auf der Website von Evolution Power Tools zu finden ist.

Wir betreiben mehrere Helplines in unserer weltweiten Organisation, technische Hilfe erhalten Sie aber auch von Ihrem Lieferanten.

INTERNET

www.evolutionpowertools.com

E-MAIL

UK: customer.services@evolutionpowertools.com

USA: evolutioninfo@evolutionpowertools.com

GARANTIE

Wir gratulieren Ihnen zum Kauf einer Maschine von Evolution Power Tools. Folgen Sie den Anweisungen des beliegenden Merkblattes und registrieren Sie Ihr Produkt „online“. Hierdurch aktivieren Sie die Garantiefrist Ihrer Maschine über die Evolution-Website. Geben Sie zu diesem Zweck einfach Ihre Kontaktdaten ein und sichern Sie sich einen schnellen Kundenservice, wann immer Sie ihn brauchen.

Wir danken Ihnen, dass Sie sich für ein Produkt von Evolution Power Tools entschieden haben.

Evolution Power Tools behält sich das Recht vor, ohne vorherige Mitteilung konstruktive Verbesserungen und Änderungen am Produkt vorzunehmen.

Die Garantiebedingungen finden Sie auf dem Merkblatt zur Garantieregistrierung und/oder der Verpackung.

TECHNISCHE DATEN R120MXR-Li

TECHNISCHE DATEN	UK/EU/AUS	USA
Produktcode	087-0001, 087-0001-K, 087-0001A-K, 087-0001A, 087-0001B, 087-0001B-K, 087-0001C	087-0004, 087-0004A
Antrieb	18 V DC	20 V DC
Leerlaufdrehzahl	0-650 Min ⁻¹	0-650 UpM
Gewicht ohne Rührer (kein Akku)	3,9 kg	8,6 lbs
Gewicht mit Rührer (kein Akku)	5,1 kg	11,2 lbs
Maximale Leistung	40 L	
Rührergröße (Lieferumfang)	120 mm	4-11/16 Zoll
Rührerbefestigung	14 mm (Innengewinde)	8/16 Zoll
Mitgelieferte Rührer	120 mm (4-11/16") Helix - Mehrzweck-Rührer	

LÄRM- UND VIBRATIONSBEZOGENE DATEN	
Schalleistungspegel (L _{WA})	18 V / 20 V: L _{WA} : 90,5 dB(A), K _{WA} : 3 dB(A)
Schalldruckpegel (L _{pA})	18 / 20 V: L _{pA} : 79,5 dB(A), K _{pA} : 3 dB(A)
Vibration (m/s ²) Linker Griff	18-20 V: a ^h = 1,777 m/s ² , Unsicherheit K = 1,5 m/s ²
Vibration (m/s ²) Rechter Griff	18/20 V: a ^h = 1,655 m/s ² Unsicherheit K=1,5 m/s ²

Hinweis: Die Ermittlung des Vibrationspegels geschah unter Standardbedingungen in Übereinstimmung mit:

EN 62841-1: 2015, EN 62841-2-10:2017

Der angegebene Vibrationswert wurde im Einklang mit einer Standard-Prüfmethode gemessen und kann verwendet werden, um verschiedene Maschinen miteinander zu vergleichen.

Ebenso kann er für eine erste Gefahrenbewertung herangezogen werden.

VIBRATION

WARNUNG: Beim Betrieb der Maschine ist der Bediener u. U. starken Vibrationen (an Hand und Arm) ausgesetzt. Möglicherweise tritt dadurch beim Bediener die „Weißfingerkrankheit“ (Raynaud-Syndrom) auf. Dies kann die Temperaturempfindlichkeit der Hand beeinträchtigen und ein allgemeines Taubheitsgefühl erzeugen. Personen, die längere Zeit oder regelmäßig mit Magnetbohrmaschinen arbeiten, sollten den Zustand ihrer Hände und Finger aufmerksam beobachten. Falls die vorgenannten Symptome auftreten, sollte unverzüglich ärztlicher Rat eingeholt werden.

- Die Messung und Bewertung der Auswirkungen von Schwingungen auf das Hand-Arm-System am Arbeitsplatz wird in folgenden Normen beschrieben: EN 62841-1 und EN 62841-2-10
- Die Stärke der Vibration während des Betriebs wird von einer Vielzahl von Faktoren beeinflusst wie z. B. Beschaffenheit und Ausrichtung der Arbeitsfläche und Typ und Zustand der verwendeten Maschine. Derartige Faktoren sollten vor jeder Verwendung bewertet werden, um geeignete Arbeitspraktiken festzulegen, falls möglich. Folgende Einstellungen können Vibrationen vermindern:

Gebrauch

- Bedienen Sie die Maschine mit Sorgfalt, lassen Sie sie die Arbeit für Sie verrichten.
- Wenden Sie nicht unnötig viel Kraft auf die Bedienelemente der Maschine an.
- Berücksichtigen Sie Ihre eigene Sicherheit und Stabilität sowie die Ausrichtung der Maschine während des Betriebs.

Arbeitsoberfläche

- Berücksichtigen Sie das Material Ihrer Arbeitsfläche; ihren Zustand, Dicke, Robustheit, Härte und Ausrichtung.



WARNUNG: Die Vibrationsemission beim tatsächlichen Gebrauch des Elektrowerkzeugs kann von dem deklarierten Gesamtwert je nach Art der Verwendung des Werkzeugs abweichen. Das Ausmaß an Sicherheitsmaßnahmen und Maßnahmen zum Schutz des Bedieners basiert auf dem geschätzten Ausmaß an Beanspruchung (unter Berücksichtigung aller Abschnitte des Betriebszyklus, wie z. B. Ausschalten der Maschine, Leerlauf zusätzlich zur Auslösezeit).

KENNZEICHNUNGEN UND SYMBOLE

WARNUNG: Verwenden Sie die Maschine nicht, wenn Warnhinweise und/oder Hinweisschilder fehlen oder beschädigt sind. Für Ersatz wenden Sie sich an Evolution Power Tools.

Hinweis: Manche oder alle der folgenden Symbole können in der Originalbetriebsanleitung oder auf dem Produkt abgebildet sein.

Symbol	Beschreibung
V	Volt
A	Ampere
Min ⁻¹ /UpM	Drehzahl
~	Wechselstrom
n ₀	Leerlaufdrehzahl
	Schutzbrille tragen
	Gehörschutz tragen
	Staubschutz tragen
	Anleitung lesen
	Doppelt isoliert
	CE-Zertifizierung
	UKCA-Zertifizierung
	TÜV SÜD Zertifizierung
	Entsorgung als Elektro- & Elektronikschrott
	Triman - Restmüllabfuhr & Recycling
	Warnung
	(RCM) Regulatory Compliance Mark für elektrische und elektronische Geräte. Australische/neuseeländische Norm 5490
	Von Hitze und offenen Flammen fernhalten – nicht ins Feuer werfen
	Von Wasser fernhalten – nicht in Flüssigkeiten eintauchen

	Max. Temperatur
	DC-Spannung

BESTIMMUNGSGEMÄSSER GEBRAUCH DES ELEKTROWERKZEUGS

WARNUNG: Dieses Produkt ist ein kabelloses Handrührwerk und wurde für den Einsatz mit Evolution-Rührern entwickelt. Verwenden Sie ausschließlich für den Gebrauch mit dieser Maschine entwickeltes und/oder ausdrücklich von Evolution Power Tools Ltd empfohlenes Zubehör.

Mit geeignetem Rührer kann diese Maschine zum Mischen der folgenden Materialien verwendet werden:

Gips | Farbe | Mörtel | Klebstoff
Zement | Baumaterialien auf Pulverbasis

UNZULÄSSIGER GEBRAUCH DIESES ELEKTROWERKZEUGS

WARNUNG: Dieses Produkt ist ein von Hand betriebenes kabelloses Rührwerk und darf nicht anderweitig verwendet werden. Es dürfen keinerlei Modifikationen vorgenommen werden. Weiterhin darf die Maschine nicht mit anderer Ausrüstung oder anderem Zubehör als dem in dieser Betriebsanleitung erwähntem in Betrieb genommen werden.

Dieses Rührwerk darf keinesfalls für die Verarbeitung von Lebensmitteln verwendet werden.

WARNUNG: Diese Maschine ist nicht bestimmt zur Nutzung von Personen (einschließlich Kindern) mit eingeschränkten körperlichen, sensorischen bzw. geistigen Fähigkeiten, mangelnder Erfahrung bzw. fehlendem Wissen, sofern diese nicht durch eine für ihre Sicherheit verantwortliche Person beaufsichtigt werden bzw. Anweisungen für die sichere Nutzung der Maschine erhalten haben.

Kinder müssen beaufsichtigt werden, um sicherzustellen, dass sie keinen Zugang zu der Maschine haben und nicht mit ihr spielen.

ALLGEMEINE SICHERHEITSAUFEISERUNGEN FÜR ELEKTROWERKZEUGE

ALLGEMEINE SICHERHEITSAUFEISERUNGEN
(Diese Allgemeinen Sicherheitsanweisungen für Elektrowerkzeuge entsprechen EN 62841-1: 2015, UL Std. UL 62841-1 und CSA Std. C22.2 Nr. 62841-1).

WARNUNG: Lesen Sie alle Sicherheitswarnungen, Anweisungen, Abbildungen und Spezifikationen, die zusammen mit diesem Elektrowerkzeug geliefert werden. Die Nichtbeachtung der Warnhinweise und Anweisungen kann zu Stromschlag, Brand und/oder schweren Verletzungen führen.

Bewahren Sie alle Warnungen und Anweisungen zum späteren Nachschlagen auf. Der Begriff „Elektrowerkzeug“ in den Warnhinweisen bezieht sich auf Ihr netzbetriebenes (verkabeltes) Elektrowerkzeug oder Ihr akkubetriebenes (kabelloses) Elektrowerkzeug.

WARNUNG: Lesen Sie sorgfältig alle Warnhinweise und Anweisungen. Die Nichtbeachtung der Warnhinweise und Anweisungen kann zu Stromschlag, Brand und/oder schweren Verletzungen führen. Bewahren Sie alle Warnhinweise und Anweisungen zu Referenzzwecken auf. Der Begriff „Elektrowerkzeug“ in den Warnhinweisen bezieht sich auf Ihr netzbetriebenes (verkabeltes) Elektrowerkzeug oder Ihr akkubetriebenes (kabelloses) Elektrowerkzeug.

- 1) Allgemeine Sicherheitshinweise für Elektrowerkzeuge [Arbeitsplatzsicherheit]**
 - a) Sorgen Sie für einen sauberen und gut beleuchteten Arbeitsbereich.** Unordnung oder dunkle Arbeitsbereiche können zu Unfällen führen.
 - b) Betreiben Sie Elektrowerkzeuge nicht in explosionsgefährdeten Bereichen, z. B. in Gegenwart von brennbaren Flüssigkeiten, Gasen oder Stäuben.** Elektrowerkzeuge erzeugen Funken, die Staub oder Dämpfe entzünden können.
 - c) Halten Sie Kinder und umstehende Personen während des Betriebs des Elektrowerkzeugs fern.** Ablenkungen können dazu führen, dass Sie die Kontrolle über das Gerät verlieren.
- 2) Allgemeine Sicherheitswarnungen für Elektrowerkzeuge [Elektrische Sicherheit]**
 - a) Der Stecker des Elektrowerkzeugs muss zur Steckdose passen. Verändern Sie den Stecker niemals auf irgendeine Weise. Verwenden Sie keine Adapterstecker für geerdete Elektrowerkzeuge.** Nicht modifizierte Stecker und dazu passende Steckdosen verringern das Risiko eines Stromschlags.
 - b) Vermeiden Sie Körperkontakt mit geerdeten Oberflächen wie Rohren, Heizkörpern, Herden und Kühlschränken.** Das Risiko eines Stromschlags steigt, wenn Ihr Körper geerdet ist.
 - c) Setzen Sie Elektrowerkzeuge keinem Regen oder Nässe aus.** Das Eindringen von Wasser in ein Elektrowerkzeug erhöht das Risiko eines Stromschlags.
 - d) Zweckentfremden Sie das Kabel nicht. Verwenden Sie das Kabel niemals zum Tragen, trennen Sie das Gerät nicht durch Ziehen am Kabel vom Netz. Halten Sie das Kabel von Hitze, Öl, scharfen Kanten oder beweglichen Teilen fern.** Beschädigte oder verwickelte Kabel erhöhen das Risiko eines Stromschlags.
 - e) Wenn Sie ein Elektrowerkzeug im Freien betreiben, verwenden Sie ein Verlängerungskabel, das für den Außenbereich**

- geeignet ist.** Die Verwendung eines für den Außenbereich geeigneten Kabels verringert das Risiko eines Stromschlags.
- f) Ist die Verwendung des Elektrowerkzeugs in feuchter Umgebung unumgänglich, verwenden Sie eine Fehlerstrom-Schutzeinrichtung (R.C.D.).** Die Verwendung eines Fehlerstrom-Schutzschalters mindert das Risiko eines Stromschlags.
- 3) Allgemeine Sicherheitswarnungen für Elektrowerkzeuge [Persönliche Sicherheit].**
- a) Seien Sie beim Betrieb des Geräts immer aufmerksam und verantwortungsbewusst.** Verwenden Sie Elektrowerkzeuge nicht, wenn Sie müde sind oder unter dem Einfluss von Drogen, Alkohol oder Medikamenten stehen. Ein kurzer Moment der Unachtsamkeit beim Betrieb von Elektrowerkzeugen kann zu schweren Verletzungen führen.
 - b) Verwenden Sie persönliche Schutzausrüstung.** Tragen Sie immer einen Augenschutz. Das Tragen von Schutzausrüstung wie Staubmaske, rutschfesten Sicherheitsschuhen, Schutzhelm oder Gehörschutz verringert das Risiko von Verletzungen.
 - c) Verhindern Sie eine unbeabsichtigte Inbetriebnahme.** Vergewissern Sie sich, dass der Schalter ausgeschaltet ist, bevor Sie es an der Stromquelle und/oder an der Batterie anschließen, anheben oder transportieren. Das Transportieren von Elektrowerkzeugen mit dem Finger am Schalter oder die Aktivierung der Stromversorgung einer Maschine, deren Schalter in der Stellung „ON“ (An) steht, kann zu Unfällen führen.
 - d) Entfernen Sie alle Einstell- und sonstigen Schlüssel, bevor Sie das Elektrowerkzeug einschalten.** Schraubenschlüssel oder andere Schlüssel, die in sich bewegenden Teilen des Elektrowerkzeugs stecken, können körperliche Verletzungen verursachen.
 - e) Nicht übergreifen. Achten Sie stets auf guten Stand bzw. gute Balance.** Dadurch können Sie das Gerät in unerwarteten Situationen besser unter Kontrolle halten.
 - f) Tragen Sie angemessene Kleidung.** Tragen Sie keine weite Kleidung oder Schmuck. Halten Sie Ihre Haare, Kleidung und Handschuhe von beweglichen Teilen fern. Weite Kleidung, Schmuck oder langes Haar können sich in bewegenden Teilen verfangen.
 - g) Falls Vorrichtungen zum Absaugen und Sammeln von Staub vorhanden sind, schließen Sie diese an und verwenden Sie sie ordnungsgemäß.** Die Verwendung eines Staubabscheiders vermindert durch Staub verursachte Gefahren.
 - h) Eine im Laufe der Zeit gewonnene Vertrautheit mit dem Werkzeuggebrauch sollte nicht zu Sorglosigkeit und dem Ignorieren von Sicherheitshinweisen führen.** Eine Unachtsamkeit kann zu schweren Verletzungen in kürzester Zeit führen.
 - 4) Allgemeine Sicherheitswarnungen zum Elektrowerkzeug (Gebrauch und**

Instandhaltung].

- a) Wenden Sie keine Gewalt an dem Elektrowerkzeug an.** Verwenden Sie das richtige Elektrowerkzeug für Ihre Zwecke. Das richtige Elektrowerkzeug erledigt die Arbeit besser und sicherer mit der Geschwindigkeit, für die es entwickelt wurde.
- b) Verwenden Sie das Elektrowerkzeug nicht, wenn der Schalter nicht ein- und ausschaltet.** Jedes Elektrowerkzeug, das nicht mit dem Schalter gesteuert werden kann, ist gefährlich und muss repariert werden.
- c) Trennen Sie das Elektrowerkzeug von der Netzquelle und/oder der Batterie, bevor Sie Änderungen vornehmen, Zubehör auswechseln oder das Elektrowerkzeug lagern.** Derartige vorbeugende Sicherheitsmaßnahmen verringern das Risiko, dass das Elektrowerkzeug unbeabsichtigt startet.
- d) Bewahren Sie ungenutzte Elektrowerkzeuge außerhalb der Reichweite von Kindern auf und erlauben Sie Personen, die mit dem Elektrowerkzeug oder dieser Anleitung nicht vertraut sind, nicht, das Elektrowerkzeug zu bedienen.** Elektrowerkzeuge sind für ungeübte Bediener gefährlich.
- e) Warten Sie Elektrowerkzeuge.** Stellen Sie sicher, dass sich alle beweglichen Teile in der richtigen Position befinden, keine Teile gebrochen sind und keine sonstigen Fehler vorliegen, um den reibungslosen Betrieb des Geräts sicherzustellen. Wenn das Elektrowerkzeug beschädigt ist, lassen Sie es vor dem Gebrauch reparieren. Viele Unfälle werden durch schlecht gewartete Elektrowerkzeuge verursacht.
- f) Halten Sie die Schneidwerkzeuge scharf und sauber.** Entsprechend gewartete Schneidwerkzeuge mit scharfen Schneidkanten sind weniger anfällig für Verklebungen und lassen sich leichter kontrollieren.
- g) Verwenden Sie das Elektrowerkzeug, Zubehör und Werkzeugteile usw. in Übereinstimmung mit diesen Anweisungen unter Berücksichtigung der Arbeitsbedingungen und der auszuführenden Arbeit.** Die unzureichende Verwendung des Elektrowerkzeugs kann zu einer gefährlichen Situation führen.
- h) Halten Sie Handgriffe und Greifflächen trocken, sauber und frei von Öl und Fett.** Rutschige Griffe und Greifflächen verhindern die sichere Handhabung und Kontrolle des Werkzeugs in unerwarteten Situationen.
- 5) GEBRAUCH/INSTANDHALTUNG DES AKKUWERKZEUGS**
- a) Laden Sie nur mit dem vom Hersteller angegebenen Ladegerät auf.** Ein Ladegerät, das für einen Akkutyp geeignet ist, kann bei Verwendung mit einem anderen Akkutyp zu einer Brandgefahr werden.
- b) Verwenden Sie Elektrowerkzeuge nur mit den speziell dafür vorgesehenen Akkus.** Die

Verwendung anderer Akkus kann zu Verletzungen und Bränden führen.

c) Wenn das Akkupack nicht benutzt wird, halten Sie es von anderen Metallgegenständen wie Büroklammern, Münzen, Schlüsseln, Nägeln, Schrauben oder anderen kleinen Metallgegenständen fern, die eine Verbindung von einem Pol zum anderen herstellen können. Das Kurzschließen der Akkupole kann zu Verbrennungen oder einem Brand führen.

d) Unter ungünstigen Bedingungen kann Flüssigkeit aus dem Akku austreten; vermeiden Sie den Kontakt. Bei versehentlichem Kontakt mit Wasser spülen. Falls die Flüssigkeit in die Augen gelangt, suchen Sie zusätzlich einen Arzt auf. Flüssigkeit, die aus dem Akku austritt, kann Reizungen oder Verbrennungen verursachen.

e) Verwenden Sie keine beschädigten oder modifizierten Akkus oder Werkzeuge. Beschädigte oder modifizierte Akkus könnten unberechenbar sein und zu Feuer, Explosion oder Verletzungsgefahr führen.

f) Setzen Sie Akkus oder Werkzeuge keinem Feuer oder überhöhten Temperaturen aus. Bei Feuer oder Temperaturen über 130 °C besteht Explosionsgefahr.

Hinweis: Die Temperatur „130 °C“ entspricht der Temperatur „265 °F“.

g) Befolgen Sie alle Ladeanweisungen und laden Sie die Akkus oder das Werkzeug nicht außerhalb des in den Anweisungen angegebenen Temperaturbereichs. Unsachgemäßes Laden oder Laden bei Temperaturen außerhalb des angegebenen Bereichs kann den Akku beschädigen und erhöht die Brandgefahr.

6) Wartung

a) Lassen Sie Ihr Elektrowerkzeug von qualifiziertem Fachpersonal warten, das nur identische Ersatzteile verwendet. Dadurch wird die fortwährende Sicherheit des Elektrowerkzeugs gewährleistet.

b) Warten Sie niemals beschädigte Akkus. Die Wartung von Akkus sollte nur vom Hersteller oder von autorisierten Dienstleistern durchgeführt werden.

Sicherheitsanweisungen für das Rührwerk

a) Halten Sie das Werkzeug mit beiden Händen an den vorgesehenen Griffen. Ein Kontrollverlust kann zu Verletzungen führen.

b) Achten Sie auf eine ausreichende Belüftung beim Mischen von brennbaren Stoffen, um eine gefährliche Atmosphäre zu vermeiden. Entstehender Dampf kann eingeatmet oder von den Funken, die das Elektrowerkzeug erzeugt, entzündet werden.

c) Mischen Sie keine Lebensmittel. Elektrowerkzeuge und deren Zubehör sind nicht für

die Verarbeitung von Lebensmitteln vorgesehen.

d) Stellen Sie sicher, dass der Mischbehälter sicher und stabil positioniert ist, um zu vermeiden, dass der Behälter sich dreht. Ein Behälter, der nicht ordnungsgemäß gesichert ist, kann sich unerwartet bewegen.

e) Stellen Sie sicher, dass keine Flüssigkeit an das Gehäuse des Elektrowerkzeugs spritzt. In das Elektrowerkzeug eingedrungene Flüssigkeit kann zu Schäden führen und einen elektrischen Schlag verursachen.

f) Befolgen Sie die Anweisungen und beachten Sie die Warnungen für das zu mischende Material. Das zu mischende Material kann schädlich sein.

g) Wenn das Elektrowerkzeug in das zu mischende Material fällt, entfernen Sie sofort den Akku aus dem Gerät und lassen Sie das Elektrowerkzeug von qualifiziertem Fachpersonal prüfen.

h) Fassen Sie während des Mischvorgangs nicht mit den Händen in den Mischbehälter und halten Sie keine anderen Gegenstände in den Behälter. Das Berühren des Rührkorbs kann zu schweren Verletzungen führen.

i) Schalten Sie das Werkzeug ein führen Sie nur das Werkzeug in den Mischbehälter ein. Der Rührkorb kann sich auf unkontrollierte Weise verbiegen oder drehen.

GESUNDHEITSHINWEISE

WARNUNG: Bei Arbeiten mit dieser Maschine können Staubpartikel entstehen. Abhängig von den Materialien, mit denen Sie arbeiten, kann dieser Staub in einigen Fällen besonders schädlich sein. Wenn Sie den Verdacht haben, dass die Farbe auf der Oberfläche des zu schneidenden Materials Blei enthält, wenden Sie sich an einen Fachmann. Auf Blei basierte Farben sind von professionellen Fachkräften zu entfernen. Von Selbstversuchen ist abzuraten. Hat sich der Staub auf Oberflächen abgesetzt, kann Hand-Mund-Kontakt zur Aufnahme von Blei führen. Schon geringe Mengen an Blei können unwiderrufliche Schäden an Hirn und Nervensystem verursachen. Kinder und Jugendliche sowie ungeborene Kinder sind besonders gefährdet.

Es wird empfohlen, die mit den Materialien, mit denen Sie arbeiten, verbundenen Risiken zu berücksichtigen und das Expositionsrisiko zu verringern. Da einige Materialien gesundheitsschädlichen Staub erzeugen können, empfehlen wir die Verwendung einer zugelassenen Gesichtsmaske mit austauschbaren Filtern, wenn Sie dieses Gerät verwenden.

Sie sollten stets:

- in gut gelüfteten Bereichen arbeiten.
- geprüfte Schutzausrüstung tragen, z. B. Staubmasken für die Filterung mikroskopisch kleiner Partikel.

WARNUNG: Bei der Arbeit mit Elektrowerkzeugen können Objekte in Richtung Ihrer Augen geschleudert werden. Dies kann zu schweren Verletzungen der Augen führen. Tragen Sie vor Inbetriebnahme des Elektrowerkzeugs immer eine Sicherheitsbrille oder eine Schutzbrille mit seitlichem Schutz oder wenn notwendig einen Gesichtsschutz.

ZUSÄTZLICHE SICHERHEITSHINWEISE

- Es muss ein geeigneter industrieller Mischbehälter, idealerweise aus Kunststoff, bereitgestellt und auf einer sicheren und stabilen, horizontalen Oberfläche aufgestellt werden.
- Der Bediener hat einen sicheren Stand mit beiden Beinen fest auf dem Boden und in leichtem Abstand zueinander einzunehmen. Diese Maschine muss zudem mit beiden Händen betrieben werden. Die Maschine kann nicht „einhändig“ bedient werden.
- Der Bediener sollte bei der Verwendung dieser Maschine eng anliegende Arbeitskleidung oder einen passenden Blaumann tragen. Locker sitzende Kleidung kann sich in den beweglichen Teilen der Maschine verfangen und somit eine Gefahr darstellen.
- Vor dem Betrieb dieser Maschine sind loser Schmuck, Ketten usw. abzunehmen und sicher zu verwahren. Loser Schmuck kann sich in den beweglichen Teilen der Maschine verfangen und somit eine Gefahr darstellen.
- Der Bediener muss diese Maschine sicher an den isolierten Griffen festhalten. Diese verfügen über eine ergonomische Greiffläche.
- Schutzbrille oder Vollmaske sind stets zu tragen, um den Bediener vor Materialien zu schützen, die während des Mischvorgangs aus dem Mischbehälter herausgeschleudert werden könnten.
- Zum Schutz vor Materialien, die insbesondere während des anfänglichen Mischvorgangs aus dem Mischbehälter herausgeschleudert werden könnten, ist eine Staubmaske zu tragen.
- Die Maschine darf nur mit dem Rührer im Mischbehälter eingeschaltet werden. Schalten Sie die Maschine mit der niedrigsten Drehzahl ein und erhöhen Sie die Drehzahl kontinuierlich, bis die optimale Mischleistung erreicht wurde.
- Der Bediener darf niemals in den Mischbehälter fassen oder andere Gegenstände oder Werkzeuge in den Mischbehälter halten, während der Mischvorgang im Gange ist.
- Diese Maschine darf nicht in Umgebungen mit einer explosionsgefährdeten Atmosphäre verwendet werden. Dazu zählen Fabriken, Garagen und sonstige geschlossene Räume (Bäckereien, Getreidespeicher usw.), in denen beträchtliche Mengen an Schwebstaub oder

- sonstigen Schwebeteilchen in der Luft vorliegen.
- Diese Maschine darf nicht zum Mischen jeglicher leicht entflammbarer Lösungsmittel oder von Lösungsmitteln verwendet werden, die Stoffe mit einem Flammpunkt von unter 21 °C enthalten.
- Wenn die Maschine während des Betriebs zwischenzeitlich abgelegt werden soll (auf einer horizontalen Arbeitsoberfläche), hat der Bediener sicherzustellen, dass die Maschine auf ihren Griffen abgelegt wird. Der Rührer muss dabei einen dritten Berührungspunkt mit der Oberfläche bilden.

ERSTE SCHRITTE - AUSPACKEN

Vorsicht: Diese Verpackung enthält scharfe Gegenstände. Lassen Sie beim Auspacken Vorsicht walten. Entnehmen Sie die Maschine sowie das im Lieferumfang enthaltene Zubehör der Verpackung. Überprüfen Sie sorgfältig, ob die Maschine in gutem Zustand ist, und berücksichtigen Sie dabei das gesamte in dieser Anleitung aufgeführte Zubehör. Stellen Sie ebenfalls sicher, dass alle Zubehörteile vollständig sind. Fehlen Teile, geben Sie die Maschine zusammen mit dem Zubehör in Originalverpackung beim Einzelhändler ab. Entsorgen Sie die Verpackung nicht; bewahren Sie sie während der Garantiefrist sicher auf. Entsorgen Sie die Verpackung umweltfreundlich. Recyceln Sie sie nach Möglichkeit.

Lassen Sie niemals Kinder mit leeren Plastiktüten spielen, es besteht Erstickungsgefahr.

IM LIEFERUMFANG ENTHALTENE TEILE

Beschreibung	087-0001, 087-0001-K, 087-0004,	087-0001A, 087-0001-AK, 087-0001B, 087-0001BK, 087-0001C, 087-0004A
Betriebsanleitung	✓	✓
Kabelloses Rührwerk Motoreinheit	✓	✓
120 mm Wendel-Rührer (Mischvorgang von unten nach oben)	✓	✓
Rührer-Maulschlüssel	✓	✓
2 Ah Akku		✓
4 Ah Akku		
5 Ah Akku		✓
8 Ah Akku		
Ladegerät für einen Akku		✓
Ladegerät für zwei Akkus		

ZUSÄTZLICHES ZUBEHÖR

Neben den im Lieferumfang dieser Maschine enthaltenen Standardartikeln sind zudem die folgenden Zubehörteile über den Evolution-Online-Shop unter www.evolutionpowertools.com oder bei Ihrem örtlichen Händler erhältlich.

Beschreibung	Teile-Nr.
Paralleler Rührer 120 mm	123-0001
Spiralförmiger Rührer 120 mm	123-0002
Wendel-Rührer 120 mm (Mischvorgang von unten nach oben)	123-0003
Wendel-Rührer 120 mm (Mischvorgang von oben nach unten)	123-0004
Wendel-Rührer 140 mm (Mischvorgang von unten nach oben)	123-0005

WARNING: Die Verwendung von Zubehör, das nicht von Evolution Power Tools Ltd. angeboten wird, wurde nicht mit diesem Produkt getestet und kann daher Gefahren mit sich bringen. Um das Risiko von Verletzungen zu verringern, sollte nur von Evolution empfohlenes Zubehör mit diesem Produkt verwendet werden.

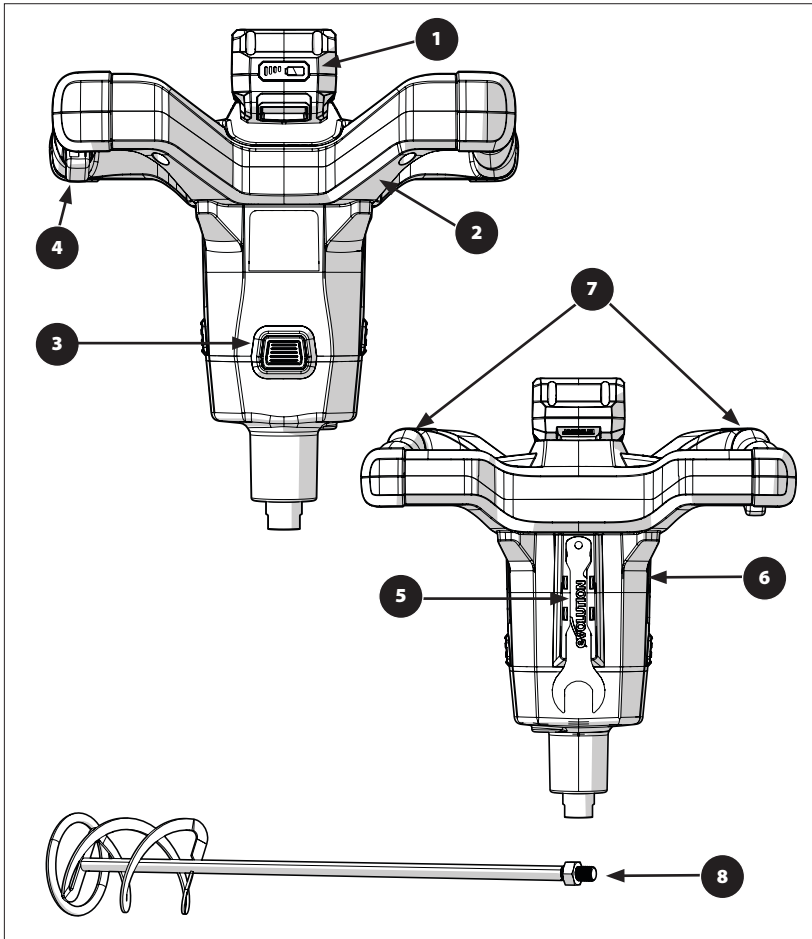
DE

EMPFOHLENE AKKUS/LADEGERÄTE

Beschreibung	Teile-Nr.	
2 Ah Akku	R18BAT-Li2, R20BAT-Li2	EBAT18-Li-2
4 Ah Akku	R18BAT-Li4, R20BAT-Li4	EBAT18-Li-4, EHPB18-Li-4
5 Ah Akku	R18BAT-Li5, R20BAT-Li5	EBAT18-Li-5
8 Ah Akku	R18BAT-Li8, R20BAT-Li8	EHPB18-Li-8
R18RCH-Li1-Ladegerät für einen Akku	R18RCH-Li1, R20RCH-Li1	EFC18-Li
R18RCH-Li2 - Ladegerät für zwei Akkus	R18RCH-Li2, R20RCH-Li2	EMC18-Li

Wenn Sie beabsichtigen, einen Akku über einen längeren Zeitraum zu lagern, ohne ihn zu benutzen, dann lagern Sie ihn bei Raumtemperatur (0 °C bis 20 °C). Wenn Sie den Akku über einen sehr langen Zeitraum lagern, laden Sie ihn einmal pro Jahr auf, um eine Überentladung zu verhindern: 0 °C bis 40 °C: Die Ladetemperatur: 5 °C bis 40 °C

R120MXR-Li MASCHINENÜBERSICHT



1. AKKUPACK
2. LED-ARBEITSLEUCHE
3. DORNVERRIEGELUNGSKNOPF
4. AUSLÖSER MIT VARIABLER GESCHWINDIGKEIT
5. INTEGRIERTE WERKZEUGABLAGE
6. MOTOREINHEIT
7. GRIFFE
8. RÜHRER

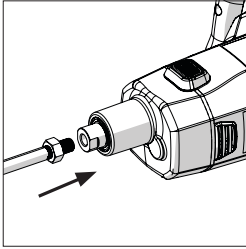


Abb. 1

MONTAGE

Der Rührer

Hinweis: Das Rührwerk von Evolution wird mit einem Mehrzweck-Rührer geliefert.

Einsetzen und Entfernen des Rührers (Abb. 1)

- 1) Das Rührergewinde durch Drehen im Uhrzeigersinn in die Welle einführen.
- 2) Ziehen Sie den Rührer fest, indem Sie den Dornverriegelungsknopf drücken und halten und den Rührer mit dem mitgelieferten Schraubenschlüssel im Uhrzeigersinn festziehen.
- 3) Um den Rührer zu entfernen, drücken und halten Sie den Dornverriegelungsknopf und verwenden Sie den mitgelieferten Maulschlüssel und gehen Sie in umgekehrter Reihenfolge vor.

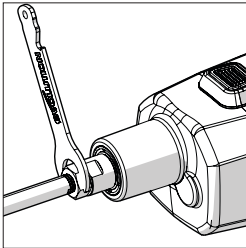


Abb. 2

Hinweis: Die Spindel (Abb. 2) der Maschine ragt aus der Motoreinheit heraus und verfügt über zwei eingearbeitete Vertiefungen, in die der mitgelieferte Maulschlüssel gelegt wird. Im innen liegenden Loch der Spindel befindet sich ein 14-mm-Gewinde. Dieses Innengewinde ist das Pendant zum 14-mm-Gewinde an der Welle des Rührers. Der Rührer muss auf die Maschinenspindel geschraubt und sicher festgezogen werden.

Handposition

WARNUNG: Um die Gefahr von schweren Verletzungen zu verringern, halten Sie die Maschine **IMMER** mit beiden Händen an den dafür vorgesehenen Griffen, nehmen Sie einen sicheren Stand ein und konzentrieren Sie sich auf die Arbeit. Ein umgekehrtes Drehmoment an den Griffen kann zu einem Kontrollverlust und zu Verletzungen führen.

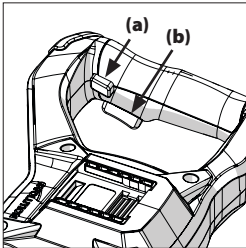


Abb. 3

BETRIEBSANLEITUNG

So installieren/entfernen Sie den Akku

Zum Einsetzen des Akkus schieben Sie diesen fest in das Gerät, bis Sie ein Klicken hören. So wird sichergestellt, dass der Akku vollständig eingesetzt und eingerastet ist. Um den Akku zu entnehmen, drücken Sie den Akku-Entriegelungsknopf und ziehen Sie den Akku aus dem Gerät.

Betrieb des Rührwerks und der variablen Drehzahlregelung

- Verwenden Sie dieses Gerät nicht zum Rühren oder Pumpen von leicht brennbaren oder explosiven Flüssigkeiten (Benzin, Alkohol usw.)
- Mischen oder rühren Sie keine entflammaren Flüssigkeiten, die entsprechend gekennzeichnet sind.
- Überprüfen Sie immer die Warnhinweise zur Entflammbarkeit auf jedem Produkt, bevor Sie versuchen, es zu mischen.
- Sichern Sie den Mischbehälter gegen Umkippen.
- Tragen Sie immer eine Schutzbrille, Handschuhe und eine Atemschutzmaske, wenn Sie mit dem Gerät arbeiten.
- Tragen Sie bei länger dauernden Arbeiten einen Gehörschutz. Ein hoher Lärmpegel über einen längeren Zeitraum kann Ihr Gehör schädigen.

Hinweis: Der Auslöseschalter befindet sich ergonomisch optimal an der Unterseite des rechten Griffs.

- 1) Den Sicherheitssperrknopf (Abb. 3a) drücken und gedrückt halten, dann den Auslöser drücken (Abb. 3b)
- 2) Drücken Sie den Auslöser, um die Drehgeschwindigkeit zu erhöhen.
- 3) Zum Ausschalten lassen Sie den Auslöseschalter los.

Während des Rührvorgangs sollten Sie den Rührer im Behälter umherbewegen, um eine gleichmäßigere Rührleistung zu erzielen. Fahren Sie fort, bis das gesamte Material vollständig verrührt ist.

Vorsicht: Falls das Rührwerk während des Betriebs mit der Oberfläche des Behälters in Berührung kommt, kann es zu einem Rückschlag kommen.

Vorsicht: Verringern Sie IMMER die Geschwindigkeit, wenn Sie das Rührwerk in das Material eintauchen oder es anheben. Sobald der Rührer vollständig eingetaucht ist, erhöhen Sie die Geschwindigkeit wieder, um sicherzustellen, dass der Motor ausreichend gekühlt wird.

LED-Arbeitsleuchte

Sobald der Auslöseschalter gedrückt wird, leuchtet die LED-Arbeitsleuchte auf.

FEHLERBEHEBUNG

Überlastungsschutz: Die Maschine hat sich automatisch abgeschaltet. Die Maschine ist zu heiß! Lassen Sie die Maschine im Leerlauf arbeiten, bis sie sich abgekühlt hat.

INSTANDHALTUNG

WARNUNG: Um die Gefahr schwerer Verletzungen zu verringern, schalten Sie die Maschine aus und entfernen Sie den Akku, bevor Sie Einstellungen vornehmen oder Zubehörteile entfernen/anbringen.

Reinigen Sie die Maschine und den Rührer sofort nach dem Gebrauch.

Verwenden Sie ein sauberes, angefeuchtetes Tuch, um die Plastikteile der Maschine zu reinigen. Verwenden Sie keine Lösungsmittel o. ä., die die Plastikteile beschädigen könnten.

Übermäßige Funkenbildung kann ein Hinweis auf Schmutz im Motor oder abgenutzte Kohlebürsten sein.

Sollte dies vermutet werden, so ist die Maschine von einem qualifizierten Techniker zu warten, um die Bürsten auszuwechseln zu lassen.

UMWELTSCHUTZ

Werfen Sie Elektrowerkzeuge niemals in Ihren Hausmüll.

Gemäß der europäischen Richtlinie 2012/19/EU über Elektro- und Elektronik-Altgeräte und deren Umsetzung in nationales Recht müssen alte Elektrowerkzeuge von anderen Abfällen getrennt und umweltgerecht entsorgt werden, z. B. durch Abgabe an einen Recyclinghof.

Recycling als Alternative zur Rückgabe:

Als Alternative zur Rückgabe des Geräts an den Hersteller muss der Besitzer des Elektrogeräts dafür sorgen, dass das Gerät ordnungsgemäß entsorgt wird, wenn er es nicht mehr behalten will. Das Altgerät kann bei einer geeigneten Sammelstelle abgegeben werden, die das Gerät gemäß den nationalen Recycling- und Abfallentsorgungsvorschriften entsorgt. Dies gilt nicht für Zubehör oder Hilfsmittel ohne elektrische Bauteile, die mit dem Altgerät geliefert wurden.

Umweltschäden durch falsche Entsorgung der Batterien/Akkus.

Batterien/Akkus dürfen nicht über den normalen Hausmüll entsorgt werden. Sie können giftige Schwermetalle enthalten und unterliegen den Vorschriften für die Behandlung von Sondermüll. Bitte entsorgen Sie die Akkus entsprechend den örtlichen Vorschriften.

Nehmen Sie den Akku vor der Entsorgung aus dem Produkt heraus.



EG-KONFORMITÄTSERKLÄRUNG



Der Hersteller des von dieser Konformitätserklärung gedeckten Produktes ist:

UK: Evolution Power Tools, Venture One, Longacre Close, Holbrook Industrial Estate, Sheffield, S20 3FR.

FR: Evolution Power Tools SAS. 61 Avenue Lafontaine, 33560, Carbon-Blanc, Bordeaux, Frankreich.

Hiermit erklärt der Hersteller, dass die Maschine wie in dieser Erklärung dargestellt allen relevanten Auflagen der Maschinenrichtlinie und anderer betreffender weiter unten ausgeführten Richtlinien entspricht.

Hiermit erklärt der Hersteller ferner, dass die in dieser Erklärung angegebene Maschine, wo zutreffend, die relevanten Bestimmungen des grundlegenden Arbeitsschutzes erfüllt.

Die in dieser Erklärung berücksichtigten Richtlinien lauten wie folgt:

2006/42/EC.	Maschinenrichtlinie.
2014/30/EC.	Richtlinie zur elektromagnetischen Verträglichkeit.
2011/65/EU. & 2015/863/EU.	Richtlinie zur Beschränkung der Verwendung bestimmter gefährlicher Stoffe in Elektro- und Elektronikgeräten (RoHS).
2012/19/EU.	Richtlinie über Elektro- und Elektronik-Altgeräte (so genannte WEEE-Richtlinie).

Und erfüllt die zutreffenden Vorgaben der folgenden Dokumente:

EN 62841-1:2015 • EN 62841-2-10:2017 • EN 55014-1:2017+A11:2020 • EN IEC 55014-1-2021 • EN IEC 55014-2-2021

Produktdetails

Beschreibung:	R120MXR-Li KABELLOSES RÜHRWERK
Produktcode:	087-0001
Markenname:	EVOLUTION
Spannung:	18 d.c.

Die notwendigen technischen Unterlagen, um zu belegen, dass dieses Produkt den Anforderungen der Richtlinie entspricht, wurden von der zuständigen Vollzugsbehörde eingefordert und können dort zur Inspektion eingesehen werden. Diese Unterlagen belegen, dass unser technisches Verzeichnis die oben aufgeführten Dokumente enthält und dass diese den korrekten Normen für dieses Produkt, wie oben aufgeführt, entsprechen.

Name und Adresse der für das technische Verzeichnis verantwortlichen Person.

Unterschrift:  Druck: Barry Bloomer - CEO

Datum: 22.03.22

UK: Evolution Power Tools, Venture One, Longacre Close, Holbrook Industrial Estate, Sheffield, S20 3FR.

FR: Evolution Power Tools SAS. 61 Avenue Lafontaine, 33560, Carbon-Blanc, Bordeaux, Frankreich.

EG-KONFORMITÄTSERKLÄRUNG



Der Hersteller des von dieser Konformitätserklärung gedeckten Produktes ist:

UK: Evolution Power Tools, Venture One, Longacre Close, Holbrook Industrial Estate, Sheffield, S20 3FR.

FR: Evolution Power Tools SAS. 61 Avenue Lafontaine, 33560, Carbon-Blanc, Bordeaux, Frankreich.

Hiermit erklärt der Hersteller, dass die Maschine wie in dieser Erklärung dargestellt allen relevanten Auflagen der Maschinenrichtlinie und anderer betreffender weiter unten ausgeführten Richtlinien entspricht.

Hiermit erklärt der Hersteller ferner, dass die in dieser Erklärung angegebene Maschine, wo zutreffend, die relevanten Bestimmungen des grundlegenden Arbeitsschutzes erfüllt.

Die in dieser Erklärung berücksichtigten Richtlinien lauten wie folgt:

- UK Richtlinie Verordnung zur Lieferung von Maschinen (Sicherheit) 2008;**
- UK Richtlinie Verordnungen zur elektromagnetischen Verträglichkeit 2016;**
- UK Richtlinie Verordnung zur Beschränkung der Verwendung bestimmter gefährlicher Stoffe in Elektro- und Elektronikgeräten 2012**
- UK Richtlinie Verordnung zur Entsorgung als Elektro- und Elektronikschrott 2013**

Und erfüllt die zutreffenden Vorgaben der folgenden Dokumente:

- BS EN 62841-1:2015 • BS EN 62841-2-10: 2017;**
- BS EN IEC 55014-1-2021 • BS EN IEC 55014-2-2021**

Produktdetails

Beschreibung:	R120MXR-Li KABELLOSES RÜHRWERK
Produktcode:	087-0001
Markenname:	EVOLUTION
Spannung:	18 d.c.

Die notwendigen technischen Unterlagen, um zu belegen, dass dieses Produkt den Anforderungen der Richtlinie entspricht, wurden von der zuständigen Vollzugsbehörde eingefordert und können dort zur Inspektion eingesehen werden. Diese Unterlagen belegen, dass unser technisches Verzeichnis die oben aufgeführten Dokumente enthält und dass diese den korrekten Normen für dieses Produkt, wie oben aufgeführt, entsprechen.

Name und Adresse der für das technische Verzeichnis verantwortlichen Person.

Unterschrift:  Druck: Barry Bloomer - CEO

Datum: 22.03.22

UK: Evolution Power Tools, Venture One, Longacre Close, Holbrook Industrial Estate, Sheffield, S20 3FR.
FR: Evolution Power Tools SAS. 61 Avenue Lafontaine, 33560, Carbon-Blanc, Bordeaux, Frankreich.

IMPORTANTE

Lea estas instrucciones de manejo y seguridad detenidamente y en su totalidad.

Por su propia seguridad, si no está seguro de algún aspecto relacionado con el uso de este equipo, póngase en contacto con el servicio de asistencia técnica pertinente. Encontrará el número de teléfono en la página web de Evolution Power Tools.

Nuestra organización dispone de varios teléfonos de soporte en todo el mundo, aunque su proveedor también puede ofrecerle asistencia técnica.

WEB

www.evolutionpowertools.com

CORREO ELECTRÓNICO**Reino Unido:**

customer.services@evolutionpowertools.com

EE. UU.:

evolutioninfo@evolutionpowertools.com

GARANTÍA

Enhorabuena por adquirir una máquina de Evolution Power Tools. Por favor, complete el registro de su producto en línea tal y como se indica en el folleto adjunto a esta máquina. De esta manera, validará el periodo de garantía de su máquina a través de la página web de Evolution al introducir sus datos y, así, dispondrá de un servicio rápido si fuera necesario.

Le agradecemos sinceramente que haya escogido un producto de Evolution Power Tools.

Evolution Power Tools se reserva el derecho a hacer mejoras y modificaciones en el diseño del producto sin previo aviso.

Por favor, consulte el folleto de registro de garantía y/o el embalaje para obtener más detalles acerca de los términos y condiciones de la garantía.

ESPECIFICACIONES

DE LA MÁQUINA R120MXR-LI	REINO UNIDO/UE/AUS	EE. UU.
Código de producto	087-0001, 087-0001-K, 087-0001A-K, 087-0001A, 087-0001B, 087-0001B-K, 087-0001C	087-0004, 087-0004A
Las herramientas eléctricas	18 V CC	20 V CC
Velocidad sin carga	0-650 min ⁻¹	0-650 rpm
Peso sin varilla (sin batería)	3,9 kg	8,6 lbs
Peso con varilla (sin batería)	5,1 kg	11,2 lbs
Máx. capacidad	40 l	
Tamaño de varilla (suministrada)	120 mm	4-11/16"
Accesorio de varilla	14 mm (hembra)	8/16"
Varilla suministrada	Varilla multiusos de hélice de 120 mm (4-11/16")	

DATOS DE RUIDO Y VIBRACIÓN

Nivel de potencia acústica (L _{WA})	18 V/20 V: L _{WA} : 90,5 dB(A), K _{WA} : 3 dB(A)
Nivel de presión acústica (L _{pA})	18/20 V:L _{pA} : 79,5 dB(A), K _{pA} : 3 dB(A)
Vibración (m/seg ²) Mango izquierdo	18/20 V: a _h = 1,777 m/s ² Incertidumbre K=1,5 m/s ²
Vibración (m/seg ²) Mango derecho	18/20 V: a _h = 1,655 m/s ² Incertidumbre K=1,5 m/s ²

Nota: la medición de la vibración se ha realizado en condiciones normales conforme a las normas

EN 62841-1: 2015, EN 62841-2-10:2017

El valor total de vibración declarado se ha medido según un método de pruebas estándar y puede usarse para comparar una herramienta con otra.

El valor total de vibración declarado también sirve para una evaluación previa de la exposición.

VIBRACIÓN

ADVERTENCIA: durante el uso de esta máquina, el operador puede verse expuesto a altos niveles de vibración que se transmiten a la mano y al brazo. Es posible que el operador pueda desarrollar la «enfermedad de los dedos blancos por vibración» (síndrome de Raynaud). Esta enfermedad puede reducir la sensibilidad de la mano a la temperatura, así como producir entumecimiento general. Los usuarios que utilicen esta máquina de manera prolongada o regular deben controlar de cerca el estado de sus manos y dedos. Si aparece alguno de los síntomas, busque atención médica inmediata.

- La medición y la evaluación de la exposición humana a las vibraciones transmitidas por la mano en el lugar de trabajo se indican en: EN 62841-1 y EN 62841-2-10
- Muchos factores pueden influir en el nivel de vibración real durante el funcionamiento, p. ej., el estado y la orientación de las superficies de trabajo, y el tipo y el estado de la máquina que se está utilizando. Antes de cada uso, se deben evaluar dichos factores y adoptar prácticas de trabajo adecuadas siempre que sea posible. Controlar estos factores puede ayudar a reducir los efectos de la vibración:

Manipulación

- Manipule la máquina con cuidado, dejando que esta haga el trabajo.
- Evite usar un esfuerzo físico excesivo en cualquiera de los controles de la máquina.
- Tenga en cuenta su seguridad y estabilidad, y la orientación de la máquina durante su uso.

Superficie de trabajo

- Tenga en cuenta el material de la superficie de trabajo; su estado, densidad, resistencia, rigidez y orientación.




ADVERTENCIA: la emisión de vibraciones al usar la herramienta eléctrica puede variar del valor total declarado en función de la forma en la que se use la herramienta. La necesidad de identificar medidas de seguridad y de proteger al operario se basa en una estimación de las condiciones reales de uso (teniendo en cuenta todas las partes del ciclo operativo, como las veces que se desconecta la máquina o está en reposo, además del tiempo de exposición a la misma).

ETIQUETAS Y SÍMBOLOS

ADVERTENCIA: no utilice la máquina si faltan etiquetas de instrucciones y/o advertencia, o si están dañadas. Póngase en contacto con Evolution Power Tools para sustituir las etiquetas.

Nota: todos o algunos de los siguientes símbolos pueden aparecer en el manual o en el producto.

Símbolo	Descripción
V	Voltios
A	Amperios
Min ⁻¹ /rpm	Velocidad
~	Corriente alterna
n ₀	Velocidad sin carga
	Utilice gafas protectoras
	Utilice protección auditiva
	Utilice protección contra el polvo
	Lea las instrucciones
	Doble aislamiento
	Certificado CE
	Certificado UKCA
	Certificado TUV SUD
	Residuos de aparatos eléctricos y electrónicos
	Triman: recogida y reciclado de residuos
	Advertencia
	Marca de cumplimiento de la normativa (RCM) para equipos eléctricos y electrónicos. Norma de Australia/Nueva Zelanda
	Mantener lejos del calor y las llamas abiertas. No desechar en fuego

	Mantener lejos del agua. No sumergir en líquidos
	Temperatura máx.
	Tensión CC

USO PREVISTO DE ESTA HERRAMIENTA ELÉCTRICA

ADVERTENCIA: este producto es una mezcladora de varilla inalámbrica de uso manual y ha sido diseñada para usarse con varillas de mezcla de Evolution. Utilice solamente accesorios diseñados para el uso de esta máquina y/o aquellos recomendados específicamente por Evolution Power Tools Ltd.

Equipada con una varilla adecuada, esta máquina se puede usar para mezclar:

Yeso | Pintura | Mortero | Adhesivo
Cemento | Productos de construcción en polvo

USO PROHIBIDO DE ESTA HERRAMIENTA ELÉCTRICA

ADVERTENCIA: este producto es una mezcladora de varilla inalámbrica de uso manual y solo debe usarse como tal. No debe modificarse de ninguna manera, ni usarse para alimentar ningún otro equipo, ni accionar accesorios no especificados en este manual de instrucciones.

Esta mezcladora no debe usarse para la preparación de ningún material alimentario.

ADVERTENCIA: esta máquina no está diseñada para ser utilizada por personas (niños incluidos) con capacidades físicas, sensoriales o mentales reducidas o con falta de experiencia y conocimientos, a no ser que hayan sido supervisadas o instruidas en el uso seguro de la máquina por una persona responsable de su seguridad y competente en el uso seguro de esta. Debe supervisarse a los niños para asegurarse de que no tienen acceso a la máquina ni pueden jugar con ella.

INSTRUCCIONES GENERALES DE SEGURIDAD
INSTRUCCIONES DE SEGURIDAD

(2.1) INSTRUCCIONES GENERALES DE SEGURIDAD

(Estas instrucciones generales de seguridad para herramientas eléctricas se especifican en las normas EN 62841-1: 2015, UL Std. UL 62841-1 y CSA Std. C22.2 n.º 62841-1).

ADVERTENCIA: lea todas las advertencias de seguridad, instrucciones, ilustraciones y especificaciones suministradas con esta herramienta eléctrica. El incumplimiento de las advertencias e instrucciones puede provocar una descarga eléctrica, incendios y/o lesiones graves.

Conserve todas las advertencias e instrucciones para poder consultarlas en el futuro.

El término «herramienta eléctrica» de las advertencias se refiere a la herramienta alimentada por la red eléctrica (con cable) o con baterías (inalámbrica).

ADVERTENCIA: lea todas las advertencias e instrucciones de seguridad. El incumplimiento de las advertencias e instrucciones puede provocar una descarga eléctrica, incendios y/o lesiones graves.

Conserve todas las advertencias e instrucciones para poder consultarlas en el futuro. El término «herramienta eléctrica» de las advertencias se refiere a la herramienta alimentada por la red eléctrica (con cable) o con baterías (inalámbrica).

1) Advertencias generales de seguridad para herramientas eléctricas [Seguridad de la zona de trabajo]

- a) Mantenga la zona de trabajo limpia y bien iluminada.** Las zonas desordenadas u oscuras pueden provocar accidentes.
- b) No utilice las herramientas eléctricas en atmósferas explosivas como, por ejemplo, en presencia de líquidos inflamables, gases o polvo.** Las herramientas eléctricas producen chispas que pueden incendiar el polvo o los gases.
- c) Mantenga a los niños y a otras personas alejados cuando utilice una herramienta eléctrica.** Las distracciones pueden hacerle perder el control.

2) Advertencias generales de seguridad para herramientas eléctricas [Seguridad eléctrica]

- a) Los enchufes de la herramienta eléctrica deben adaptarse a las tomas de corriente. No modifique el enchufe de ningún modo. No utilice adaptadores de enchufe con herramientas eléctricas que tienen conexión a tierra.** Si las tomas de corriente coinciden y los enchufes no se modifican, se reduce el riesgo de que se produzca una descarga eléctrica.
- b) Evite el contacto corporal con superficies conectadas a tierra tales como tuberías, radiadores, cocinas eléctricas y refrigeradores.** El riesgo de descarga eléctrica aumenta si su cuerpo está conectado a tierra.
- c) No exponga las herramientas eléctricas a la lluvia o a la humedad.** Si entra agua en una herramienta eléctrica, aumenta el riesgo de

descarga eléctrica.

d) No utilice el cable de forma incorrecta. Nunca utilice el cable para transportar, arrastrar o desenchufar la herramienta eléctrica.

Mantenga el cable lejos del calor, del aceite, de esquinas cortantes o de piezas móviles. Los cables dañados o enredados aumentan el riesgo de descarga eléctrica.

e) Cuando trabaje con una herramienta eléctrica en exteriores, utilice un alargador adecuado para uso en exteriores. El uso de un cable adecuado para exteriores reduce el riesgo de que se produzca una descarga eléctrica.

f) Si no puede evitar usar una herramienta eléctrica en un lugar húmedo, debe utilizar una toma de corriente protegida por un dispositivo de corriente residual (RCD). El uso de un RCD reduce el riesgo de descarga eléctrica.

3) Advertencias generales de seguridad para herramientas eléctricas [Seguridad personal].

a) Manténgase alerta, tenga cuidado con lo que hace y aplique el sentido común al utilizar una herramienta eléctrica. No utilice una herramienta eléctrica cuando esté cansado o se encuentre bajo la influencia de alguna droga, alcohol o medicación. Un momento de distracción mientras utiliza herramientas eléctricas puede ocasionar lesiones personales graves.

b) Utilice equipo de protección individual. Utilice siempre protección ocular. El uso de equipo de protección, como mascarillas para el polvo, calzado antideslizante, casco o protección auditiva para condiciones adecuadas, reducirá las lesiones personales.

c) Evite el encendido accidental. Compruebe que el interruptor está en la posición OFF (apagado) antes de conectar la herramienta a la fuente de alimentación y/o a las baterías, o de coger o transportar la herramienta. Transportar herramientas eléctricas con el dedo sobre el interruptor o enchufar herramientas eléctricas con el interruptor encendido puede propiciar accidentes.

d) Retire cualquier llave de ajuste o inglesa del perno de la hoja antes de encender la herramienta eléctrica. Una llave, como una llave inglesa, colocada en una pieza giratoria de la herramienta eléctrica puede ocasionar lesiones personales.

e) Manténgase siempre dentro de sus límites. Mantenga una postura y equilibrio adecuados en todo momento. Esto permitirá un mejor control de la herramienta eléctrica ante situaciones inesperadas.

f) Vístase de forma adecuada. No lleve ropa holgada ni joyas. Mantenga el pelo, la ropa y los guantes alejados de las piezas móviles. La ropa suelta, las joyas o el cabello largo pueden quedar atrapados en las piezas móviles.

g) Si se proporcionan dispositivos para la

conexión de medios de extracción y recogida de polvo, asegúrese de que estén conectados y de que se utilizan correctamente. El uso de estos dispositivos puede reducir los riesgos derivados del polvo.

h) El hecho de que esté familiarizado con las herramientas gracias al uso frecuente no puede hacer que se vuelva complaciente e ignore los principios de seguridad de la herramienta. Una acción negligente puede provocar lesiones graves en una milésima de segundo.

4) Advertencias generales de seguridad para herramientas eléctricas [Uso y cuidado de la herramienta eléctrica].

a) No fuerce la herramienta eléctrica. Utilice la herramienta eléctrica correcta para su aplicación. La herramienta correcta realizará el trabajo de una forma más precisa y segura al ritmo para el que ha sido diseñada.

b) No utilice la herramienta eléctrica si el interruptor no la enciende ni la apaga. Cualquier herramienta eléctrica que no se pueda controlar con el interruptor es peligrosa y se debe reparar.

c) Desconecte las herramientas eléctricas de su fuente de alimentación antes de efectuar ajustes, cambiar accesorios o almacenarlas. Este tipo de medidas de seguridad preventivas reducen el riesgo de que la herramienta arranque por accidente.

d) Guarde las herramientas eléctricas fuera del alcance de los niños y no permita que personas que no estén familiarizadas con ellas o con estas instrucciones las usen. Las herramientas eléctricas son peligrosas en manos de personas sin preparación.

e) Lleve a cabo un mantenimiento regular de las herramientas eléctricas. Verifique la alineación y fijación de las piezas móviles, la posible rotura de estas y cualquier otra condición que pueda afectar al funcionamiento de las herramientas eléctricas. Si está dañada, repare la herramienta eléctrica antes de usarla. Muchos accidentes se producen debido a un mantenimiento deficiente de las herramientas eléctricas.

f) Mantenga las herramientas de corte limpias y afiladas. Las herramientas de corte con un buen mantenimiento y bordes de corte afilados son menos propensas a trabarse y son más fáciles de controlar.

g) Utilice la herramienta eléctrica, accesorios y brocas, etc., de acuerdo con estas instrucciones y teniendo en cuenta las condiciones de funcionamiento y el trabajo que se va a realizar. El uso de la herramienta eléctrica para operaciones diferentes a las previstas podría provocar una situación peligrosa.

h) Mantenga los mangos y las superficies de agarre secos, limpios y libres de aceite y grasa. Los mangos y superficies de agarre resbaladizos no permiten un manejo y control seguros de la

herramienta en situaciones inesperadas.

5) Uso y cuidado de la batería de la herramienta

a) Recargue solo con el cargador especificado por el fabricante. Un cargador que es apto para un tipo de batería puede acarrear peligro de incendio cuando se usa con otra batería.

b) Use herramientas eléctricas únicamente con las baterías designadas de forma específica.

El uso de cualquier otra batería puede conllevar riesgo de incendio y lesiones.

c) Cuando no se esté usando la batería, manténgala alejada de otros objetos metálicos, como clips para papel, monedas, llaves, clavos, tornillos u otros objetos metálicos pequeños que puedan crear una conexión entre ambos terminales.

Cortocircuitar los terminales de la batería entre sí puede provocar quemaduras o un incendio.

d) En condiciones agresivas, puede salirse líquido de la batería. Evite el contacto. Si se produjera el contacto accidental, enjuague con agua. Si el líquido entra en contacto con los ojos, acuda a un médico también. El líquido procedente de la batería puede provocar irritación o quemaduras.

e) No use una batería o herramienta que esté dañada o modificada. Las baterías dañadas o modificadas pueden tener un comportamiento impredecible y conllevar riesgo de incendio, explosión o lesiones.

f) No exponga la batería o la herramienta al fuego ni a una temperatura excesiva. La exposición al fuego o a una temperatura superior a 130 °C puede provocar una explosión.

Nota: la temperatura de «130 °C» equivale a una temperatura de «265 °F».

g) Siga todas las instrucciones de carga y no cargue la batería ni la herramienta fuera del rango de temperatura especificado en las instrucciones. Una carga incorrecta o a temperaturas fuera del rango especificado puede dañar la batería y aumentar el riesgo de incendio.

6) Asistencia

a) Lleve la herramienta eléctrica a reparar a un experto cualificado que utilice solo piezas de repuesto idénticas. Esto garantizará que la seguridad de la herramienta eléctrica se preserve.

b) No repare nunca las baterías dañadas. La reparación de las baterías solo debe realizarla el fabricante o un proveedor de servicios autorizado.

Instrucciones de seguridad de la mezcladora

a) Sujete la herramienta con ambas manos por los mangos previstos. La pérdida de control puede provocar lesiones personales.

b) Asegure ventilación suficiente al mezclar materiales inflamables para evitar que se genere una atmósfera peligrosa. Los vapores

generados se pueden inhalar o inflamar debido a las chispas que produce la herramienta eléctrica.

c) No mezcle comida. Las herramientas eléctricas y sus accesorios no se han diseñado para el procesamiento de alimento.

d) Asegúrese de que el recipiente de mezcla esté colocado en una posición firme y segura para evitar que vuelque. Un recipiente que no esté bien asegurado puede moverse de forma inesperada.

e) Asegúrese de que no hay salpicaduras de líquido contra la carcasa de la herramienta eléctrica. El líquido que penetra en la herramienta eléctrica puede provocar daños y una descarga eléctrica.

f) Siga las instrucciones y advertencias del material que se va a mezclar. El material que se va a mezclar puede ser nocivo.

g) Si la herramienta eléctrica se cae en el material que se va a mezclar, retire la batería de la máquina y pida a un reparador cualificado que compruebe la herramienta.

h) No meta la mano dentro del recipiente de mezcla ni introduzca otros objetos en él durante la mezcla. El contacto con la cesta de la mezcladora puede provocar lesiones personales graves.

i) Encienda y apague la herramienta solamente dentro del recipiente de mezcla. La cesta de la mezcladora puede doblarse o girar de forma incontrolada.

CONSEJOS PARA LA SALUD

ADVERTENCIA: durante el uso de esta máquina, se pueden producir partículas de polvo. A veces, según los materiales con los que trabaje, este polvo puede ser especialmente perjudicial. Si sospecha que la pintura de la superficie del material que desea cortar contiene plomo, consulte a un profesional. No intente retirar pintura que tenga base de plomo. Solo debe hacerlo un profesional. Una vez que el polvo se ha depositado en una superficie, el contacto de la mano con la boca puede llevar a la ingestión de plomo. Incluso la exposición a niveles bajos de plomo puede causar daños irreversibles en el cerebro y el sistema nervioso. Los niños pequeños y los nonatos son especialmente vulnerables. Se recomienda que considere el riesgo asociado a los materiales con los que trabaja y que reduzca el riesgo de exposición. Algunos materiales pueden producir polvo dañino para su salud. Recomendamos el uso de mascarillas con filtros reemplazables homologadas cuando utilice esta máquina.

Siempre debe:

- Trabajar en una zona bien ventilada.
- Trabajar con un equipo de seguridad homologado, como mascarillas para el

polvo diseñadas específicamente para filtrar partículas microscópicas.

ADVERTENCIA: el manejo de cualquier herramienta eléctrica puede provocar que se lancen objetos externos contra los ojos que podrían ocasionar daños graves en estos. Antes de empezar a utilizar una herramienta eléctrica, póngase siempre gafas de seguridad completas o con protección lateral, o una pantalla que cubra toda la cara cuando sea necesario.

INSTRUCCIONES DE SEGURIDAD ADICIONALES

- Se debe obtener una cuba de mezcla industrial, preferiblemente de plástico, y colocarse en una superficie segura y horizontal.
- El operario debe adoptar una postura segura con ambos pies apoyados con firmeza y ligeramente separados. Esta máquina también requiere el uso de ambas manos. Esta máquina no se puede usar con una sola mano.
- El operario debe llevar ropa de trabajo ceñida o un mono de trabajo al usar este equipo. La ropa holgada supone un peligro, ya que puede quedarse enganchada en las piezas giratorias de la máquina.
- Los colgantes o la bisutería suelta, etc. se deben retirar y almacenar de forma segura antes de usar esta máquina. La bisutería suelta puede suponer un peligro, ya que se puede enganchar en las piezas giratorias de la máquina.
- El operario debe sujetar la máquina firmemente por los mangos con aislamiento, que cuentan con una superficie de agarre ergonómica.
- Siempre se deben llevar gafas de protección o una máscara completa para proteger frente a materiales que podrían salir despedidos accidentalmente de la cubeta de mezcla durante las operaciones de mezcla.
- Se debe llevar una máscara antipolvo para proporcionar protección frente a cualquier material que pueda salir despedido de la cubeta de mezcla, sobre todo, durante el proceso de mezcla inicial.
- La máquina solo se debe encender cuando la varilla de mezcla esté dentro de la cubeta de mezcla. Encienda la máquina con la velocidad configurada en el ajuste de velocidad más bajo y aumente la velocidad gradualmente hasta lograr el rendimiento de mezcla óptimo.
- El operario nunca debe meter la mano en la cubeta de mezcla ni introducir ningún otro objeto o herramienta en la cubeta mientras la mezcla está en marcha.
- Esta máquina no se debe usar en entornos con una atmósfera potencialmente explosiva. Esto podría incluir fábricas, garajes y otros espacios cerrados (panaderías, silos de cereales, etc.) que puedan contener cantidades significativas de polvo en suspensión u otras partículas.

- Esta máquina no se debe usar para mezclar disolventes fácilmente inflamables o disolventes que contengan sustancias con un punto de inflamación por debajo de 21 °C.
- Si hay que almacenar la máquina temporalmente durante el funcionamiento (colocándola sobre una superficie de trabajo horizontal), el operario debe asegurarse de que la máquina está colocada sobre los mangos con la varilla como tercer punto de contacto.

PRIMEROS PASOS: DESEMBALAJE

Precaución: esta caja contiene objetos afilados. Ábrala con cuidado. Retire la máquina del embalaje junto con los accesorios incluidos. Compruebe que la máquina está en buenas condiciones y que se incluyen todos los accesorios especificados en este manual. Asegúrese también de que todos los accesorios están completos. Si falta alguna pieza, la máquina o accesorios, devuélvalo todo a su distribuidor en su embalaje original. No tire el embalaje y consérvelo durante todo el período de garantía. Deseche el embalaje respetando la normativa de medioambiente. Si es posible, recíclolo. No deje que los niños jueguen con las bolsas de plástico vacías, ya que existe riesgo de asfixia.

ELEMENTOS SUMINISTRADOS

Descripción	087-0001, 087-0001A, 087-0001-K, 087-0004, 087-0001B, 087-0001BK, 087-0001C, 087-0004A	
	087-0001, 087-0001-K, 087-0004,	087-0001A, 087-0001-AK, 087-0001B, 087-0001BK, 087-0001C, 087-0004A
Manual de instrucciones	✓	✓
Unidad de motor de mezcladora de varilla inalámbrica	✓	✓
Varilla de mezcla helicón de 120 mm (premezcla)	✓	✓
Llave de la varilla	✓	✓
Batería de 2 Ah		
Batería de 4 Ah		
Batería de 5 Ah		✓
Batería de 8 Ah		
Cargador de puerto único		✓
Cargador de puerto doble		

ACCESORIOS ADICIONALES

Además de los elementos estándar suministrados con esta máquina, también ponemos a su disposición los siguientes accesorios que encontrará en la tienda en línea de Evolution en www.evolutionpowertools.com o en su distribuidor local.

Descripción	N.º de pieza
Varilla paralela de 120 mm	123-0001
Varilla espiral de 120 mm	123-0002
Varilla helicón de 120 mm (premezcla)	123-0003
Varilla helicón de 120 mm (mezcla posterior)	123-0004
Varilla helicón de 140 mm (premezcla)	123-0005

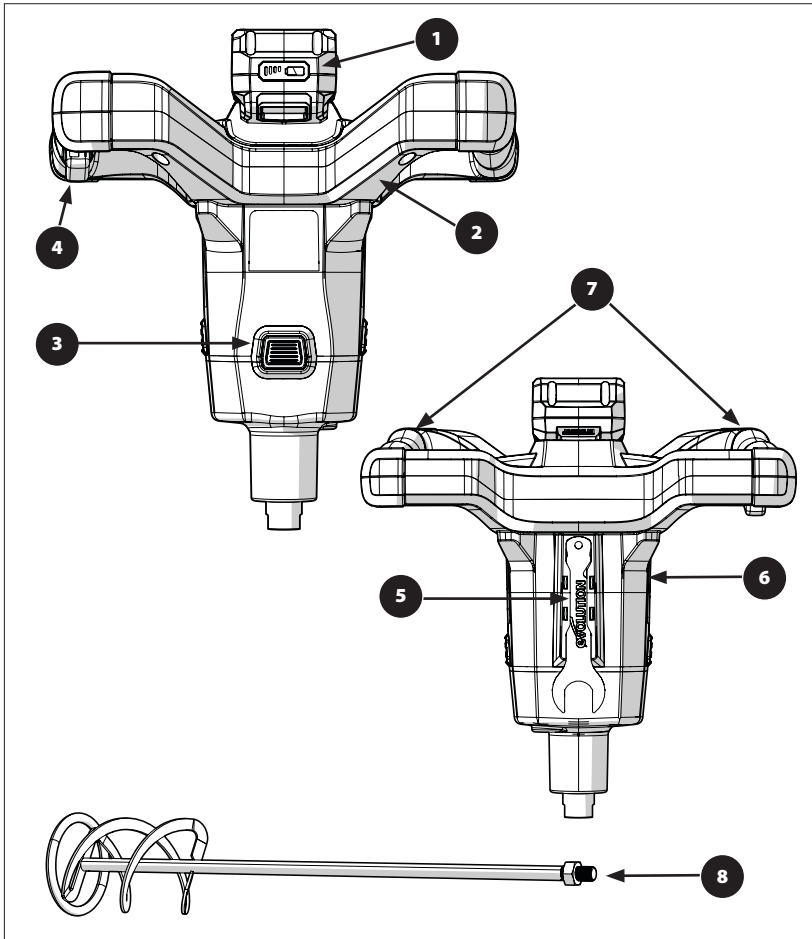
ADVERTENCIA: como los accesorios no ofrecidos por Evolution Power Tools Ltd no se han probado con este producto, el uso de los mismos con esta herramienta podría ser peligroso. Para reducir el riesgo de lesiones, con este producto solo se deben utilizar accesorios recomendados por Evolution.

CARGADORES/BATERÍAS RECOMENDADOS

Descripción	N.º de pieza	
Batería de 2 Ah	R18BAT-Li2, R20BAT-Li2	EBAT18-Li-2
Batería de 4 Ah	R18BAT-Li4, R20BAT-Li4	EBAT18-Li-4, EHPB18-Li-4
Batería de 5 Ah	R18BAT-Li5, R20BAT-Li5	EBAT18-Li-5
Batería de 8 Ah	R18BAT-Li8, R20BAT-Li8	EHPB18-Li-8
R18RCH-Li1 - Cargador de puerto único	R18RCH-Li1, R20RCH-Li1	EFC18-Li
R18RCH-Li2 - Cargador de puerto doble	R18RCH-Li2, R20RCH-Li2	EMC18-Li

Si tiene previsto almacenar una batería durante un cierto tiempo sin usarla, guárdela a temperatura ambiente (de 0 °C a 20 °C). Cuando se almacena durante un periodo de tiempo muy prolongado, hay que cargarla una vez al año para evitar la sobredescarga. Rango de temperatura ambiente para el uso de la herramienta y la batería: de 0 °C a 40 °C. Temperatura de carga: de 5 °C a 40 °C.

DESCRIPCIÓN GENERAL DE LA MÁQUINA R120MXR-Li



1. BATERÍA
2. LUZ DE TRABAJO LED
3. BOTÓN DEL SEGURO DEL EJE
4. GATILLO DE VELOCIDAD VARIABLE
5. ALMACENAMIENTO DE HERRAMIENTAS INTEGRADO
6. UNIDAD DEL MOTOR
7. ASAS
8. VARILLA

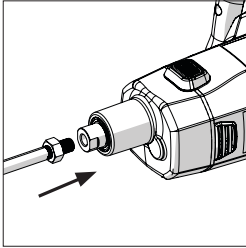


Fig. 1

ENSAMBLAJE

La varilla de mezcla

Nota: la mezcladora de varilla de Evolution se suministra con una varilla de mezcla multiusos.

Inserción y retirada de la varilla de mezcla (Fig.1)

- 1) Inserte la rosca de la varilla en el eje girándola en sentido horario.
- 2) Apriete la varilla empujando y manteniendo el botón del seguro del eje y, usando la llave suministrada, apriete la varilla en sentido horario.
- 3) Para retirar la varilla, empuje y mantenga el botón del seguro del eje y use la llave suministrada procediendo en el orden inverso.

Nota: el eje de la máquina (Fig. 2) sobresale de la unidad del motor y tiene dos caras mecanizadas en él para alojar la llave suministrada.

El orificio interno del árbol contiene una rosca de Ø14 mm. Esta rosca interna coincide con la rosca externa de Ø14 mm del eje de la varilla de mezcla. La varilla de mezcla se debe atornillar al árbol de la máquina y apretarse de forma segura.

Posición de la mano

ADVERTENCIA: para reducir el riesgo de lesiones graves, sujete SIEMPRE la máquina con ambas manos por las asas previstas, adopte una postura segura y céntrese en el trabajo. Un momento de torsión inverso puede provocar la pérdida del control y causar lesiones personales.

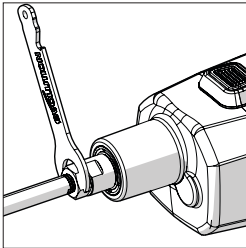


Fig. 2

INSTRUCCIONES DE FUNCIONAMIENTO

Para instalar/retirar la batería

Para instalar la batería, insértela firmemente en la herramienta hasta oír un clic audible, y asegúrese de que está bien asentada y fijada en posición. Para retirar la batería, pulse el botón de liberación de la batería y sáquela de la herramienta.

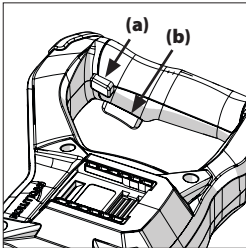


Fig. 3

Funcionamiento de la mezcladora y del control de velocidad de variable

- No use esta herramienta para mezclar o bombear fluidos fácilmente combustibles o explosivos (bencina, alcohol, etc.)
- No mezcle ni remueva líquidos inflamables con el correspondiente etiquetado
- Compruebe siempre las advertencias de inflamabilidad en cualquier producto antes de intentar mezclarlo.
- Asegure el recipiente de mezcla para que no se vuelque.
- Lleve siempre gafas de protección, guantes y una máscara de filtros contra humo al trabajar con la máquina.
- Lleve protección auditiva al trabajar durante periodos de tiempo prolongados. Unos niveles de ruido elevados durante un periodo de tiempo prolongado pueden afectar a su audición.

Nota: el gatillo interruptor está situado de forma ergonómica en la parte inferior del asa derecha.

1) Pulse el botón del bloqueo de seguridad (Fig. 3a) y, manteniéndolo presionado, pulse el gatillo (Fig. 3b)

2) Presione el gatillo para aumentar la velocidad de giro.

3) Para apagar, suelte el gatillo interruptor.

Durante el proceso de mezcla debería guiar la mezcladora alrededor del recipiente para asegurar una mezcla más consistente. Continúe hasta que todo el material se haya mezclado completamente.

Precaución: si la mezcladora entra en contacto con la superficie del recipiente mientras está en funcionamiento, se puede producir un contragolpe.

Precaución: reduzca SIEMPRE la velocidad al sumergir la mezcladora en el material o al sacarla. Una vez que la mezcladora esté completamente sumergida, aumente la velocidad de nuevo para asegurarse de que el motor se enfría de forma adecuada.

Luz de trabajo LED

Una vez se haya pulsado el gatillo interruptor, la luz de trabajo LED se encenderá.

RESOLUCIÓN DE PROBLEMAS

Protección contra sobrecarga: la máquina se ha apagado sola. La máquina está demasiado caliente. Deje que la máquina funcione con velocidad de ralentí hasta que se haya enfriado.

MANTENIMIENTO

ADVERTENCIA: para reducir el riesgo de lesiones personales, apague y desconecte la batería antes de realizar ajustes o de retirar/instalar uniones o accesorios.

Limpie la máquina y la varilla inmediatamente después del uso.

Utilice un paño limpio y ligeramente húmedo para limpiar las partes de plástico de la máquina. No utilice disolventes ni productos similares que podrían dañarlas.

El exceso de chispas puede indicar que el motor está sucio o que las escobillas de carbono están desgastadas.

Si se tiene alguna sospecha de que esto ocurra, lleve la máquina al servicio técnico para que el personal cualificado reemplace las escobillas.

PROTECCIÓN MEDIOAMBIENTAL

Nunca tire una herramienta eléctrica a la basura doméstica.

Para cumplir la Directiva europea 2012/19/UE sobre residuos de aparatos eléctricos y electrónicos, así como su implementación en la legislación nacional, las herramientas eléctricas antiguas se deben separar de otros residuos y desecharse de forma respetuosa con el medioambiente, por ejemplo, llevándolas a un centro de reciclaje.

Alternativa de reciclaje a la solicitud de devolución:
como alternativa a la devolución del equipo al fabricante, el propietario del equipo eléctrico debe asegurarse de que este se desecha de forma adecuada si ya no quiere conservarlo. El equipo antiguo se puede entregar en un punto de recogida adecuado, que lo eliminará de conformidad con la normativa nacional de reciclaje y eliminación de residuos. Esto no se aplica a los accesorios o ayudas sin componentes eléctricos que se suministran con el equipo antiguo.

Daño medioambiental por eliminación incorrecta de las pilas/baterías recargables.
Las pilas/baterías recargables no se pueden desechar con los residuos domésticos habituales. Pueden contener metales pesados tóxicos y están sujetas a las normativas y leyes de tratamiento de residuos peligrosos. Deseche las baterías de conformidad con los requisitos locales relevantes. Retire la batería del producto antes de la eliminación.



DECLARACIÓN DE CONFORMIDAD CE



El fabricante del producto incluido en esta Declaración es el siguiente:

Reino Unido: Evolution Power Tools Ltd., Venture One, Longacre Close, Holbrook Industrial Estate, Sheffield, S20 3FR (Reino Unido).

FR: Evolution Power Tools SAS. 61 Avenue Lafontaine, 33560, Carbon-Blanc, Burdeos (Francia).

El fabricante declara que la máquina, tal y como se detalla en la presente Declaración, cumple todas las disposiciones pertinentes de la Directiva relativa a las máquinas y otras directivas apropiadas, tal y como se especifica a continuación.

Asimismo, el fabricante declara que la máquina, tal y como se indica detalladamente en la presente Declaración, en los casos en los que sea aplicable, cumple con las disposiciones pertinentes sobre los requisitos esenciales de seguridad y salud.

Las Directivas incluidas en esta Declaración se detallan a continuación:

2006/42/CE.	Directiva relativa a las máquinas.
2014/30/CE.	Directiva de compatibilidad electromagnética.
2011/65/UE. y 2015/863/UE.	Directiva sobre restricciones a la utilización de determinadas sustancias peligrosas en aparatos eléctricos y electrónicos (RoHS).
2012/19/UE.	Directiva sobre residuos de aparatos eléctricos y electrónicos (RAEE).

Y está en conformidad con los requisitos aplicables de los siguientes documentos:

**EN 62841-1:2015 • EN 62841-2-10:2017 • EN 55014-1:2017+A11:2020 •
EN IEC 55014-1-2021 • EN IEC 55014-2-2021**

Detalles del producto

Descripción:	MEZCLADORA DE VARILLA INALÁMBRICA R120MXR-Li
Código de producto:	087-0001
Marca comercial:	EVOLUTION
Voltaje:	18 CC

La documentación técnica necesaria para demostrar que el producto cumple con los requisitos de la directiva se ha elaborado y está disponible para su inspección por parte de las autoridades competentes pertinentes. Garantiza que nuestro archivo técnico contiene los documentos enumerados anteriormente y que estas son las normas correctas para el producto, tal y como se ha detallado antes.

Nombre y dirección del titular de la documentación técnica.

Firmado:  Impresión: Barry Bloomer - CEO

Fecha: 22/03/2022

Reino Unido: Evolution Power Tools Ltd., Venture One, Longacre Close, Holbrook Industrial Estate, Sheffield, S20 3FR (Reino Unido).

FR: Evolution Power Tools SAS. 61 Avenue Lafontaine, 33560, Carbon-Blanc, Burdeos (Francia).

DECLARACIÓN DE CONFORMIDAD CE



El fabricante del producto incluido en esta Declaración es el siguiente:

Reino Unido: Evolution Power Tools Ltd., Venture One, Longacre Close, Holbrook Industrial Estate, Sheffield, S20 3FR (Reino Unido).

FR: Evolution Power Tools SAS. 61 Avenue Lafontaine, 33560, Carbon-Blanc, Burdeos (Francia).

El fabricante declara que la máquina, tal y como se detalla en la presente Declaración, cumple todas las disposiciones pertinentes de la Directiva relativa a las máquinas y otras directivas apropiadas, tal y como se especifica a continuación.

Asimismo, el fabricante declara que la máquina, tal y como se indica detalladamente en la presente Declaración, en los casos en los que sea aplicable, cumple con las disposiciones pertinentes sobre los requisitos esenciales de seguridad y salud.

Las Directivas incluidas en esta Declaración se detallan a continuación:

Legislación del Reino Unido: normativas de (seguridad en el) suministro de maquinaria 2008;
Legislación del Reino Unido: normativas de compatibilidad electromagnética de 2016;
Legislación del Reino Unido: normativas sobre restricciones a la utilización de determinadas sustancias peligrosas en aparatos eléctricos y electrónicos de 2012
Legislación del Reino Unido: normativas sobre residuos de aparatos eléctricos y electrónicos de 2013

Y está en conformidad con los requisitos aplicables de los siguientes documentos:

BS EN 62841-1:2015 • BS EN 62841-2-10: 2017;
BS EN IEC 55014-1-2021 • BS EN IEC 55014-2-2021

Detalles del producto

Descripción:	MEZCLADORA DE VARILLA INALÁMBRICA R120MXR-Li
Código de producto:	087-0001
Marca comercial:	EVOLUTION
Voltaje:	18 CC

La documentación técnica necesaria para demostrar que el producto cumple con los requisitos de la directiva se ha elaborado y está disponible para su inspección por parte de las autoridades competentes pertinentes. Garantiza que nuestro archivo técnico contiene los documentos enumerados anteriormente y que estas son las normas correctas para el producto, tal y como se ha detallado antes.

Nombre y dirección del titular de la documentación técnica.

Firmado:  Impresión: Barry Bloomer - CEO

Fecha: 22/03/2022

Reino Unido: Evolution Power Tools Ltd., Venture One, Longacre Close, Holbrook Industrial Estate, Sheffield, S20 3FR (Reino Unido).

FR: Evolution Power Tools SAS. 61 Avenue Lafontaine, 33560, Carbon-Blanc, Burdeos (Francia).

IMPORTANT

Veillez lire attentivement ces consignes d'utilisation et de sécurité dans leur intégralité.

Pour votre propre sécurité, si vous avez des doutes concernant un aspect de l'utilisation de cet appareil, veuillez contacter l'assistance technique appropriée dont le numéro se trouve sur le site Internet d'Evolution Power Tools. Nous assurons différentes lignes d'assistance téléphoniques au sein de notre société à l'échelle mondiale, mais une assistance technique est également disponible auprès de votre fournisseur.

SITE INTERNET

www.evolutionpowertools.com

E-MAIL**RU:**

customer.services@evolutionpowertools.com

États-Unis:

evolutioninfo@evolutionpowertools.com

GARANTIE

Félicitations pour votre achat d'un appareil Evolution Power Tools. Veuillez enregistrer votre produit « en ligne » comme expliqué dans le dépliant fourni avec cet appareil. Cela vous permettra de valider la période de garantie de l'appareil via le site Internet d'Evolution en saisissant vos coordonnées, ce qui vous garantit un service rapide si nécessaire.

Nous vous remercions sincèrement d'avoir choisi un produit de la gamme Evolution Power Tools.

Evolution Power Tools se réserve le droit de modifier et d'améliorer le produit, sans avis préalable.

Veillez vous reporter à la brochure d'enregistrement de la garantie et/ou l'emballage pour prendre connaissance des détails des modalités et des conditions de la garantie.

CARACTÉRISTIQUES R120MXR-Li

CARACTÉRISTIQUES DE L'APPAREIL	RU/UE/AUS	USA
Code produit	087-0001, 087-0001-K, 087-0001A-K, 087-0001A, 087-0001B, 087-0001B-K, 087-0001C	087-0004, 087-0004A
Tension	18 V d.c.	20 V d.c.
Vitesse à vide	0 à 650 min ⁻¹	0 à 650 tpm
Poids sans la pale (sans batterie)	3,9 kg	8,6 lb
Poids avec la pale (sans batterie)	5,1 kg	11,2 lb
Capacité max.	40 L	
Dimensions de la pale (fournie)	120 mm	4-11/16"
Fixation de la pale	14 mm (femelle)	8/16"
Pale fournie	Pale hélicoïdale polyvalente de 120 mm (4-11/16")	

NIVEAUX SONORES ET VIBRATOIRES

Niveau d'intensité acoustique (L_{WA})	18 V/20 V : L_{WA} : 90,5 dB(A), K_{WA} : 3 dB(A)
Niveau de pression acoustique (L_{pA})	18/20 V : L_{pA} : 79,5 dB(a), K_{pA} : 3 dB(A)
Vibrations (m/sec ²) Poignée gauche	18/20 V : a_h = 1,777 m/s ² Incertitude K=1,5 m/s ²
Vibrations (m/sec ²) Poignée droite	18/20 V : a_h = 1,655 m/s ² Incertitude K=1,5 m/s ²

Remarque : La mesure des vibrations a été effectuée dans des conditions standard conformément à :
EN 62841-1 : 2015, EN 62841-2-10:2017

La valeur de vibrations totale déclarée a été mesurée conformément à une méthode d'essai standard et peut être utilisée pour comparer un outil avec un autre.

La valeur totale des vibrations déclarée peut également être utilisée lors d'une évaluation préliminaire d'exposition.

VIBRATION

AVERTISSEMENT : Lors de l'utilisation de cet appareil, l'utilisateur peut être exposé à de hauts niveaux de vibrations transmises à sa main et à son bras. L'opérateur est susceptible de développer le syndrome de Raynaud. Ce syndrome peut diminuer la sensibilité de la main à la température et provoquer un engourdissement général. Les personnes utilisant cet appareil de manière régulière ou prolongée doivent surveiller attentivement l'état de leurs mains et de leurs doigts. En cas d'apparition de l'un des symptômes, consultez immédiatement un médecin.

- La mesure et l'évaluation de l'exposition de l'être humain aux vibrations transmises par les mains en milieu professionnel sont précisées dans les normes suivantes : EN 62841-1 et EN 62841-2-10
- Plusieurs facteurs peuvent influencer le niveau de vibration effectif lors de l'utilisation, comme l'état et l'orientation des surfaces de travail, et le type et l'état de l'appareil utilisé. Avant chaque utilisation, vous devez évaluer ces facteurs et, si possible, adopter des pratiques professionnelles appropriées. La gestion de ces facteurs peut contribuer à réduire les effets des vibrations :

Manipulation

- Manipulez l'appareil avec soin, en lui laissant faire le travail.
- Évitez les efforts physiques excessifs sur toutes les commandes de l'appareil.
- Prenez en considération votre sécurité et votre stabilité, ainsi que l'orientation de l'appareil durant son utilisation.

Surface de travail

- Prenez en compte la matière de la surface de travail, son état, sa densité, sa résistance, sa rigidité et son orientation.

AVERTISSEMENT : Les vibrations émises lors de l'utilisation de l'outil électrique peuvent être différentes de la valeur totale déclarée, selon les utilisations de l'outil. Il est nécessaire d'identifier les mesures de sécurité à adopter et de protéger l'opérateur en fonction d'une estimation de l'exposition dans les conditions effectives d'utilisation (en tenant compte de toutes les étapes du cycle d'opération, par exemple lorsque l'outil est mis à l'arrêt, lorsqu'il tourne au ralenti, en plus du déclenchement).

ÉTIQUETTES ET SYMBOLES

AVERTISSEMENT : N'utilisez pas cet appareil si les étiquettes d'avertissement et/ou de consignes sont manquantes ou endommagées. Contactez Evolution Power Tools pour le remplacement des étiquettes.

Remarque : Tous les symboles suivants ou certains d'entre eux peuvent apparaître dans le manuel ou sur le produit.

Symbole	Description
V	Volts
A	Ampères
Min ⁻¹ /tpm	Vitesse
~	Courant alternatif
n ₀	Vitesse à vide
	Portez des lunettes de sécurité
	Portez des protections auditives
	Portez un dispositif de protection contre la poussière
	Lisez le mode d'emploi
	Double isolation
	Certification CE
	Certification UKCA
	Certification TUV SUD
	Déchets d'équipements électriques et électroniques
	Tri-man - Collecte et recyclage des déchets
	Avertissement
	(RCM) Regulatory Compliance Mark (marque de conformité légale) pour les équipements électriques et électroniques. Norme australienne/ néo-zélandaise
	Tenir à l'écart de la chaleur et des flammes nues - Ne pas jeter dans le feu

	Tenir à l'écart de l'eau - ne pas immerger le produit dans des liquides
	Température max.
	Tension continue

USAGE PRÉVU DE CET OUTIL ÉLECTRIQUE

AVERTISSEMENT : Ce produit est un mélangeur à pale sans fil à commande manuelle conçu pour fonctionner avec les pales de mélange Evolution. Utilisez uniquement des accessoires conçus pour l'utilisation avec cet appareil et/ou ceux spécifiquement recommandés par Evolution Power Tools Ltd.

Cet appareil, lorsqu'il est équipé d'une pale appropriée, peut être utilisé pour mélanger :

Plâtre | Peinture | Mortier | Colle
Ciment | Produits de construction à base de poudre

USAGE PROSCRIT DE CET OUTIL ÉLECTRIQUE

AVERTISSEMENT : Ce produit est un mélangeur à pale sans fil à commande manuelle et doit être utilisé uniquement en tant que tel. Il ne doit en aucun cas être modifié ou utilisé pour alimenter tout autre appareil ou entraîner tout accessoire autre que ceux mentionnés dans le présent mode d'emploi.

Ce mélangeur ne doit pas être utilisé pour toute préparation alimentaire.

AVERTISSEMENT : Cet appareil n'est pas conçu pour être utilisé par des personnes (y compris les enfants) dont les capacités physiques, sensorielles ou mentales sont réduites, ou dénuées d'expérience ou de connaissances, sauf si elles ont pu bénéficier, par l'intermédiaire d'une personne responsable de leur sécurité et capable d'utiliser l'appareil en sécurité, d'une surveillance ou d'instructions préalables concernant l'utilisation de l'appareil.

Les enfants doivent être surveillés pour garantir qu'ils n'aient pas accès à cet appareil et qu'ils ne soient pas autorisés à jouer avec.

CONSIGNES GÉNÉRALES DE SÉCURITÉ POUR LES OUTILS ÉLECTRIQUES

(2.1) CONSIGNES GÉNÉRALES DE SÉCURITÉ

(Ces consignes générales de sécurité pour les outils électriques sont telles que spécifiées dans la norme EN 62841-1: 2015, UL Std. UL 62841-1 et CSA Std. C22.2 N° 62841-1).

AVERTISSEMENT : Veuillez lire tous les avertissements de sécurité ainsi que toutes les instructions, illustrations et spécifications fournis avec cet outil électrique. Le non-respect des avertissements et des instructions peut causer des électrocutions, des incendies et/ou des blessures graves.

Conservez tous les avertissements de sécurité et toutes les instructions pour vous y reporter par la suite. Dans les avertissements, le terme « outil électrique » fait référence aux outils électriques fonctionnant sur secteur (avec fil) ou sur batterie (sans fil).

AVERTISSEMENT : Lisez tous les avertissements et les consignes de sécurité. Le non-respect des avertissements et des instructions peut causer des électrocutions, des incendies et/ou des blessures graves.

Conservez tous les avertissements et toutes les instructions pour vous y reporter par la suite. Dans les avertissements, le terme « outil électrique » fait référence aux outils électriques fonctionnant sur secteur (avec fil) ou sur batterie (sans fil).

1) Avertissements généraux de sécurité concernant les outils électriques [sécurité de l'espace de travail]

- a) L'espace de travail doit être propre et suffisamment éclairé.** Les espaces sombres et encombrés sont propices aux accidents.
- b) Ne mettez pas en marche votre outil électrique dans un environnement explosif, ou en présence de liquide inflammable, de gaz ou de poussière.** Les outils électriques produisent des étincelles qui peuvent faire enflammer la poussière ou les vapeurs.
- c) Tenez les enfants et les autres personnes présentes éloignés lorsque vous utilisez un outil électrique.** Les distractions peuvent causer une perte de contrôle.

2) Avertissements généraux de sécurité s'appliquant aux outils électriques [sécurité électrique]

- a) Les fiches des outils électriques doivent correspondre à la prise secteur utilisée. Ne modifiez jamais la fiche, de quelque façon que ce soit. N'utilisez jamais d'adaptateurs de fiche avec des outils reliés à la terre.** Les fiches et prises non modifiées réduisent le risque d'électrocution.
- b) Évitez tout contact du corps avec des surfaces reliées à la terre, telles que des tuyaux, radiateurs, cuisinières et réfrigérateurs.** Le risque d'électrocution est accru si votre corps est relié à la terre.
- c) N'exposez les outils électriques ni à la pluie ni à l'humidité.** La pénétration d'eau dans ces outils accroît le risque d'électrocution.
- d) Ne malmenez pas le câble d'alimentation. N'utilisez jamais le câble d'alimentation pour**

transporter l'outil et ne débranchez jamais l'appareil en tirant sur le câble. Tenez le câble à l'écart de la chaleur, de l'huile, d'objets tranchants et des pièces en mouvement. Un câble endommagé ou emmêlé accroît le risque d'électrocution.

e) Pour les travaux à l'extérieur, utilisez un câble spécialement conçu à cet effet. L'utilisation d'un câble conçu pour l'usage extérieur réduit le risque d'électrocution.

f) Si le fonctionnement de l'outil électrique dans des endroits humides est inévitable, utilisez une prise protégée par un dispositif de courant différentiel résiduel (DCR). L'utilisation d'un dispositif de courant différentiel résiduel (DCR) réduit le risque d'électrocution.

3) Avertissements généraux de sécurité s'appliquant aux outils électriques [sécurité personnelle].

- a) Restez attentif, prêtez attention au travail que vous êtes en train d'effectuer et faites preuve de bon sens lors de l'utilisation de tout outil électrique.** N'utilisez pas d'outil électrique si vous êtes fatigué(e) ou sous l'influence de l'alcool, de drogues ou de médicaments. Un moment d'inattention pendant l'utilisation d'un outil électrique peut entraîner des blessures graves.
- b) Utilisez un équipement de protection individuelle.** Portez toujours un dispositif de protection oculaire. L'équipement de sécurité, tel qu'un masque filtrant, des chaussures de sécurité, un casque ou une protection auditive, utilisé dans des conditions appropriées réduira le risque de blessures.
- c) Veillez à éviter les démarrages imprévisibles.** Assurez-vous que l'interrupteur est en position d'arrêt avant de brancher l'outil sur une prise secteur et/ou un bloc-batterie, de ramasser ou de transporter l'outil. Porter un outil avec le doigt sur son interrupteur ou brancher un outil dont l'interrupteur est en position de marche peut causer un accident.
- d) Retirez les clés de réglage ou les clés à écrous du boulon de lame avant de mettre l'outil en marche.** Une clé à écrous ou une clé laissée sur une pièce rotative d'un outil électrique pourrait causer de graves dommages corporels.
- e) Ne travaillez pas à bout de bras. Gardez toujours un bon appui et un bon équilibre.** Ceci permettra de mieux contrôler l'outil électrique en cas de situation imprévue.
- f) Portez une tenue appropriée.** Ne portez ni vêtements amples, ni bijoux. Gardez vos cheveux, vêtements et gants à l'écart des pièces en mouvement. Les vêtements amples, les bijoux et les cheveux longs peuvent se prendre dans les pièces en mouvement.
- g) Si des dispositifs sont prévus pour le raccordement d'installations d'extraction et de collecte des poussières, assurez-vous qu'ils sont raccordés et utilisés correctement.** L'usage de ces

dispositifs de collecte des poussières peut réduire les dangers présentés par la poussière.

h) Ne vous montrez pas trop sûr de vous et n'ignorez pas les précautions de sécurité d'un outil à cause de la familiarité acquise avec son utilisation fréquente. Toute action imprudente risque d'entraîner de graves blessures en une fraction de seconde.

4) Avertissements généraux de sécurité concernant les outils électriques [utilisation et entretien des outils électriques].

a) N'exercez pas une force excessive sur l'outil électrique. Utilisez l'outil électrique approprié pour le travail. Un outil électrique approprié exécutera mieux le travail et de façon moins dangereuse s'il est utilisé dans les limites prévues de son utilisation.

b) N'utilisez pas l'outil électrique si l'interrupteur ne permet pas de le mettre en marche ou de l'arrêter. Un outil électrique qui ne peut pas être contrôlé par son interrupteur est dangereux et doit être réparé.

c) Débranchez l'outil électrique de son alimentation électrique avant d'effectuer des réglages, de changer les accessoires ou de ranger l'outil. Ces mesures de sécurité préventives réduisent les risques de démarrage accidentel de l'outil électrique.

d) Rangez les outils électriques à l'arrêt hors de portée des enfants et ne laissez pas des personnes qui ne connaissent pas cet outil électrique ou ces consignes utiliser l'outil électrique. Les outils électriques sont dangereux lorsqu'ils sont utilisés par des personnes non initiées.

e) Entretenez les outils électriques. Vérifiez qu'aucune pièce mobile n'est mal alignée ou bloquée, qu'aucune pièce n'est brisée et assurez-vous qu'aucun autre problème ne risque d'affecter le bon fonctionnement de l'outil électrique. En cas de dommages, faites réparer l'outil électrique avant de l'utiliser de nouveau. Beaucoup d'accidents sont causés par des outils électriques mal entretenus.

f) Gardez les outils de coupe bien affûtés et propres. Des outils de coupe correctement entretenus et dont les tranchants sont bien affûtés risquent moins de se gripper et sont plus faciles à contrôler.

g) Utilisez l'outil électrique, les accessoires et les embouts, etc., conformément au présent mode d'emploi pour les utilisations pour lesquelles ils sont conçus, en tenant compte des conditions et du type de travail à exécuter. L'usage d'un outil électrique à d'autres fins que celles prévues peut entraîner des situations dangereuses.

h) Faites en sorte que les poignées et les surfaces de prise soient toujours sèches, propres et dénuées d'huile ou de graisse. Des poignées ou des surfaces de prises glissantes ne permettent pas la manipulation et le contrôle de l'outil en toute sécurité lors de situations imprévues.

5) Utilisation et entretien des outils alimentés par batterie

a) Rechargez uniquement la batterie avec le chargeur spécifié par le fabricant. Un chargeur adapté à une batterie peut créer un risque d'incendie lorsqu'il est utilisé avec une autre batterie.

b) N'utilisez des outils électriques qu'avec des batteries spécifiquement conçues pour eux. L'utilisation de toute autre batterie peut entraîner un risque de blessure et d'incendie.

c) Lorsque vous n'utilisez pas la batterie, tenez-la à l'écart des objets métalliques, tels que les trombones à papier, les pièces, les clés, les clous, les vis ou autres petits objets en métal, qui peuvent établir un contact entre les bornes. Court-circuiter les bornes de la batterie peut entraîner des brûlures ou un incendie.

d) Dans des conditions d'utilisation abusives, du liquide peut être éjecté de la batterie ; évitez tout contact avec lui. En cas de contact accidentel, rincez votre peau avec de l'eau. En cas de contact du liquide avec vos yeux, consultez également un médecin. Le liquide éjecté de la batterie peut provoquer une irritation ou des brûlures.

e) N'utilisez pas une batterie ou un outil qui a été endommagé ou modifié. Les batteries endommagées ou modifiées peuvent avoir un comportement imprévisible et entraîner un incendie, une explosion ou un risque de blessure.

f) N'exposez pas une batterie ou un outil au feu ou à une température excessive. Une exposition au feu ou à une température supérieure à 130 °C peut provoquer une explosion.

Remarque : La température de 130 °C correspond à la température de 265 °F.

g) Respectez toutes les consignes de charge et ne chargez pas la batterie ou l'outil en dehors de la plage de températures spécifiée dans les consignes. Une charge incorrecte ou en dehors de la plage de températures autorisée peut entraîner des dommages sur la batterie et augmenter le risque d'incendie.

6) Entretien

a) Confiez les réparations de votre outil à un technicien qualifié, utilisant exclusivement des pièces de rechange identiques. Ceci assurera le maintien de la sécurité de l'appareil électrique.

b) Ne procédez jamais à l'entretien de batteries endommagées. L'entretien des batteries ne doit être effectué que par le fabricant ou des prestataires de services agréés.

Consignes de sécurité du mélangeur

a) Maintenez l'outil à deux mains à l'aide des poignées prévues. Une perte de contrôle peut entraîner un risque de blessure.

b) La ventilation doit être suffisante lors du mélange de matériaux inflammables afin d'éviter toute atmosphère dangereuse. Les

vapeurs qui se forment risquent d'être inhalées ou enflammées par les étincelles produites par l'outil électrique.

c) Ne mélangez aucun aliment. Ces outils électriques et leurs accessoires ne sont pas conçus pour le traitement alimentaire.

d) Vérifiez que le récipient de mélange soit placé dans une position ferme et sûre pour éviter que le récipient ne tourne. Un contenant qui n'est pas bien sécurisé risque de bouger de façon imprévue.

e) Vérifiez l'absence d'éclaboussures de liquide sur le boîtier de l'outil électrique. Tout liquide qui pénétrerait dans l'outil électrique risque de l'endommager et d'entraîner une électrocution.

f) Suivez les instructions et les avertissements du matériau à mélanger. Le matériau à mélanger risque d'être dangereux.

g) En cas de chute de l'outil électrique dans le matériau à mélanger, retirez la batterie de l'appareil et faites contrôler l'outil électrique par un réparateur qualifié.

h) N'essayez pas de mettre vos mains ou tout autre objet dans le contenant de l'élément à mélanger pendant le mélange. Tout contact avec le panier du mélangeur risque d'entraîner de graves blessures.

i) Commencez uniquement par le haut et plongez l'outil dans le contenant de l'élément à mélanger. Le panier du mélangeur peut se courber ou tourner de manière incontrôlée.

CONSEILS DE SANTÉ

AVERTISSEMENT : Lors de l'utilisation de cet appareil, des particules de poussière peuvent être générées. Dans certains cas, en fonction des matériaux avec lesquels vous travaillez, cette poussière peut se révéler particulièrement nocive. Si vous suspectez que la peinture à la surface du matériau que vous souhaitez couper contient du plomb, demandez les conseils d'un professionnel. Les peintures au plomb doivent être retirées uniquement par un professionnel. Vous ne devez pas tenter de les retirer vous-même. Une fois que la poussière s'est déposée sur les surfaces, un contact entre la main et la bouche peut donner lieu à l'ingestion de plomb. L'exposition au plomb, même en faible quantité, est susceptible de provoquer des lésions irréversibles du cerveau ou du système nerveux. Les jeunes enfants et les enfants à naître sont particulièrement vulnérables.

Il est conseillé de considérer les risques associés aux matériaux avec lesquels vous travaillez et de réduire les risques d'exposition. Certains matériaux pouvant générer des poussières potentiellement dangereuses pour votre santé, nous vous conseillons d'utiliser un masque agréé avec des filtres interchangeables lors de l'utilisation de cet appareil.

Vous devriez toujours :

- Travailler dans un endroit bien aéré.
- Travaillez en portant un équipement de protection agréé tel qu'un masque anti-poussière spécialement conçu pour filtrer les particules microscopiques.

AVERTISSEMENT : L'utilisation d'un outil électrique peut entraîner la projection d'objets étrangers, qui peuvent être à l'origine de lésions oculaires graves. Avant de commencer à utiliser un outil électrique, portez toujours des lunettes de protection munies d'écrans latéraux ou un masque facial intégral si nécessaire.

CONSIGNES DE SÉCURITÉ SUPPLÉMENTAIRES

- Trouvez un bac de mélange industriel approprié, de préférence en plastique, et placez-le sur une surface horizontale sûre et stable.
- L'opérateur doit adopter une position sécurisée, avec ses deux pieds légèrement écartés et bien ancrés au sol. Cet appareil nécessite également l'utilisation des deux mains. Cet appareil ne peut pas être utilisé d'une seule main.
- L'opérateur doit porter des vêtements de travail ajustés ou un bleu de travail ajusté lors de l'utilisation de cet appareil. Les vêtements amples posent problème puisqu'ils risquent d'être pris dans les pièces rotatives de l'appareil.
- Les bijoux et les chaînes amples doivent être retirés et rangés en sécurité avant d'utiliser cet appareil. Les bijoux amples posent problème puisqu'ils risquent d'être pris dans les pièces rotatives de l'appareil.
- L'opérateur doit toujours tenir cet appareil fermement à l'aide des poignées isolées équipées d'une surface anti-dérapante ergonomique.
- Portez toujours des lunettes de sécurité ou un masque intégral pour vous protéger des matériaux qui risquent d'être accidentellement éjectés du bac de mélange pendant le mélange.
- Portez toujours un masque anti-poussière pour vous protéger de tout matériau qui risque d'être éjecté du bac de mélange, surtout au début du processus de mélange.
- L'appareil doit toujours être démarré une fois la pale de mélange dans le bac de mélange. Démarrez l'appareil à la vitesse la plus basse, puis augmentez progressivement la vitesse jusqu'à atteindre la performance de mélange optimale.
- L'opérateur ne doit jamais tenter de mettre les mains ou tout autre objet ou outil dans le bac de mélange pendant l'opération de mélange.
- Cet appareil ne doit pas être utilisé dans un environnement potentiellement explosif. Sont notamment concernés les usines, garages et

autres espaces clos (boulangeries, silos à grains, etc.) qui risquent de contenir d'importantes quantités de poussière ou d'autres particules en suspension dans l'air.

- Cet appareil ne doit pas être utilisé pour mélanger des solvants facilement inflammables ou des substances contenant des solvants ayant un point d'éclair de moins de 21 °C.
- Pendant les opérations, si l'appareil doit être stocké temporairement (en étant placé sur une surface de travail horizontale), l'opérateur doit s'assurer que l'appareil est placé sur ses poignées, la pale constituant le troisième point d'appui.

PRISE EN MAIN - DÉBALLAGE

Mise en garde : Cet emballage contient des objets tranchants. Faites attention lors du déballage. Retirez l'appareil et les accessoires fournis de l'emballage. Vérifiez soigneusement que l'appareil est en bon état et que vous disposez de tous les accessoires énumérés dans ce manuel. Assurez-vous que tous les accessoires sont complets. S'il manque une ou plusieurs pièces, renvoyez l'appareil et ses accessoires dans leur emballage d'origine au revendeur. Ne jetez pas l'emballage. Conservez-le en bon état tout au long de la période de garantie. Jetez l'emballage d'une manière respectueuse de l'environnement. Si possible, recyclez-le.

Ne laissez pas les enfants jouer avec des sacs plastiques vides, en raison du risque de suffocation.

ARTICLES FOURNIS

Description	087-0001, 087-0001-K, 087-0004,	087-0001A, 087-0001-AK, 087-0001B, 087-0001BK, 087-0001C, 087-0004A
Mode d'emploi	✓	✓
Unité de moteur de mélangeur à pale sans fil	✓	✓
Pale de mélange hélicoïdale de 120 mm (Mélange vers le HAUT)	✓	✓
Clé à pales	✓	✓
Batterie de 2 Ah		
Batterie de 4 Ah		
Batterie de 5 Ah		✓
Batterie de 8 Ah		
Chargeur à port unique		✓
Chargeur à port double		

ACCESSOIRES COMPLÉMENTAIRES

En plus des articles standards fournis avec cet appareil, vous trouverez les accessoires suivants dans la boutique en ligne d'Evolution sur www.evolutionpowertools.com ou chez votre revendeur local.

Description	Pièce n°
Pale parallèle de 120 mm	123-0001
Pale en spirale de 120 mm	123-0002
Pale hélicoïdale de 120 mm (Mélange vers le HAUT)	123-0003
Pale hélicoïdale de 120 mm (Mélange vers le BAS)	123-0004
Pale hélicoïdale de 140 mm (Mélange vers le HAUT)	123-0005

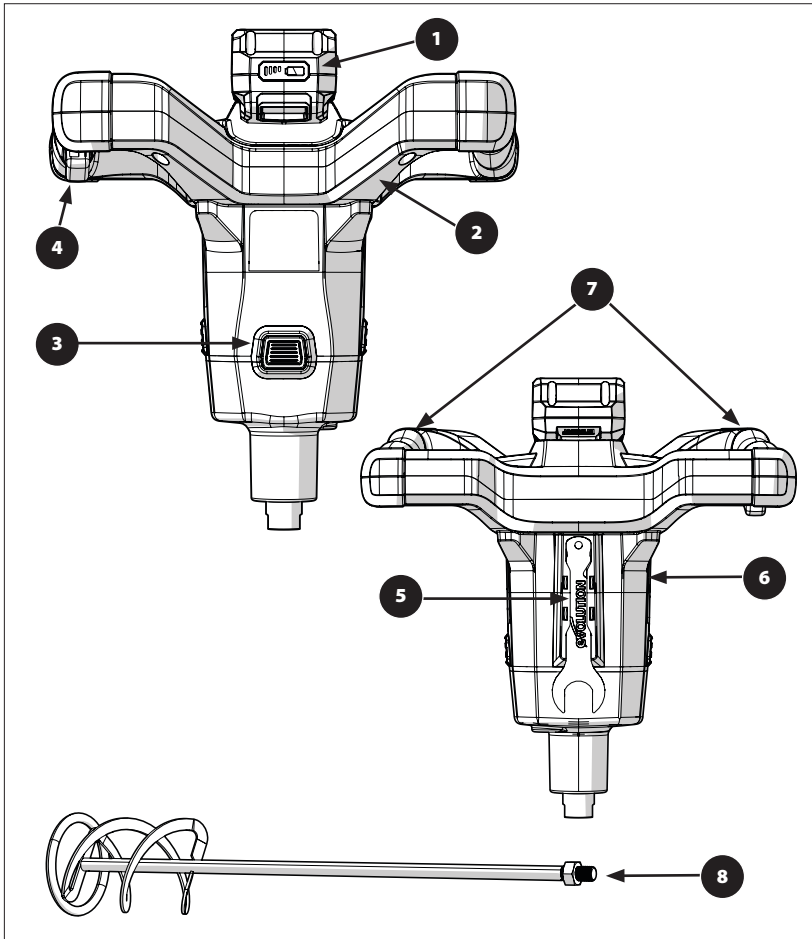
AVERTISSEMENT : Étant donné que les accessoires autres que ceux proposés par Evolution Power Tools Ltd n'ont pas été testés avec ce produit, l'utilisation de tels accessoires avec cet outil pourrait être dangereuse. Pour réduire le risque de blessure, seuls les accessoires recommandés par Evolution doivent être utilisés avec ce produit.

BATTERIES/CHARGEURS RECOMMANDÉS

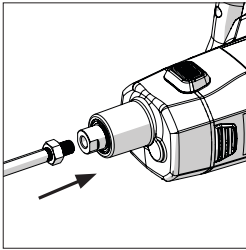
Description	Pièce n°	
Batterie de 2 Ah	R18BAT-Li2, R20BAT-Li2	EBAT18-Li-2
Batterie de 4 Ah	R18BAT-Li4, R20BAT-Li4	EBAT18-Li-4, EHPB18-Li-4
Batterie de 5 Ah	R18BAT-Li5, R20BAT-Li5	EBAT18-Li-5
Batterie de 8 Ah	R18BAT-Li8, R20BAT-Li8	EHPB18-Li-8
R18RCH-Li1 - Chargeur à port unique	R18RCH-Li1, R20RCH-Li1	EFC18-Li
R18RCH-Li2 - Chargeur à port double	R18RCH-Li2, R20RCH-Li2	EMC18-Li

si vous avez l'intention de stocker une batterie sans l'utiliser pendant un certain temps, stockez-la à température ambiante (entre 0 °C et 20 °C). Lors du stockage pendant des périodes prolongées, et rechargez-la une fois par an pour éviter une décharge excessive. La plage de température ambiante pour l'utilisation de l'outil et de la batterie est : entre 0 °C et 40 °C. Température de charge : 5 °C à 40 °C

PRÉSENTATION DE L'APPAREIL R120MXR-Li



- 1. BATTERIE
- 2. LAMPE DE TRAVAIL LED
- 3. BOUTON DE BLOCAGE DE L'ARBRE
- 4. GÂCHETTE DE VITESSE VARIABLE
- 5. RANGE-OUTILS INTÉGRÉ
- 6. UNITÉ MOTEUR
- 7. POIGNÉES
- 8. PALE



III. 1

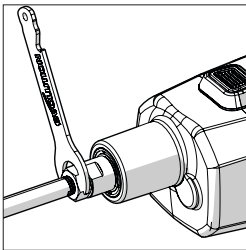
MONTAGE

La pale de mélange

Remarque : Le mélangeur à pale Evolution est fourni avec une pale de mélange polyvalente.

Insertion et retrait de la pale de mélange (III.1)

- 1) Insérez le filetage de la pale dans l'arbre en le tournant dans le sens des aiguilles d'un montre.
- 2) Serrez la pale en poussant et en maintenant le bouton de blocage de l'arbre. Serrez la pale dans le sens des aiguilles d'une montre en utilisant la clé fournie.
- 3) Pour retirer la pale, appuyez et maintenez le bouton de blocage de l'arbre, utilisez la clé fournie et procédez dans l'ordre inverse



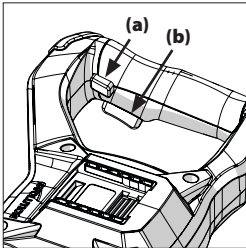
III. 2

Remarque : L'arbre de l'appareil (III. 2) dépasse de l'unité de moteur et comporte deux méplats usinés pour recevoir la clé fournie.

Le trou à l'intérieur de l'arbre comporte un filetage d'un diamètre de Ø14 mm. Ce filetage interne correspond au filetage externe d'un diamètre de Ø14 mm de l'arbre de la pale de mélange. Vissez la pale de mélange à l'arbre de l'appareil et serrez bien.

Position des mains

AVERTISSEMENT : pour réduire le risque de blessure grave, tenez TOUJOURS l'appareil avec les deux mains sur les poignées prévues, adoptez une position sûre et concentrez-vous sur le travail. Un couple inversé au niveau des poignées peut entraîner une perte de contrôle et provoquer des blessures.



III. 3

MODE D'EMPLOI

Pour installer/retirer la batterie

Pour installer la batterie, insérez-la fermement dans l'outil jusqu'à ce que vous entendiez un clic audible, en vous assurant que la batterie est bien en place et verrouillée en position. Pour retirer la batterie, appuyez sur le bouton de déverrouillage de la batterie et retirez la batterie de l'outil.

Faire fonctionner le mélangeur et contrôle de la vitesse variable

- N'utilisez pas cet outil pour mélanger ou pomper des fluides facilement combustibles ou explosifs (benzine, alcool, etc.)
- Ne mélangez pas ou ne remuez pas les liquides inflammables étiquetés en conséquence
- Vérifiez toujours les avertissements d'inflammabilité sur tout produit avant d'essayer de le mélanger.
- Immobilisez le récipient de mélange pour éviter qu'il ne tourne.
- Portez toujours des lunettes de protection, des gants et un masque respiratoire lorsque vous travaillez avec l'appareil.
- Portez des protections auditives lorsque vous travaillez pendant de longues périodes. Des niveaux de bruit élevés sur une période prolongée peuvent affecter votre audition.

Remarque : L'interrupteur à gâchette est placé de manière ergonomique sous la poignée droite.

- 1) Appuyez sur le bouton de verrouillage de sécurité (III. 3a) et maintenez-le enfoncé, puis appuyez sur la gâchette (III. 3b)
- 2) Appuyez sur la gâchette pour augmenter la vitesse de rotation.
- 3) Pour éteindre l'appareil, relâchez l'interrupteur à gâchette.

Pendant le processus de mélange, vous devez guider le mélangeur autour du récipient pour assurer un mélange plus homogène. Continuez jusqu'à ce que tout le matériau soit complètement mélangé.

Mise en garde : Si le mélangeur entre en contact avec la surface du récipient pendant qu'il fonctionne, il risque de rebondir.

Mise en garde : Diminuez TOUJOURS la vitesse lorsque vous immergez le mélangeur dans le matériau ou que vous le retirez. Une fois que le mélangeur est complètement immergé, augmentez à nouveau la vitesse pour vous assurer que le moteur est correctement refroidi.

Lampe de travail LED

Une fois l'interrupteur à gâchette relâché, la lampe de travail LED s'allume.

DÉPANNAGE

Protection contre les surcharges : L'appareil s'est arrêté de lui-même. L'appareil est trop chaud ! Laissez l'appareil fonctionner au ralenti jusqu'à ce qu'il ait refroidi.

ENTRETIEN

AVERTISSEMENT : Pour réduire le risque de blessures graves, éteignez et déconnectez la batterie avant d'effectuer tout réglage ou de retirer ou d'installer des accessoires.

Nettoyez l'appareil et la pale immédiatement après utilisation.

Nettoyez les pièces en plastique de l'appareil à l'aide d'un chiffon propre légèrement humide. N'utilisez pas de solvants ou de produits similaires qui pourraient endommager les parties en plastique.

Une quantité excessive d'étincelles peut indiquer la présence de saletés dans le moteur ou être un signe d'usure des balais en carbone. Si vous suspectez un tel dysfonctionnement, demandez à un technicien d'effectuer la maintenance de l'appareil et de remplacer les balais.

PROTECTION DE L'ENVIRONNEMENT

Ne jetez jamais d'outils électriques avec vos ordures ménagères.

Pour se conformer à la directive européenne 2012/19/UE relative aux équipements électriques et électroniques usagés et à sa transposition dans les législations nationales, les outils électriques usagés doivent être séparés des autres déchets et éliminés dans le respect de l'environnement, par ex. en les apportant dans un centre de recyclage.

Solution de recyclage autre que la requête de retour :

Au lieu de retourner l'équipement au fabricant, le propriétaire de l'équipement électrique peut également s'assurer qu'il respecte l'obligation d'éliminer correctement l'équipement s'il ne souhaite plus conserver l'équipement. L'équipement usagé peut être retourné à un point de collecte approprié qui l'éliminera conformément aux réglementations nationales en matière de recyclage et d'élimination des déchets. Ceci ne s'applique pas aux accessoires ou aides sans composants électriques fournis avec l'équipement usagé.

Dommages environnementaux dus à une élimination incorrecte des piles/batteries rechargeables.

Les batteries rechargeables ou non ne doivent pas être jetées avec les ordures ménagères habituelles. Elles peuvent contenir des métaux lourds toxiques et sont soumises aux règles et réglementations en matière de traitement des déchets dangereux. Veuillez jeter les batteries conformément aux exigences locales en vigueur.

Retirez la batterie du produit avant de le mettre au rebut.



DÉCLARATION CE DE CONFORMITÉ



Le fabricant du produit couvert par cette déclaration est :

RU : Evolution Power Tools, Venture One, Longacre Close, Holbrook Industrial Estate, Sheffield, S20 3FR.

FR : Evolution Power Tools SAS. 61 Avenue Lafontaine, 33560, Carbon-Blanc, Bordeaux, France.

Le fabricant déclare par les présentes que l'appareil, comme décrit dans la présente déclaration, satisfait à l'ensemble des dispositions pertinentes de la directive machines et aux autres directives appropriées comme listées ci-après.

Le fabricant déclare en outre que l'appareil, comme décrit dans la présente déclaration, satisfait aux dispositions pertinentes des exigences essentielles de santé et de sécurité.

Les directives couvertes par cette déclaration sont comme listées ci-après :

2006/42/CE.	Directive machines.
2014/30/CE.	Directive relative à la compatibilité électromagnétique.
2011/65/UE. et 2015/863/UE.	Limitation de l'utilisation de certaines substances dangereuses dans les équipements électriques (directive RoHS).
2012/19/UE.	Directive relative aux déchets d'équipements électriques et électroniques (DEEE).

Conforme aux dispositions prévues par les documents suivants :

**EN 62841-1:2015 • EN 62841-2-10:2017 • EN 55014-1:2017+A11:2020 •
EN IEC 55014-1-2021 • EN IEC 55014-2-2021**

Détails du produit

Description :	MÉLANGEUR À PALE SANS FIL R120MXR-Li
Code produit :	087-0001
Nom du fabricant :	EVOLUTION
Tension :	18 d.c.

La documentation technique prouvant que le produit est conforme aux exigences de la directive peut être consultée auprès des autorités de contrôle. Elle permet de vérifier que notre dossier technique contient tous les documents répertoriés ci-dessus et qu'ils sont la norme pour le produit, comme présenté ci-dessus.

Nom et adresse du détenteur de la documentation technique.

Signature :  Nom : Barry Bloomer - PDG

Date : 22/03/2022

RU : Evolution Power Tools, Venture One, Longacre Close, Holbrook Industrial Estate, Sheffield, S20 3FR.

FR : Evolution Power Tools SAS. 61 Avenue Lafontaine, 33560, Carbon-Blanc, Bordeaux, France.

DÉCLARATION CE DE CONFORMITÉ



Le fabricant du produit couvert par cette déclaration est :

RU : Evolution Power Tools, Venture One, Longacre Close, Holbrook Industrial Estate, Sheffield, S20 3FR.

FR : Evolution Power Tools SAS. 61 Avenue Lafontaine, 33560, Carbon-Blanc, Bordeaux, France.

Le fabricant déclare par les présentes que l'appareil, comme décrit dans la présente déclaration, satisfait à l'ensemble des dispositions pertinentes de la directive machines et aux autres directives appropriées comme listées ci-après.

Le fabricant déclare en outre que l'appareil, comme décrit dans la présente déclaration, satisfait aux dispositions pertinentes des exigences essentielles de santé et de sécurité.

Les directives couvertes par cette déclaration sont comme listées ci-après :

Législation britannique _ Règlements de 2008 sur l'approvisionnement en machines (sécurité) ;
Législation britannique _ Règlements de 2016 sur la compatibilité électromagnétique ;
Législation britannique _ Règlements de 2012 sur la restriction de l'utilisation de certaines substances dangereuses dans les équipements électriques et électroniques
Législation britannique _ Règlements de 2013 sur les déchets d'équipements électriques et électroniques

Conforme aux dispositions prévues par les documents suivants :

BS EN 62841-1:2015 • BS EN 62841-2-10: 2017;
BS EN IEC 55014-1-2021 • BS EN IEC 55014-2-2021

Détails du produit

Description : MÉLANGEUR À PALE SANS FIL R120MXR-Li
 Code produit : 087-0001
 Nom du fabricant : EVOLUTION
 Tension : 18 d.c.

La documentation technique prouvant que le produit est conforme aux exigences de la directive peut être consultée auprès des autorités de contrôle. Elle permet de vérifier que notre dossier technique contient tous les documents répertoriés ci-dessus et qu'ils sont la norme pour le produit, comme présenté ci-dessus.

Nom et adresse du détenteur de la documentation technique.

Signature :  Nom : Barry Bloomer - PDG

Date : 22/03/2022

RU : Evolution Power Tools, Venture One, Longacre Close, Holbrook Industrial Estate, Sheffield, S20 3FR.

FR : Evolution Power Tools SAS. 61 Avenue Lafontaine, 33560, Carbon-Blanc, Bordeaux, France.

Remarques

FR

IMPORTANTE

Si prega di leggere attentamente tutte le istruzioni d'uso e di sicurezza.

Per la propria sicurezza, se sussistono dubbi circa un qualsiasi aspetto riguardante l'utilizzo di questa attrezzatura, si prega di contattare l'assistenza tecnica telefonica al numero indicato sul sito web di Evolution Power Tools.

La nostra organizzazione internazionale gestisce diverse linee telefoniche di assistenza. In alternativa, anche il fornitore del prodotto può offrire assistenza tecnica.

WEB

www.evolutionpowertools.com

E-MAIL**UK:**

customer.services@evolutionpowertools.com

Stati Uniti:

evolutioninfo@evolutionpowertools.com

GARANZIA

Congratulazioni per l'acquisto di un prodotto Evolution Power Tools. Si prega di completare online la registrazione del prodotto così come illustrato nella brochure acclusa al presente apparecchio. In tal modo sarà possibile convalidare il periodo di garanzia dell'apparecchio tramite il sito web di Evolution introducendo i propri dati e assicurandosi un'assistenza immediata qualora necessario.

La ringraziamo sinceramente per aver scelto un prodotto Evolution Power Tools.

Evolution Power Tools si riserva il diritto di apportare migliorie e modifiche al design dei prodotti senza preavviso.

Si prega di consultare il documento per la registrazione della garanzia e/o la confezione per ulteriori dettagli sui termini e condizioni della garanzia.

R120MXR-Li SPECIFICHE

SPECIFICHE UTENSILE	UK/EU/AUS	USA
Codice prodotto	087-0001, 087-0001-K, 087-0001A-K, 087-0001A, 087-0001B, 087-0001B-K, 087-0001C	087-0004, 087-0004A
Potenza	18 V c.c.	20 V c.c.
Velocità a vuoto	0-650 min ⁻¹	0-650 rpm
Peso senza frusta (senza batteria)	3,9 kg	8,6 lbs
Peso con frusta (senza batteria)	5,1 kg	11,2 lbs
Capacità massima	40 L	
Dimensione frusta (in dotazione)	120 mm	4-11/16 In.
Innesto frusta	14 mm (femmina)	8/16 In.
Frusta in dotazione	120 mm (4-11/16 In.) Frusta multiuso a elica	

DATI RUMOROSITÀ E VIBRAZIONI	
Livello potenza acustica (L _{WA})	18 V/20 V: L _{WA} : 90,5 dB(A), K _{WA} : 3 dB(A)
Livello pressione acustica (L _{PA})	18/20 V: L _{PA} : 79,5 dB(A), K _{PA} : 3 dB(A)
Vibrazioni (m/sec ²) Impugnatura sinistra	18/20 V: a _h = 1,777 m/s ² Incertezza K=1,5 m/s ²
Vibrazioni (m/sec ²) Impugnatura destra	18/20 V: a _h = 1,655 m/s ² Incertezza K=1,5 m/s ²

Avvertenza: La misurazione delle vibrazioni è stata eseguita in condizioni standard ai sensi della normativa:

EN 62841-1: 2015, EN 62841-2-10:2017

La misurazione del valore totale dichiarato delle vibrazioni è stata eseguita in accordo con un metodo di verifica standard. Esso può essere usato per confrontare un utensile con un altro.

Il valore totale dichiarato delle vibrazioni può essere usato inoltre per una valutazione preliminare dell'esposizione a esse.

VIBRAZIONI

ATTENZIONE: Durante l'utilizzo del presente utensile, l'operatore può essere esposto a un alto livello di vibrazioni trasmesse al braccio e alla mano. L'operatore potrebbe sviluppare la sindrome del dito bianco da vibrazione (sindrome di Raynaud). Tale patologia può ridurre la sensibilità della mano alla temperatura e provocare un intorpidimento generale. Coloro che utilizzano su base regolare e in maniera prolungata nel tempo il presente utensile devono monitorare attentamente la condizione delle proprie mani e dita. Qualora si manifestassero con evidenza uno o più sintomi, consultare immediatamente un medico.

- La misurazione e la valutazione dell'esposizione alle vibrazioni trasmesse all'arto sul posto di lavoro è contemplata nelle normative:
EN 62841-1 e EN 62841-2-10
- Numerosi fattori possono influenzare il livello reale delle vibrazioni durante il funzionamento, come ad esempio la condizione e l'orientamento della superficie di lavoro e il tipo e lo stato dell'apparecchio in uso. Tali fattori devono essere valutati prima di ogni utilizzo, e, laddove possibile, devono essere messe in atto le idonee pratiche lavorative. La buona gestione dei seguenti fattori può concorrere a ridurre gli effetti delle vibrazioni:

Manipolazione

- Maneggiare l'utensile con cura, consentendogli di effettuare il proprio lavoro.
- Evitare di usare eccessiva forza fisica sui controlli dell'utensile.
- Assumere una posizione sicura e in equilibrio e mantenere l'orientamento dell'utensile durante l'uso.

Superficie di lavoro

- Tenere in considerazione il materiale della superficie di lavoro; la sua condizione, densità, resistenza, rigidità e orientamento.

ATTENZIONE: L'emissione di vibrazioni durante l'uso effettivo dell'utensile può differire dal valore totale dichiarato in base al modo in cui l'utensile è impiegato. La necessità di identificare misure di sicurezza che tutelino l'operatore è basata su una stima dell'esposizione al pericolo nelle condizioni d'uso reali (prendendo in considerazione tutti i componenti del ciclo di funzionamento, come le tempistiche di spegnimento dell'utensile e del suo funzionamento a vuoto, in aggiunta al tempo di attivazione).

ETICHETTE E SIMBOLI

ATTENZIONE: Non mettere in funzione il presente apparecchio qualora le etichette di sicurezza e/o le istruzioni risultino mancanti o danneggiate. Contattare Evolution Power Tools per le etichette sostitutive.

Avvertenza: Tutti o alcuni dei seguenti simboli possono essere presenti nel manuale o sul prodotto.

Simbolo	Descrizione
V	Volt
A	Ampere
Min ⁻¹ /rpm	Velocità
~	Corrente alternata
n ₀	Velocità a vuoto
	Indossare occhiali di sicurezza
	Indossare protezioni acustiche
	Indossare protezioni antipolvere
	Leggere le istruzioni
	Doppio isolamento
	Certificazione CE
	Certificazione UKCA
	Certificazione TÜV SÜD
	Smaltimento di apparecchiature elettriche ed elettroniche
	Smaltimento e riciclaggio rifiuti secondo la normativa Triman
	Attenzione
	Marchio di conformità ai requisiti per le apparecchiature elettriche ed elettroniche (RCM). Standard Australia/ Nuova Zelanda 5490
	Tenere lontano da fonti di calore e fiamme libere - Non smaltire gettando nel fuoco

	Tenere lontano dall'acqua - Non immergere nei liquidi
	Temperatura massima
	Tensione CC

DESTINAZIONE D'USO DELL'ELETTROUTENSILE

ATTENZIONE: Il presente prodotto è un miscelatore cordless portatile ed è stato progettato per essere utilizzato con specifiche fruste Evolution. Utilizzare esclusivamente accessori progettati per l'utilizzo sul presente apparecchio e/o quelli espressamente raccomandati da Evolution Power Tools Ltd.

Se equipaggiato con una frusta idonea, il presente utensile può essere utilizzato per miscelare:

Intonaco | Vernice | Malta | Colla
Cemento | Prodotti da costruzione in polvere

USO NON CONSENTITO DELL'ELETTROUTENSILE

ATTENZIONE: Il presente prodotto è un miscelatore a frusta a funzionamento manuale e deve essere utilizzato esclusivamente come tale. Esso non deve in alcun modo essere modificato, o utilizzato per alimentare qualunque altro apparecchio o manovrare un qualunque accessorio differente da quelli identificati nel presente manuale di istruzioni.

Il presente miscelatore non deve essere impiegato per la preparazione di qualunque materiale alimentare.

ATTENZIONE: Il presente utensile non è progettato per essere impiegato da persone (bambini inclusi) con capacità fisiche, sensoriali o mentali ridotte, o da utenti privi di esperienza e conoscenza, a meno che essi non siano supervisionati o istruiti circa il suo utilizzo in sicurezza da un responsabile competente in tal senso.

Si consiglia di controllare che i bambini non abbiano accesso al presente utensile e che non abbiano la possibilità di giocarci.

ISTRUZIONI GENERALI SULLA SICUREZZA DEGLI ELETTROUTENSILI

ISTRUZIONI GENERALI SULLA SICUREZZA

(Le presenti istruzioni generali di sicurezza degli elettrotensili sono redatte in accordo alla normativa EN 62841-1:2015, UL Std. UL 62841-1 e CSA Std. C22.2 N. 62841-1).

ATTENZIONE: Leggere tutte le avvertenze di sicurezza, istruzioni, illustrazioni e specifiche fornite con il presente elettrooutensile.

Il mancato rispetto delle avvertenze e delle istruzioni può comportare scosse elettriche, rischio di incendio e/o gravi lesioni.

Conservare tutte le avvertenze e le istruzioni per future consultazioni.

La dicitura "elettrooutensile" nelle avvertenze si riferisce al presente elettrooutensile alimentato via rete elettrica (con cavo) o a batteria (senza cavo).

ATTENZIONE: Leggere tutte le istruzioni e le avvertenze di sicurezza. Il mancato rispetto delle avvertenze e delle istruzioni può comportare scosse elettriche, rischio di incendio e/o lesioni gravi.

Conservare tutte le avvertenze e le istruzioni per future consultazioni. La dicitura "elettrooutensile" nelle avvertenze si riferisce al presente elettrooutensile alimentato via rete elettrica (con cavo) o a batteria (senza cavo).

1) Avvertenze generali sulla sicurezza degli elettrooutensili [Sicurezza dell'area di lavoro]

a) Mantenere l'area di lavoro pulita e ben illuminata. Aree disordinate o non adeguatamente illuminate potrebbero dar luogo a infortuni.

b) Non lavorare con elettrooutensili in ambienti a rischio di esplosione, in presenza di liquidi, gas o polveri infiammabili. Gli elettrooutensili generano scintille che possono incendiare la polvere o i vapori.

c) Tenere lontani i bambini e altre persone durante l'uso dell'elettrooutensile. In caso di distrazione si potrebbe perdere il controllo dell'apparecchio.

2) Avvertenze generali sulla sicurezza degli elettrooutensili [Sicurezza elettrica]

a) Le spine di alimentazione degli elettrooutensili devono essere idonee all'inserimento nella presa. La spina non deve essere assolutamente modificata. Non utilizzare connettori adattatori con elettrooutensili collegati a terra. Le spine non modificate e le prese idonee riducono il rischio di scosse elettriche.

b) Evitare il contatto diretto con superfici collegate a terra, come tubi, termosifoni, stufe e frigoriferi. Quando il corpo è a diretto contatto con la terra sussiste un maggiore pericolo di scosse elettriche.

c) Non esporre gli elettrooutensili alla pioggia o all'umidità. La penetrazione di acqua in un apparecchio elettrico aumenta il rischio di scosse elettriche.

d) Non sollecitare eccessivamente il cavo di alimentazione. Non utilizzare mai il cavo per trasportare, tirare o scollegare l'elettrooutensile.

Tenere il cavo al riparo da calore, olio, spigoli vivi o parti in movimento. I cavi danneggiati o aggrovigliati aumentano il rischio di scosse elettriche.

e) Quando si utilizza un elettrooutensile in ambiente esterno, utilizzare solo una prolunga omologata per l'uso all'aperto. L'utilizzo di un cavo omologato per l'utilizzo all'aperto riduce il rischio di scosse elettriche.

f) Se è inevitabile l'uso dell'elettrooutensile in ambiente umido, impiegare un alimentatore dotato di interruttore differenziale (RCD). L'utilizzo di un RCD riduce il rischio di scosse elettriche.

3) Avvertenze generali sulla sicurezza degli elettrooutensili [Sicurezza delle persone].

a) Agire sempre con attenzione, osservare le proprie azioni e procedere in modo ragionevole quando si adopera un elettrooutensile. Non utilizzare l'elettrooutensile quando si è stanchi o sotto l'effetto di droghe, alcol o farmaci.

Un solo momento di disattenzione nell'uso dell'elettrooutensile può dare luogo a gravi lesioni.

b) Utilizzare i dispositivi di protezione personale. Indossare sempre gli occhiali di sicurezza. L'uso di dispositivi di protezione individuale come mascherina antipolvere, scarpe anti-infortunistiche anti-scivolo, casco protettivo o protezioni acustiche a seconda dell'impiego dell'elettrooutensile riduce il rischio di lesioni personali.

c) Evitare l'accensione involontaria. Accertarsi che l'elettrooutensile sia spento prima di collegarlo all'alimentazione e/o alla batteria, sollevarlo o trasportarlo. Tenendo il dito sull'interruttore mentre si trasporta l'elettrooutensile o collegando l'apparecchio alla rete elettrica con l'interruttore già acceso, si possono verificare infortuni.

d) Rimuovere eventuali utensili di regolazione o chiavi inglesi prima di accendere l'elettrooutensile. Un utensile o una chiave lasciati attaccati a una parte rotante di un apparecchio possono provocare lesioni personali.

e) Evitare posture innaturali. Provvedere a una posizione sicura e mantenere sempre l'equilibrio. Ciò garantisce un controllo migliore dell'elettrooutensile in caso di situazioni impreviste.

f) Indossare un abbigliamento idoneo. Non indossare abiti ampi o gioielli. Tenere lontani i capelli, gli abiti e i guanti dalle parti in movimento. Gli abiti ampi, i gioielli o i capelli lunghi possono impigliarsi nelle parti mobili.

g) Se è possibile montare aspirapolvere e dispositivi di raccolta, accertarsi che siano collegati e che vengano utilizzati correttamente. L'uso di un aspirapolvere può ridurre i pericoli associati alla polvere.

h) Non permettere che la familiarità d'uso degli utensili dovuta al frequente utilizzo comporti leggerezza e noncuranza riguardo ai principi di sicurezza. Un'azione incauta può produrre conseguenze gravi nel giro di pochi secondi.

4) Avvertenze generali sulla sicurezza degli elettrooutensili [Uso e manipolazione dell'elettrooutensile].

a) Non sovraccaricare l'apparecchio. Utilizzare l'elettrooutensile idoneo al proprio lavoro. Con l'elettrooutensile adatto si lavora meglio e con maggiore sicurezza nell'intervallo di prestazione indicata.

b) Non utilizzare elettrooutensili con interruttori guasti. Un elettrooutensile che non si riesce più a spegnere o ad accendere è pericoloso e deve essere riparato.

c) Disconnettere l'elettrooutensile dalla fonte di alimentazione prima di eseguire impostazioni, sostituire gli accessori o riparare l'apparecchio. Questa misura precauzionale impedisce l'avvio involontario dell'elettrooutensile.

d) Conservare gli elettrooutensili non utilizzati fuori dalla portata dei bambini. Non consentire l'uso dell'apparecchio a persone che non abbiano familiarità con il funzionamento o che non hanno letto le presenti istruzioni. Gli elettrooutensili sono pericolosi se utilizzati da persone inesperte.

e) Manutenzione degli elettrooutensili.

Controllare che le parti mobili dell'apparecchio funzionino perfettamente, che non si inceppino e che non vi siano elementi rotti o danneggiati al punto da compromettere la funzione dell'elettrooutensile. Nel caso risulti danneggiato, far riparare l'elettrooutensile prima dell'utilizzo. Molti infortuni derivano da una cattiva manutenzione degli elettrooutensili.

f) Mantenere gli utensili da taglio ben affilati e puliti. Gli utensili da taglio trattati con cura e con angoli di taglio affilati si inceppano meno spesso e sono più facili da controllare.

g) Utilizzare elettrooutensili, accessori, utensili, ecc. in conformità con le presenti istruzioni, tenendo in considerazione le condizioni di lavorazione e l'attività da eseguire. L'uso di elettrooutensili per applicazioni diverse da quelle previste può dare luogo a situazioni di pericolo.

i) Tenere le impugnature e le superfici di presa asciutte, pulite e libere da olio e grassi. Impugnature e superfici di presa scivolose non consentono la gestione in sicurezza e il controllo dell'utensile in situazioni impreviste.

5) Uso e trattamento degli utensili a batteria

a) Caricare le batterie solo con i caricabatterie che vengono consigliati dal costruttore. Se un caricatore adatto a un determinato tipo di batteria viene utilizzato con batterie diverse, vi è pericolo di incendio.

b) Utilizzare solo le batterie appositamente

previste per gli elettrooutensili. L'uso di batterie diverse può dare luogo a lesioni e al rischio di incendio.

c) Tenere la batteria non utilizzata lontano da graffette, monete, chiavi, chiodi, viti o altra minuteria in metallo, poiché tali oggetti potrebbero provocare un cortocircuito fra i contatti. Un corto circuito fra i contatti della batteria può dare luogo a ustioni o incendio.

d) In caso di utilizzo errato potrebbe fuoriuscire del liquido dalle batterie. Evitare il contatto con tale liquido. In caso di contatto accidentale, sciacquare con acqua. Se il liquido entra a contatto con gli occhi, consultare inoltre un medico. Il liquido che fuoriesce dalla batteria potrebbe provocare irritazioni cutanee o ustioni.

e) Non utilizzare una batteria o un utensile danneggiato o modificato. Batterie danneggiate o modificate potrebbero avere reazioni impreviste e causare incendi, esplosioni o rischio di lesioni.

f) Non esporre una batteria o l'utensile a fiamme o a temperatura eccessiva.

L'esposizione a una fiamma o a una temperatura superiore a 130 °C potrebbe provocare esplosioni. **Avvertenza:** La temperatura di 130 °C equivale a quella di 265 °F.

g) Seguire tutte le istruzioni di carica e non caricare la batteria o l'utensile al di fuori dell'intervallo di temperatura in esse specificato. Un caricamento non corretto o al di fuori dell'intervallo di temperatura specificato può rendere inservibile la batteria e aumentare il rischio di incendio.

6) Assistenza

a) Accertarsi di far riparare il proprio utensile elettrico solo da personale qualificato con l'utilizzo di ricambi originali identici.

Ciò consentirà di preservare la sicurezza dell'elettrooutensile.

b) Non effettuare mai riparazioni di batterie danneggiate. La riparazione delle batterie deve essere effettuata esclusivamente dal costruttore o dal personale autorizzato dei centri assistenza.

Istruzioni di sicurezza del miscelatore

a) Afferrare l'utensile con entrambe le mani tramite le apposite impugnature. La perdita di controllo può causare lesioni personali.

b) Garantire sufficiente ventilazione quando si miscelano materiali infiammabili in modo da evitare un ambiente atmosferico pericoloso. Il vapore prodotto può essere inalato o infiammato dalle scintille prodotte dall'utensile elettrico.

c) Non miscelare prodotti alimentari. Gli utensili elettrici e i loro accessori non sono progettati per la lavorazione di alimenti.

d) Accertarsi che il recipiente del miscelatore sia posizionato su una superficie stabile e sicura per evitare che esso si capovolga.

Un recipiente non adeguatamente fissato può muoversi inaspettatamente.

- e) Accertarsi che nessun liquido schizzi contro il corpo dell'utensile elettrico.** I liquidi che penetrano all'interno dell'utensile elettrico possono causare danni e il rischio di folgorazione.
- f) Seguire le istruzioni e le avvertenze relative al materiale da miscelare.** Il materiale da miscelare può essere pericoloso.
- g) Nel caso in cui l'elettrotutensile cada nel materiale da miscelare, rimuovere la batteria dal macchinario e farlo immediatamente controllare da tecnico riparatore certificato.**
- h) Non infilare le mani o inserire oggetti nel contenitore del miscelatore mentre esso è funzione.** Il contatto con il contenitore può causare gravi lesioni personali.
- i) Avviare e mettere in opera l'utensile esclusivamente all'interno del contenitore di miscelazione.** Il contenitore per la miscelazione può incurvarsi o girare in maniera incontrollata.

INDICAZIONI SANITARIE

ATTENZIONE: Durante l'utilizzo dell'utensile, si possono produrre particelle di polvere. In alcune circostanze, a seconda del materiale sul quale si sta lavorando, tali polveri possono risultare particolarmente dannose. Qualora si abbia il sospetto che la vernice presente sulla superficie del materiale sul quale si sta operando contenga piombo, richiedere una consulenza professionale. Le vernici a base di piombo devono essere rimosse esclusivamente da professionisti. Si consiglia fortemente di provare a farlo in prima persona. Una volta che la polvere si è depositata sulla superficie, il contatto tra mani e bocca può causare l'ingestione di piombo. L'esposizione a livelli anche ridotti di piombo può causare danni neurologici e al sistema nervoso irreversibili. Bambini e feti sono particolarmente sensibili a tale pericolo. Si consiglia di tenere in considerazione i pericoli associati ai materiali sui quali si opera e di ridurre il rischio di esposizione. Data la potenziale pericolosità delle polveri prodotte da alcuni materiali, si raccomanda di usare una mascherina certificata per naso e bocca dotata di filtri sostituibili durante l'utilizzo di questo apparecchio.

È sempre necessario:

- Lavorare in un'area ben ventilata.
- Lavorare con materiale di sicurezza approvato, come maschere antipolvere specificamente progettate per filtrare particelle microscopiche.

ATTENZIONE: il funzionamento di qualunque utensile elettrico può comportare il rischio che un oggetto estraneo sia scagliato verso gli occhi, causando lesioni oculari gravi. Prima di iniziare a utilizzare un utensile elettrico, indossare sempre occhiali di protezione o occhiali di sicurezza

con protezioni laterali o una maschera facciale completa quando necessario.

ISTRUZIONI SUPPLEMENTARI SULLA SICUREZZA

- È necessario reperire un adeguato contenitore da miscelazione industriale, preferibilmente in plastica, da posizionare su una superficie orizzontale stabile e sicura.
- L'operatore dovrebbe adottare una postura stabile con entrambi i piedi ben piantati a terra e leggermente distanti. Il presente utensile richiede inoltre l'utilizzo di entrambe le mani. Il presente utensile non può essere usato con un'unica mano.
- L'operatore deve indossare abiti da lavoro attillati o una tuta da lavoro attrezzata durante l'uso del presente attrezzo. Gli indumenti larghi rappresentano un rischio dato che possono impigliarsi nelle parti in rotazione dell'utensile.
- Collane e gioielli larghi devono essere rimossi e posti al sicuro prima di avviare il presente utensile. I gioielli di grandi dimensioni possono rappresentare un rischio dato che possono impigliarsi nelle parti in rotazione dell'utensile.
- L'operatore deve afferrare saldamente il presente utensile tramite le impugnature isolate dotate di superficie di presa ergonomica.
- È necessario indossare sempre occhiali di sicurezza o una maschera integrale per il viso così da fornire protezione dal materiale che potrebbe essere accidentalmente proiettato dal contenitore di miscelazione durante le operazioni.
- È necessario indossare una maschera antipolvere per fornire protezione da materiale che può essere espulso dal contenitore, in particolare durante le fasi iniziali della miscelazione.
- L'utensile deve essere avviato solo quando la frusta miscelatrice è nel contenitore di miscelazione. Avviare l'utensile con la velocità al minimo regolandola e aumentandola gradualmente fino a raggiungere la prestazione ideale di miscelazione.
- L'operatore non deve mai inserire le mani, qualunque altro oggetto o attrezzo nel contenitore di miscelazione durante il funzionamento dell'utensile.
- Il presente utensile non deve essere utilizzato in ambienti con una condizione ambientale atmosferica potenzialmente esplosiva. Ciò può includere fabbriche, garage e altri spazi confinati (forni, silos cereali ecc.) che possono contenere una quantità significativa di polveri volatili o altre particelle.
- Il presente utensile non deve essere utilizzato per miscelare solventi facilmente infiammabili o contenenti sostanze con punto di infiammabilità

inferiore a 21 °C.

- Durante le operazioni, qualora l'utensile debba essere riposto temporaneamente (posizionandolo su una superficie di lavoro orizzontale), l'operatore deve accertarsi che esso sia poggiato sulle proprie impugnature con la frusta a fornire un terzo punto di contatto.

INFORMAZIONI INTRODUTTIVE - DISIMBALLAGGIO

Attenzione: Il pacco contiene oggetti taglienti. Prestare attenzione durante l'apertura. Rimuovere l'apparecchio insieme agli accessori inclusi nell'imballo. Controllare attentamente che l'apparecchio sia in buone condizioni e verificare che siano presenti tutti gli accessori elencati nel presente manuale. Accertarsi inoltre che tutti gli accessori siano completi in ogni loro parte. Qualora si riscontrino parti mancanti, l'apparecchio e i suoi accessori devono essere restituiti al rivenditore insieme all'imballo originale. Non gettare via l'imballo. Conservarlo intatto per la durata del periodo di garanzia. Smaltire il materiale d'imballaggio in maniera eco-responsabile. Riciclare laddove possibile. Non consentire ai bambini di giocare con le buste di plastica vuote a causa del rischio di soffocamento.

COMPONENTI IN DOTAZIONE

Descrizione	087-0001, 087-0001-K, 087-0004,	087-0001A, 087-0001-AK, 087-0001B, 087-0001BK, 087-0001C, 087-0004A
Manuale di istruzioni	✓	✓
Unità motore del miscelatore cordless a frusta	✓	✓
Miscelatore con frusta a elica da 120 mm (miscelazione verso l'alto)	✓	✓
Chiave per la frusta	✓	✓
Batteria 2 Ah		
Batteria 4 Ah		
Batteria 5 Ah		✓
Batteria 8 Ah		
Caricatore ad attacco singolo		✓
Caricatore ad attacco doppio		

ACCESSORI SUPPLEMENTARI

In aggiunta ai componenti standard forniti unitamente all'utensile, sono disponibili anche i seguenti accessori sul negozio online di Evolution all'indirizzo www.evolutionpowertools.com o tramite il proprio rivenditore locale.

Descrizione	Parte N.
Frusta parallela da 120 mm	123-0001
Frusta a spirale da 120 mm	123-0002
Frusta a elica da 120 mm (Miscelazione verso l'ALTO)	123-0003
Frusta a elica da 120 mm (Miscelazione verso il BASSO)	123-0004
Frusta a elica da 140 mm (Miscelazione verso l'ALTO)	123-0005

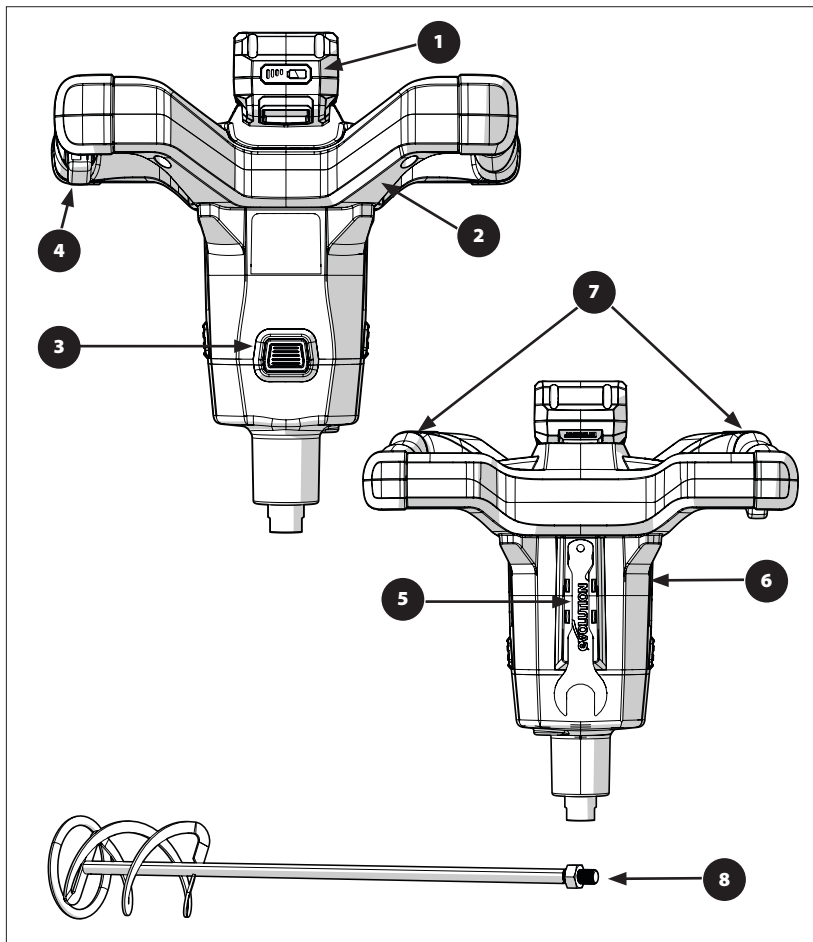
ATTENZIONE: Dato che gli accessori diversi da quelli proposti da Evolution Power Tools Ltd non sono stati testati con il presente prodotto, il loro utilizzo in combinazione con esso può presentare pericoli. Per evitare il rischio di lesioni, si consiglia di usare il presente prodotto esclusivamente con accessori raccomandati da Evolution.

BATTERIE/CARICATORI RACCOMANDATI

Descrizione	Parte N.	
Batteria 2 Ah	R18BAT-Li2, R20BAT-Li2	EBAT18-Li-2
Batteria 4 Ah	R18BAT-Li4, R20BAT-Li4	EBAT18-Li-4, EHPB18-Li-4
Batteria 5 Ah	R18BAT-Li5, R20BAT-Li5	EBAT18-Li-5
Batteria 8 Ah	R18BAT-Li8, R20BAT-Li8	EHPB18-Li-8
R18RCH-Li1- Caricatore ad attacco singolo	R18RCH-Li1, R20RCH-Li1	EFC18-Li
R18RCH-Li2- Caricatore ad attacco doppio	R18RCH-Li2, R20RCH-Li2	EMC18-Li

Se si prevede di non utilizzare la batteria per un certo periodo di tempo, conservarla a temperatura ambiente (0 °C - 20 °C). In caso di immagazzinamento per periodi particolarmente lunghi, caricare a pieno la batteria una volta all'anno per prevenirne lo scaricamento eccessivo; L'intervallo di temperatura ambientale per l'utilizzo del dispositivo e della batteria è: 0 °C - 40 °C. Temperatura di carica: 5 °C - 40 °C

R120MXR-Li PANORAMICA DELL'UTENSILE



1. PACCO BATTERIA
2. LUCE DI LAVORO LED
3. PULSANTE DI BLOCCO MANDRINO
4. INTERRUTTORE A PRESSIONE DI VELOCITÀ VARIABILE
5. ALLOGGIAMENTO INTEGRATO PER ATTREZZO IN DOTAZIONE
6. UNITÀ MOTORE
7. IMPUGNATURE
8. FRUSTA

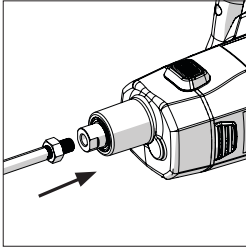


Fig. 1

MONTAGGIO

La frusta miscelatrice

Avvertenza: Il miscelatore a frusta Evolution è fornito con una frusta da miscelazione multiuso.

Inserimento e rimozione della frusta miscelatrice (Fig. 1)

- 1) Inserire la filettatura della frusta nel mandrino girandola in senso orario.
- 2) Fissare la frusta tenendo premuto il pulsante di blocco del mandrino e utilizzando la chiave in dotazione per serrare la frusta in senso orario.
- 3) Per rimuovere la frusta tenere premuto il pulsante di blocco del mandrino, utilizzare la chiave in dotazione e procedere in senso inverso

Avvertenza: Il mandrino dell'utensile (Fig. 2) si estende dall'unità motore e ha due placche integrate per riporre la chiave inglese in dotazione. Il foro interno del mandrino ha filettatura Ø14 mm. Tale filettatura interna corrisponde a quella esterna da Ø14 mm che si trova sull'asta della frusta miscelatrice. La frusta miscelatrice deve essere avvitata al mandrino dell'utensile e serrata saldamente.

Posizione delle mani

ATTENZIONE: al fine di ridurre il rischio di gravi infortuni, afferrare SEMPRE l'utensile con entrambe le mani tramite le apposite impugnature, assumere una posizione stabile e concentrarsi sul lavoro. La trazione di coppia in senso invertito sulle impugnature può causare perdita di controllo e infortuni personali.

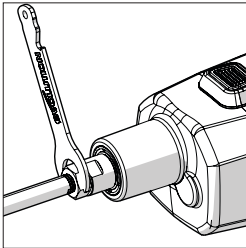


Fig. 2

ISTRUZIONI DI FUNZIONAMENTO

Installazione/rimozione della batteria

Per installare la batteria, spingerla con decisione nell'utensile fino a che non si avverte un click, accertarsi che la batteria sia del tutto in sede e bloccata in posizione. Per rimuovere la batteria, premere il pulsante di rilascio ed estrarla dall'utensile.

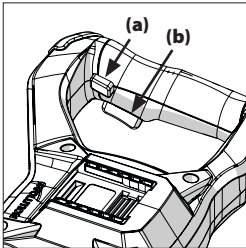


Fig. 3

Utilizzo del miscelatore e controllo della velocità variabile

- Non utilizzare il presente utensile per miscelare o pompare fluidi esplosivi o facilmente combustibili (benzina, alcool, ecc.)
- Non miscelare o agitare liquidi infiammabili contrassegnati come tali
- Verificare sempre su qualunque prodotto le avvertenze relative all'infiammabilità prima di accingersi a miscelarlo.
- Bloccare il contenitore adibito alla miscelazione in maniera che non possa capovolgersi.
- Indossare sempre occhiali e guanti protettivi e una maschera respiratoria durante l'utilizzo del presente utensile.
- Indossare protezioni auricolari durante gli utilizzi prolungati. Alti livelli di rumorosità per periodi di tempo prolungati possono incidere sul proprio udito.

Avvertenza: L'interruttore a pressione è ergonomicamente posizionato sul lato inferiore dell'impugnatura destra.

- 1) Premere il pulsante del blocco di sicurezza (Fig. 3a) e tenerlo premuto, quindi premere l'interruttore (Fig. 3b)
- 2) Premere l'interruttore per aumentare la velocità di rotazione.
- 3) Per spegnere, rilasciare l'interruttore a pressione.

Durante la procedura di miscelazione, è consigliato manovrare il miscelatore all'interno del recipiente per garantire un risultato più omogeneo. Continuare fin quando tutto il materiale è interamente miscelato.

Attenzione: Il miscelatore può generare un contraccolpo nel caso in cui entri in contatto con le pareti del contenitore durante il funzionamento.

Attenzione: Ridurre SEMPRE la velocità durante l'immersione o estrazione del miscelatore dal materiale. Una volta che esso è immerso del tutto, aumentare nuovamente la velocità per accertarsi che il motore sia adeguatamente raffreddato.

Luce di lavoro LED

Quando l'interruttore è premuto, la luce di lavoro LED si accenderà.

RISOLUZIONE DI PROBLEMI

Protezione da sovraccarico: L'utensile si è spento da solo. L'utensile è eccessivamente surriscaldato! Consentire all'utensile di operare a vuoto fino al suo raffreddamento.

MANUTENZIONE

ATTENZIONE: Per ridurre il rischio di grave infortunio personale, spegnere e scollegare il pacco batteria prima di effettuare qualunque regolazione o per la rimozione / installazione di accessori e attacchi.

Pulire utensile e frusta immediatamente dopo l'uso.

Utilizzare un panno pulito e leggermente umido per pulire le parti in plastica dell'apparecchio. Non utilizzare solventi o simili prodotti che potrebbero danneggiare le parti in plastica dell'utensile.

Un numero eccessivo di scintille può indicare la presenza di detriti nel motore o spazzole di carbone usurate.

Se si ritiene plausibile tale evenienza, è necessario che un tecnico qualificato intervenga sul motore e sostituisca le spazzole.

TUTELA AMBIENTALE

Non smaltire mai gli elettrodomestici insieme ai rifiuti domestici.

In ottemperanza alla Direttiva Europea 2012/19/ EU relativa ai rifiuti di apparecchiature elettriche ed elettroniche e le sue applicazioni a livello nazionale, gli elettrodomestici esausti devono essere separati dagli altri rifiuti e smaltiti in maniera ecosostenibile, ad esempio conferendoli ad apposita discarica di riciclaggio.

Riciclaggio in alternativa alla richiesta di restituzione:

In alternativa alla restituzione al fabbricante, il proprietario dell'elettrodomestico deve accertarsi che esso venga adeguatamente smaltito nel caso desideri disfarsene. L'utensile dismesso può essere consegnato ad idoneo punto di raccolta che lo smaltirà in accordo alle regolamentazioni nazionali di riciclaggio e smaltimento rifiuti. Ciò non si applica a qualunque accessorio o ausilio privo di componenti elettriche fornito unitamente assieme all'utensile in dismissione.

Danno ambientale causato da errato smaltimento di batterie/batterie ricaricabili.

Le batterie/batterie ricaricabili non possono essere smaltite con i normali rifiuti domestici. Esse possono contenere metalli pesanti tossici e sono soggette alle regolamentazioni relative alla gestione dei rifiuti pericolosi. Si prega di smaltire le batterie in accordo ai pertinenti requisiti locali. Rimuovere la batteria dal prodotto prima del conferimento in discarica.



DICHIARAZIONE DI CONFORMITÀ CE



Il produttore del prodotto oggetto della presente dichiarazione:

UK: Evolution Power Tools, Venture One, Longacre Close, Holbrook Industrial Estate, Sheffield, S20 3FR.

FR: Evolution Power Tools SAS. 61 Avenue Lafontaine, 33560, Carbon-Blanc, Bordeaux, Francia.

Il produttore dichiara di seguito che l'utensile, come illustrato nella presente dichiarazione, soddisfa le disposizioni pertinenti della Direttiva Macchine e delle altre direttive idonee come di seguito descritto.

Il produttore dichiara inoltre che l'utensile, così come illustrato nella presente dichiarazione, laddove applicabile, soddisfa le disposizioni pertinenti della normativa relativa ai requisiti essenziali di sicurezza e tutela della salute (EHSRs).

Le direttive oggetto della presente dichiarazione sono quelle di seguito riportate:

2006/42/CE.	Direttiva Macchine.
2014/30/CE.	Direttiva Compatibilità Elettromagnetica.
2011/65/UE. e	La Direttiva sulla restrizione all'uso di sostanze
2015/863/UE.	pericolose nelle apparecchiature elettriche ed elettroniche (RoHS).
2012/19/UE.	La Direttiva sui Rifiuti da Apparecchiature Elettriche ed Elettroniche (RAEE).

Ed è in conformità con i requisiti applicabili dei seguenti documenti:

**EN 62841-1:2015 • EN 62841-2-10:2017 • EN 55014-1:2017+A11:2020 •
EN IEC 55014-1-2021 • EN IEC 55014-2-2021**

Dettagli prodotto

Descrizione:	R120MXR-Li MISCELATORE A FRUSTA CORDLESS
Codice prodotto:	087-0001
Marca:	EVOLUTION
Tensione:	18 c.c.

La documentazione tecnica a suffragio della compatibilità del prodotto con i requisiti della direttiva è stata redatta e messa a disposizione per la consultazione da parte delle autorità preposte pertinenti. Essa dimostra che le nostre schede tecniche contengono i documenti sopra elencati e che soddisfano i criteri corretti per il prodotto così come in precedenza illustrato.

Nome e indirizzo del titolare della documentazione tecnica.

Firmato:  Stampa: Barry Bloomer - CEO

Data: 22/03/2022

UK: Evolution Power Tools, Venture One, Longacre Close, Holbrook Industrial Estate, Sheffield, S20 3FR.

FR: Evolution Power Tools SAS. 61 Avenue Lafontaine, 33560, Carbon-Blanc, Bordeaux, Francia.

DICHIARAZIONE DI CONFORMITÀ CE



Il produttore del prodotto oggetto della presente dichiarazione:

UK: Evolution Power Tools, Venture One, Longacre Close, Holbrook Industrial Estate, Sheffield, S20 3FR.

FR: Evolution Power Tools SAS. 61 Avenue Lafontaine, 33560, Carbon-Blanc, Bordeaux, Francia.

Il produttore dichiara di seguito che l'utensile, come illustrato nella presente dichiarazione, soddisfa le disposizioni pertinenti della Direttiva Macchine e delle altre direttive idonee come di seguito descritto.

Il produttore dichiara inoltre che l'utensile, così come illustrato nella presente dichiarazione, laddove applicabile, soddisfa le disposizioni pertinenti della normativa relativa ai requisiti essenziali di sicurezza e tutela della salute (EHSRs).

Le direttive oggetto della presente dichiarazione sono quelle di seguito riportate:

Legislazione Regno Unito_Direttiva fornitura macchine (sicurezza) 2008;
Legislazione Regno Unito_Direttiva compatibilità elettromagnetica 2016;
Legislazione Regno Unito_Direttiva circa la restrizione all'uso di sostanze pericolose nelle apparecchiature elettriche ed elettroniche 2012
Legislazione Regno Unito_Direttiva sui rifiuti di apparecchiature elettriche ed elettroniche 2013

Ed è in conformità con i requisiti applicabili dei seguenti documenti:

BS EN 62841-1:2015 • BS EN 62841-2-10: 2017;
BS EN IEC 55014-1-2021 • BS EN IEC 55014-2-2021

Dettagli prodotto

Descrizione:	R120MXR-Li MISCELATORE A FRUSTA CORDLESS
Codice prodotto:	087-0001
Marca:	EVOLUTION
Tensione:	18 c.c.

La documentazione tecnica a suffragio della compatibilità del prodotto con i requisiti della direttiva è stata redatta e messa a disposizione per la consultazione da parte delle autorità preposte pertinenti. Essa dimostra che le nostre schede tecniche contengono i documenti sopra elencati e che soddisfano i criteri corretti per il prodotto così come in precedenza illustrato.

Nome e indirizzo del titolare della documentazione tecnica.

Firmato:  Stampa: Barry Bloomer - CEO

Data: 22/03/2022

UK: Evolution Power Tools, Venture One, Longacre Close, Holbrook Industrial Estate, Sheffield, S20 3FR.

FR: Evolution Power Tools SAS. 61 Avenue Lafontaine, 33560, Carbon-Blanc, Bordeaux, Francia.

Note



IT

WAŻNE

Należy uważnie i w całości zapoznać się z treścią niniejszej instrukcji obsługi oraz bezpieczeństwa.

Ze względów bezpieczeństwa w przypadku wątpliwości co do któregośkolwiek aspektu dotyczącego korzystania z tego sprzętu należy skontaktować się z odpowiednią infolinią obsługi technicznej, której numer podany jest na stronie internetowej firmy Evolution Power Tools. Nasza ogólnosiwiatowa organizacja oferuje dostęp do kilku infolinii. Pomocą techniczną służą również dystrybutorzy.

Strona internetowa:

www.evolutionpowertools.com

E-MAIL

UK: customer.services@evolutionpowertools.com

USA: evolutioninfo@evolutionpowertools.com

GWARANCJA

Gratulujemy zakupu narzędzia marki Evolution Power Tools. Produkt należy zarejestrować na stronie internetowej zgodnie z informacjami zawartymi w dołączonej do urządzenia ulotce. Umożliwi to zatwierdzenie okresu gwarancyjnego urządzenia za pośrednictwem strony internetowej Evolution poprzez podanie danych osobowych, co w razie potrzeby zapewni szybki dostęp do usług serwisowych.

Serdecznie dziękujemy za wybranie produktu marki Evolution Power Tools.

Firma Evolution Power Tools zastrzega sobie prawo do wprowadzania ulepszeń oraz zmian w konstrukcji produktu bez uprzedniego powiadomienia.

Proszę zapoznać się z ulotką rejestracyjną i/ lub opakowaniem w celu uzyskania informacji o zasadach i warunkach gwarancji.

SPECYFIKACJE URZĄDZENIA R120MXR-Li

SPECYFIKACJE URZĄDZENIA	UK/UE/AUS	USA
Kod produktu	087-0001, 087-0001-K, 087-0001A-K, 087-0001A, 087-0001B, 087-0001B-K, 087-0001C	087-0004, 087-0004A
Zasilanie	18 V (prąd stały)	20 V (prąd stały)
Prędkość bez obciążenia	0-650 min ⁻¹	0-650 obr./min
Masa bez mieszadła łopatkowego (bez akumulatora)	3,9 kg	8,6 funta
Masa z mieszadłem łopatkowym (bez akumulatora)	5,1 kg	11,2 funta
Maks. pojemność	40 l	
Wymiary mieszadła łopatkowego (w zestawie)	120 mm	4-11/16"
Mocowanie mieszadła łopatkowego	14 mm (żeńskie)	8/16"
Dostarczone mieszadło łopatkowe	120 mm (4-11/16") Helix – mieszadło uniwersalne	

DANE DOT. HAŁASU I WIBRACJI

Poziom mocy akustycznej (L_{wA})	18 V/20 V: L _{wA} : 90,5 dB(A), K _{wA} : 3 dB(A)
Poziom ciśnienia akustycznego (L_{pA})	18/20 V: L _{pA} : 79,5 dB(A), K _{pA} : 3 dB(A)
Wibracje (m/sek ²) Lewy uchwyt	18/20 V: a _h = 1,777 m/s ² Niepewność K = 1,5 m/s ²
Wibracje (m/sek ²) Prawy uchwyt	18/20 V: a _h = 1,655 m/s ² Niepewność K = 1,5 m/s ²

Uwaga: Pomiary wibracji zostały wykonane w warunkach standardowych zgodnych z normami:

EN 62841-1: 2015, EN 62841-2-10:2017

Podana wartość całkowita wibracji została zmierzona zgodnie ze standardowymi metodami testowymi i może posłużyć do porównywania różnych narzędzi.

Podana wartość całkowita wibracji może także posłużyć do wstępnej oceny poziomu ekspozycji.

WIBRACJE

OSTRZEŻENIE: Podczas użytkowania tego urządzenia operator może być narażony na wysoki poziom wibracji przenoszonych na dłoń i rękę. U operatora może dojść do „choroby wibracyjnej białych palców” (objaw Raynauda). Stan ten może zmniejszyć wrażliwość ręki na temperaturę, jak również powodować jej ogólne drętwienie. W przypadku długotrwałego lub regularnego korzystania z tego urządzenia należy dokładnie monitorować stan dłoni i palców. W przypadku wystąpienia jakichkolwiek objawów należy zasięgnąć porady lekarza.

- Pomiar i ocena narażenia człowieka na drgania przenoszone na dłoń w miejscu pracy są podane w normach: EN 62841-1 i EN 62841-2-10
- Na poziom wibracji podczas pracy wpłynąć może wiele czynników, np. stan i położenie powierzchni roboczej oraz typ i stan używanej maszyny. Należy ocenić te czynniki przed każdym użyciem i dostosować do nich odpowiednie metody pracy. Ograniczenie wpływu tych czynników może przyczynić się do zmniejszenia skutków wibracji:

Obsługa

- Maszynę należy obsługiwać, zachowując ostrożność i pozwalając urządzeniu wykonać zadanie.
- Należy unikać wywierania nadmiernego nacisku na jakiegokolwiek elementu układu sterowania urządzeniem.
- Należy zwrócić uwagę na własne bezpieczeństwo i zachowanie stabilnej pozycji, a także na położenie maszyny podczas użytkowania.

Powierzchnia robocza

- Należy zwrócić uwagę na materiał, z którego wykonana jest powierzchnia robocza: jego stan, gęstość, wytrzymałość, sztywność i położenie.

OSTRZEŻENIE: Emisja drgań podczas rzeczywistego użytkowania elektronarzędzia może różnić się od podanej wartości całkowitej w zależności od sposobu używania narzędzia. Potrzeba ustalenia środków bezpieczeństwa i ochrony operatora opiera się na ocenie narażenia w rzeczywistych warunkach użytkowania (z uwzględnieniem wszystkich etapów cyklu operacyjnego, takich jak czas, kiedy narzędzie jest wyłączone, pracuje na biegu jałowym, w dodatku do czasu aktywacji).

OZNACZENIA I SYMBOLE

OSTRZEŻENIE: Nie wolno korzystać z narzędzia, jeśli oznaczenia ostrzegawcze i/lub informacyjne są uszkodzone lub zostały usunięte. Należy skontaktować się z firmą Evolution Power Tools w celu uzyskania nowych etykiet.

Uwaga: Wszystkie lub niektóre z następujących symboli mogą znajdować się w instrukcji lub na produkcji.

Symbol	Opis
V	Volty
A	Ampery
Min ⁻¹ /obr/min	Prędkość
~	Prąd zmienny
n ₀	Prędkość bez obciążenia
	Należy założyć okulary ochronne
	Należy stosować środki ochrony słuchu
	Należy stosować ochronę przed pyłem
	Należy zapoznać się z instrukcją
	Podwójna izolacja
	Certyfikat CE
	Certyfikat UKCA
	Certyfikat TÜV SÜD
	Zużyty sprzęt elektryczny i elektroniczny
	Triman – zbieranie odpadów i recykling
	Ostrzeżenie
	Oznaczenie zgodności z przepisami dla sprzętów elektrycznych i elektronicznych (RCM). Standard w Australii i Nowej Zelandii
	Trzymać z dala od źródła ciepła i ognia – Nie wrzucać do ognia

	Trzymać z dala od wody – Nie zanurzać w cieczach
	Maksymalna temperatura
	Napięcie prądu stałego

PRZEWIDZIANE ZASTOSOWANIE ELEKTRONARZĘDZIA

OSTRZEŻENIE: Niniejszy produkt jest ręczną bezprzewodową mieszarką łopatkową, zaprojektowaną do eksploatacji z wykorzystaniem specjalnych mieszadeł firmy Evolution. Należy używać wyłącznie akcesoriów zaprojektowanych do stosowania z tym narzędziem lub akcesoriów zalecanych przez Evolution Power Tools Ltd.

Po założeniu odpowiednich mieszadeł łopatkowych urządzenie to można stosować do mieszanina:

Tynk | Farba | Zaprawa | Substancje klejące
Cement | Materiały budowlane na bazie proszku

ZABRONIONE ZASTOSOWANIE ELEKTRONARZĘDZIA

OSTRZEŻENIE: Niniejsze urządzenie jest ręczną bezprzewodową mieszarką łopatkową. Należy jej używać wyłącznie zgodnie z przeznaczeniem. Nie wolno wprowadzać w urządzenie żadnych modyfikacji ani stosować go do zasilania jakichkolwiek urządzeń lub akcesoriów innych niż określone w niniejszej instrukcji. Mieszarki nie wolno stosować w celu przygotowywania jakichkolwiek produktów spożywczych.

OSTRZEŻENIE: Urządzenie nie jest przeznaczone do użytkowania przez dzieci i osoby o ograniczonej sprawności fizycznej, sensorycznej lub umysłowej, lub nieposiadające odpowiedniego doświadczenia i wiedzy, chyba że będą one nadzorowane lub zostaną poinstruowane na temat bezpiecznego korzystania z urządzenia przez osobę odpowiedzialną za ich bezpieczeństwo i kompetentną w zakresie bezpiecznego korzystania z urządzenia. Dzieci wymagają stałego nadzoru, aby nie miały żadnego dostępu do sprzętu. Nie wolno pozwalać im na zabawę urządzeniem.

OGÓLNE INSTRUKCJE BEZPIECZEŃSTWA ELEKTRONARZĘDZIA

(2.1) OGÓLNE INSTRUKCJE BEZPIECZEŃSTWA
(Niniejsze ogólne instrukcje bezpiecznego używania elektronarzędzi są zgodne z normą EN 62841-1: 2015, UL Std. UL 62841-1 i CSA Std. C22.2 nr 62841-1).

OSTRZEŻENIE: Prosimy zapoznać się ze wszystkimi ostrzeżeniami dotyczącymi bezpieczeństwa, instrukcjami, ilustracjami i specyfikacjami dostarczonymi z elektronarzędziem. Nieprzestrzeganie ostrzeżeń i instrukcji może doprowadzić do porażenia prądem, pożaru i/lub poważnych obrażeń.

Należy zachować wszystkie ostrzeżenia i instrukcje na przyszłość.

Termin „elektronarzędzie” odnosi się do urządzenia zasilanego sieciowo (przewodowego) lub urządzenia zasilanego za pomocą akumulatora (beprzewodowego).

OSTRZEŻENIE: Należy zapoznać się z treścią wszelkich ostrzeżeń oraz instrukcji. Nieprzestrzeganie ostrzeżeń lub instrukcji może doprowadzić do porażenia prądem, pożaru lub poważnych obrażeń. Wszystkie ostrzeżenia i instrukcje należy zachować w celu wykorzystania w przyszłości. Termin „elektronarzędzie” odnosi się do urządzenia zasilanego sieciowo (przewodowego) lub urządzenia zasilanego za pomocą akumulatora (beprzewodowego).

1) Ogólne ostrzeżenia w zakresie bezpieczeństwa podczas korzystania z elektronarzędzi [Bezpieczeństwo miejsca pracy]

a) Należy zadbać o czystość i prawidłowe oświetlenie obszaru pracy. Nieporządek lub brak wystarczającego oświetlenia mogą spowodować wypadek.

b) Nie wolno używać elektronarzędzi w przestrzeniach zagrożonych wybuchem, np. w obecności łatwopalnych cieczy, gazów lub pyłów. Zasilanie wytwarzają iskry, które mogą spowodować zapłon pyłu lub oparów.

c) Nie wolno dopuszczać dzieci ani osób postronnych do obszaru pracy elektronarzędzia. Rozproszenie uwagi może spowodować utratę kontroli.

2) Ogólne ostrzeżenia w zakresie bezpieczeństwa korzystania z elektronarzędzi [Bezpieczeństwo elektryczne]

a) Wtyczka elektronarzędzia musi być dopasowana do gniazda zasilania. Nie wolno w żaden sposób modyfikować wtyczki. W przypadku elektronarzędzi z uziemieniem nie należy stosować przejściówek. Oryginalne wtyczki i zgodne gniazda zmniejszają ryzyko porażenia prądem.

b) Należy unikać dotykania uziemionych powierzchni, takich jak rury, grzejniki, piece i lodówki. Uziemienie ciała powoduje zwiększenie ryzyka porażenia prądem.

c) Nie należy wystawiać elektronarzędzi na działanie deszczu lub wilgoci. Przedostanie się wody do wnętrza urządzenia zwiększa ryzyko porażenia prądem.

d) Nie należy nadwyręzać przewodu. Nie wolno używać przewodu do przenoszenia, przeciągania lub odłączania elektronarzędzia. Przewód należy trzymać z dala od źródeł ciepła, oleju, ostrych krawędzi lub ruchomych części urządzenia. Uszkodzone lub poplątane przewody zwiększają ryzyko porażenia prądem.

e) W przypadku korzystania z urządzenia na wolnym powietrzu należy używać przedłużacza przystosowanego do użytku na zewnątrz. Korzystanie z przedłużacza przystosowanego do użytku na zewnątrz zmniejsza ryzyko porażenia prądem.

f) W przypadku konieczności korzystania z elektronarzędzia w wilgotnym miejscu należy używać gniazda zasilania wyposażonego w wyłącznik różnicowo-prądowy (RCD). Korzystanie z wyłącznika różnicowo-prądowego zmniejsza ryzyko porażenia prądem.

3) Ogólne ostrzeżenia w zakresie bezpieczeństwa korzystania z elektronarzędzi [Bezpieczeństwo osobiste].

a) Podczas korzystania z elektronarzędzia użytkownik powinien być czujny, uważny i zachowywać zdrowy rozsądek. Nie należy używać elektronarzędzi w stanie zmęczenia bądź pod wpływem narkotyków, alkoholu lub leków. Chwila nieuwagi podczas obsługi urządzenia może doprowadzić do poważnych obrażeń ciała.

b) Należy korzystać ze środków ochrony indywidualnej. Należy zawsze stosować środki ochrony oczu. Wyposażenie ochronne, takie jak maska przeciwpyłowa, antypoślizgowe obuwie robocze, kask ochronny lub nauszники ochronne używane w odpowiednich warunkach zmniejszają ryzyko odniesienia obrażeń.

c) Należy zapobiegać przypadkowemu włączeniu urządzenia. Przed podłączeniem do źródła zasilania i/lub akumulatora oraz przed podnoszeniem lub przenoszeniem narzędzia należy upewnić się, że przełącznik zasilania znajduje się w pozycji wyłącznej. Przenoszenie urządzenia z palcem umieszczonym na przełączniku zasilania lub podłączanie elektronarzędzi przy włączonym przełączniku zasilania stwarza ryzyko wypadku.

d) Przed włączeniem elektronarzędzia należy zdjąć z niego wszelkie narzędzia oraz klucze regulacyjne. Narzędzie lub klucz pozostawiony w obracającej się części elektronarzędzia może spowodować obrażenia ciała.

e) Nie należy się wychylać. Należy zawsze zachowywać odpowiednią pozycję i równowagę ciała. Umożliwia to lepszą kontrolę nad elektronarzędziem w nieoczekiwanych sytuacjach.

f) Należy nosić odpowiednią odzież. Do pracy z elektronarzędziem nie należy zakładać luźnej odzieży ani biżuterii. Włosy, odzież i rękawice należy trzymać z dala od ruchomych części urządzenia.

g) Jeśli do zestawu dołączone są urządzenia do podłączenia mechanizmów odsysania i zbierania

pyłu, należy się upewnić, że są one prawidłowo przyłączone i eksploatowane. Korzystanie z urządzenia odsysającego pył może zmniejszyć zagrożenie związane z obecnością kurzu.

h) Nie należy pozwolić, aby obeznanie związane z częstym korzystaniem z urządzenia doprowadziło do beztroski i ignorowania zasad bezpieczeństwa. Nieprzemysłane działanie może spowodować poważne obrażenia w ułamku sekundy.

4) Ogólne ostrzeżenia w zakresie bezpieczeństwa podczas korzystania z elektronarzędzi [Eksploatacja i pielęgnacja elektronarzędzi].

a) Nie przeciążać urządzenia. Należy używać narzędzi odpowiednich dla danego zastosowania. Prawidłowe narzędzie wykona zadanie lepiej i bezpieczniej w podanym zakresie sprawności.

b) Nie używać urządzenia, jeśli przełącznik nie spełnia funkcji włączania lub wyłączenia urządzenia. Urządzenia, których nie można kontrolować za pomocą przełącznika, są niebezpieczne i muszą zostać oddane do naprawy.

c) Przed dokonaniem regulacji, wymiany akcesoriów lub przechowywaniem elektronarzędzia należy odłączyć wtyczkę od źródła zasilania lub akumulator od urządzenia. Prewencyjne środki bezpieczeństwa zmniejszają ryzyko przypadkowego uruchomienia elektronarzędzia.

d) Nieużywane elektronarzędzia należy przechowywać w miejscu niedostępnym dla dzieci i nie należy dopuszczać do urządzeń osób niezaznajomionych z obsługą elektronarzędzi lub treścią instrukcji obsługi. W rękach niedoświadczonych użytkowników elektronarzędzia stanowią zagrożenie.

e) Należy przeprowadzać konserwację elektronarzędzi. Należy sprawdzać urządzenie pod kątem nieprawidłowego ustawienia lub zablokowania elementów ruchomych, pęknięć elementów ruchomych lub innych usterek, które mogą wpłynąć na prawidłowe funkcjonowanie urządzenia. W przypadku usterek urządzenie musi zostać naprawione przed ponownym użyciem. Niewłaściwa konserwacja elektronarzędzi jest przyczyną wielu wypadków.

f) Należy utrzymywać narzędzia tnące w czystości i pamiętać o ich ostrzeniu.

Zadbane narzędzia tnące z ostrymi krawędziami rzadziej się zacinają i łatwiej nimi sterować.

g) Elektronarzędzi, akcesoriów, kołcówek itp. należy używać zgodnie z niniejszymi instrukcjami, mając na uwadze warunki pracy i wykonywane zadania. Używanie narzędzi do wykonywania prac niezgodnych z ich przeznaczeniem może prowadzić do niebezpiecznych sytuacji.

h) Uchwyty i powierzchnie chwytne muszą być suche, czyste i niezanieczyszczone olejem ani smarem. Śliskie uchwyty i powierzchnie uniemożliwiają bezpieczną obsługę i kontrolę

urządzenia w nieprzewidzianych sytuacjach.

5) Użytkowanie i pielęgnacja narzędzi akumulatorowych

a) Należy ładować akumulator wyłącznie za pomocą ładowarki określonej przez producenta. Ładowarka, która jest odpowiednia dla jednego typu akumulatora, może stwarzać ryzyko pożaru, gdy jest używana z innym akumulatorem.

b) Należy używać elektronarzędzi tylko ze specjalnie do tego przeznaczonymi akumulatorami. Użycie jakiegokolwiek innego akumulatora może stwarzać ryzyko obrażeń i pożaru.

c) Gdy akumulator nie jest używany, należy trzymać go z dala od innych metalowych przedmiotów, takich jak spinacze do papieru, monety, klucze, gwoździe, śruby lub inne małe metalowe przedmioty, które mogą doprowadzić do zwarcia biegunów akumulatora. Zwarcie biegunów akumulatora może spowodować poparzenia lub pożar.

d) W nieodpowiednich warunkach z akumulatora może wyciekać płyn, z którym należy unikać kontaktu. W razie przypadkowego kontaktu splukać wodą.

W przypadku dostania się płynu do oczu należy także zasięgnąć porady lekarskiej. Płyn wyciekający z akumulatora może powodować podrażnienia lub oparzenia.

e) Nie używać akumulatora ani narzędzia, które jest uszkodzone lub zmodyfikowane. Uszkodzone lub zmodyfikowane akumulatory mogą działać w sposób nieprzewidywalny i doprowadzić do pożaru, eksplozji lub obrażeń.

f) Nie narażać akumulatora ani narzędzia na działanie ognia ani wysokiej temperatury.

Narażenie na działanie ognia lub temperatury powyżej 130°C może spowodować wybuch.
Uwaga: Temperatura 130°C równa się temperaturze 265°F.

g) Należy przestrzegać wszystkich instrukcji ładowania i nie ładować akumulatora ani narzędzia poza zakresem temperatur podanym w instrukcji.

Nieprawidłowe ładowanie lub ładowanie poza dopuszczalnym zakresem temperatur może zniszczyć akumulator i zwiększyć ryzyko pożaru.

6) Serwisowanie

a) Urządzenie powinno być serwisowane przez wykwalifikowaną osobę i wyłącznie przy użyciu identycznych części zamiennych. Zapewni to utrzymanie bezpieczeństwa elektronarzędzia.

b) Nigdy nie naprawiać uszkodzonych akumulatorów. Naprawy akumulatorów powinny dokonywać wyłącznie producent lub autoryzowany serwis.

Instrukcje bezpieczeństwa dotyczące użytkowania mieszarki:

a) Narzędzie należy trzymać obiema rękami za przeznaczone do tego uchwyty. Utrata kontroli może spowodować obrażenia ciała.

b) Podczas mieszania materiałów łatwopalnych

należy zapewnić wystarczającą wentylację, aby uniknąć stworzenia niebezpiecznej atmosfery. Powstające opary mogą być wdychane lub ulec zapłonowi przez iskry wytwarzane przez elektronarzędzie.

c) Urządzenia nie należy stosować do mieszania produktów spożywczych. Elektronarzędzia oraz ich akcesoria nie są przeznaczone do obróbki żywności.

e) Należy się upewnić, że zbiornik do mieszania jest umieszczony w stabilnej i bezpiecznej pozycji, aby uniknąć jego obrócenia się. Zbiornik, który nie jest odpowiednio zabezpieczony, może niespodziewanie się poruszyć.

e) Upewnić się, że żadna ciecz nie rozpryskuje się na obudowę elektronarzędzia. Ciecz, która przedostała się do wnętrza elektronarzędzia może doprowadzić do zniszczenia urządzenia, a także stwarza niebezpieczeństwo porażenia prądem elektrycznym.

f) Należy przestrzegać instrukcji oraz ostrzeżeń dotyczących mieszanego materiału. Mieszany materiał może być szkodliwy.

g) Jeśli elektronarzędzie wpadnie do mieszanego materiału, należy wyjąć akumulator z urządzenia. Kontrolę narzędzia powinien przeprowadzić wykwalifikowany personel naprawczy.

h) Podczas mieszania do zbiornika z mieszaną nie należy wkładać rąk ani żadnych innych przedmiotów. Kontakt z koszyczkiem mieszarki stwarza ryzyko poważnych obrażeń ciała.

i) Uruchomić narzędzie i umieścić je wyłącznie w pojemniku do mieszania. Koszyczek mieszarki może wygiąć się lub wirować w niekontrolowany sposób.

ZALECENIA ZDROWOTNE

OSTRZEŻENIE: Podczas korzystania z urządzenia mogą wytworzyć się cząsteczki pyłu. W niektórych przypadkach, w zależności od wykorzystywanych materiałów, pył może być szczególnie szkodliwy. W przypadku podejrzenia, że farba pokrywająca powierzchnię ciętego materiału zawiera ołów, należy zasięgnąć porady specjalisty. Farby na bazie ołowiu mogą zostać usunięte tylko przez profesjonalistę i nie należy podejmować samodzielnych prób ich usuwania. Po osadzeniu się pyłu na powierzchniach przeniesienie go dłońmi do jamy ustnej może doprowadzić do spożycia ołowiu. Nawet niewielka ilość ołowiu może spowodować nieodwracalne uszkodzenie mózgu i układu nerwowego. Szczególnie narażone są małe i nienarodzone dzieci. Zaleca się ocenę ryzyka związanego z obróbką danego materiału i ograniczenie narażenia na szkodliwe czynniki. Niektóre materiały mogą produkować pyły szkodliwe dla zdrowia. Zalecamy stosowanie zatwierdzonych masek przeciwpyłowych z wymiennymi filtrami podczas korzystania z urządzenia.

Należy zawsze:

- Pracować w dobrze wentylowanym miejscu.
- Korzystać z zatwierdzonych środków bezpieczeństwa, takich jak maski przeciwpyłowe, zaprojektowane specjalnie, po to aby filtrować mikroskopijne cząsteczki.

OSTRZEŻENIE: Podczas korzystania z dowolnego elektronarzędzia ciała obce mogą zostać wyrzucone w kierunku oczu operatora, co może skutkować poważnym urazem narządu wzroku. Przed przystąpieniem do pracy z elektronarzędziem należy założyć okulary lub gogle ochronne z osłoną boczną. W miarę potrzeby należy zastosować całkowitą osłonę twarzy.

DODATKOWE INSTRUKCJE BEZPIECZEŃSTWA

- Należy zlokalizować odpowiedni zbiornik przemysłowy (najlepiej z tworzywa sztucznego) i ustawić go na bezpiecznej i stabilnej powierzchni poziomej.
- Operator powinien przyjąć bezpieczną postawę z obiema stopami mocno osadzonymi i lekko rozstawionymi. To urządzenie również wymaga użycia obu rąk operatora. Tego urządzenia nie należy obsługiwać jedynie jedną ręką.
- Korzystając z tego urządzenia operator powinien nosić ściśle przylegającą odzież roboczą lub dopasowany kombinizon . Luźne ubrania stwarzają zagrożenie, ponieważ mogą zaplątać się w obracające części urządzenia.
- Przed uruchomieniem urządzenia należy zdjąć luźną biżuterię (łańcuszki itp.) i odłożyć w bezpieczne miejsce. Luźna biżuteria może stanowić zagrożenie, ponieważ może się zaplątać w obracające części urządzenia.
- Operator powinien mocno trzymać urządzenie za izolowane uchwyty, które mają ergonomiczną powierzchnię chwytną.
- Podczas użytkowania narzędzia należy zawsze nosić okulary ochronne lub maskę zakrywającą całą twarz, aby zapewnić ochronę przed materiałem, który mógłby zostać przypadkowo wyrzucony ze zbiornika.
- Należy nosić maskę przeciwpyłową, aby zapewnić ochronę przed jakimkolwiek materiałem, który może zostać wyrzucony ze zbiornika, zwłaszcza podczas początkowego procesu mieszania.
- Urządzenie należy uruchamiać jedynie wtedy, gdy mieszadło topatkowe znajduje się w zbiorniku do mieszania. Urządzenie należy uruchomić z prędkością ustawioną na najniższe obroty i stopniowo ją zwiększać do momentu uzyskania optymalnej wydajności mieszania.
- Podczas mieszania operator nigdy nie powinien sięgać do zbiornika z mieszaną ani nie wkładać do niego żadnych innych przedmiotów ani narzędzi.
- Urządzenia nie należy stosować w środowisku o potencjalnie wybuchowej atmosferze. Są to miejsca takie jak fabryki, warsztaty i inne zamknięte przestrzenie (piekarnie, silosy

zbożowe itp.), które mogą zawierać znaczne ilości unoszącego się w powietrzu pyłu lub innych cząstek.

- Z tego urządzenia nie należy korzystać do mieszania żadnych łatwopalnych rozpuszczalników ani substancji zawierających rozpuszczalniki o temperaturze zapłonu poniżej 21°C.
- Podczas mieszania, jeśli urządzenie wymaga tymczasowego przechowania (poprzez umieszczenie na poziomej powierzchni roboczej), operator musi upewnić się, że mieszarka spoczywa na uchwytach, a mieszadło łopatkowe zapewni trzeci punkt oparcia.

PRZYGOTOWANIE DO PRACY – ROZPAKOWYWANIE

Uwaga: Opakowanie zawiera ostre przedmioty. Należy zachować ostrożność podczas rozpakowywania. Urządzenie wraz z załączonymi akcesoriami należy wyjąć z opakowania. Należy dokładnie sprawdzić, czy urządzenie jest w dobrym stanie i potwierdzić obecność wszystkich akcesoriów wymienionych w instrukcji obsługi. Należy również upewnić się, czy w żadnym z akcesoriów nie brakuje komponentów. W przypadku braku jakiegokolwiek komponentu należy zwrócić urządzenie do dystrybutora w oryginalnym opakowaniu wraz ze wszystkimi akcesoriami. Nie wyrzucać opakowania. Opakowanie należy zachować na czas trwania okresu gwarancyjnego. Opakowanie należy zutylizować w sposób przyjazny dla środowiska. Jeśli to możliwe, należy poddać je recyklingowi. Nie należy pozwalać dzieciom na zabawę torebkami foliowymi ze względu na ryzyko uduszenia.

ELEMENTY WYPOSAŻENIA

Opis	087-0001, 087-0001-K, 087-0004,	087-0001A, 087-0001-AK, 087-0001B, 087-0001BK, 087-0001C, 087-0004A
Instrukcja obsługi	✓	✓
Jednostka napędowa mieszarki bezprzewodowej	✓	✓
Mieszadło Helicon 120 mm (mieszanie w górę)	✓	✓
Klucz mieszadła	✓	✓
Akumulator 2 Ah		
Akumulator 4 Ah		
Akumulator 5 Ah		✓
Akumulator 8 Ah		
Ładowarka z jedną stacją dokującą		✓
Ładowarka z dwiema stacjami dokującymi		

DODATKOWE AKCESORIA

Poza podstawowymi elementami dołączonymi do niniejszego urządzenia, następujące akcesoria są również dostępne na:

www.evolutionpowertools.com

i u lokalnego dystrybutora.

Opis	Nr części
Mieszadło równoległe 120 mm	123-0001
Mieszadło spiralne 120 mm	123-0002
Mieszadło Helicon 120 mm (mieszanie w górę)	123-0003
Mieszadło Helicon 120 mm (mieszanie w górę)	123-0004
Mieszadło Helicon 140 mm (mieszanie w górę)	123-0005

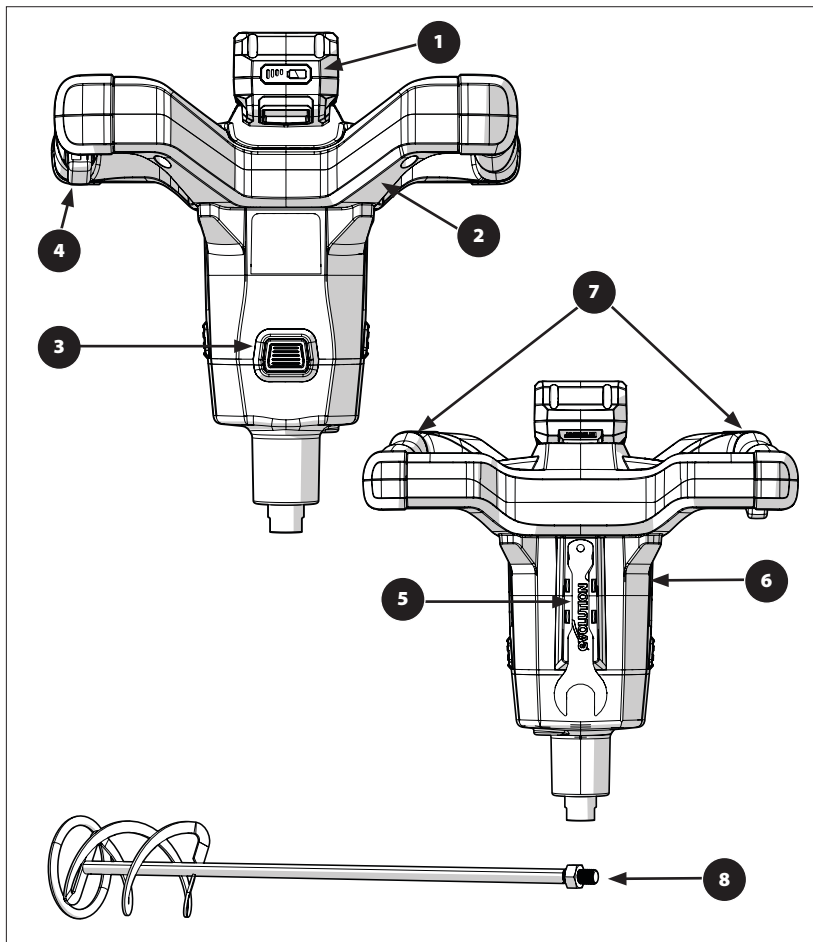
OSTRZEŻENIE: Akcesoria inne niż proponowane przez Evolution Power Tools Ltd nie zostały przetestowane z tym produktem, dlatego korzystanie z takich akcesoriów z tym narzędziem może być niebezpieczne. Aby ograniczyć ryzyko doznania obrażeń, do obsługi tego narzędzia należy stosować wyłącznie akcesoria zalecane przez Evolution.

ZALECANE AKUMULATORY/ŁADOWARKI

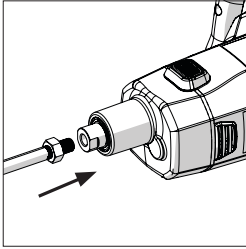
Opis	Nr części	
Akumulator 2 Ah	R18BAT-Li2, R20BAT-Li2	EBAT18-Li-2
Akumulator 4 Ah	R18BAT-Li4, R20BAT-Li4	EBAT18-Li-4, EHPB18-Li-4
Akumulator 5 Ah	R18BAT-Li5, R20BAT-Li5	EBAT18-Li-5
Akumulator 8 Ah	R18BAT-Li8, R20BAT-Li8	EHPB18-Li-8
R18RCH-Li1- Ładowarka z jedną stacją dokującą	R18RCH-Li1, R20RCH-Li1	EFC18-Li
R18RCH-Li2 – Ładowarka z dwiema stacjami dokującymi	R18RCH-Li2, R20RCH-Li2	EMC18-Li

Jeśli akumulator ma być nieużywany przez dłuższy czas, należy go przechowywać w temperaturze pokojowej (od 0°C do 20°C). W przypadku przechowywania przez bardzo długi czas, akumulator należy doładowywać raz na rok, aby uniknąć jego nadmiernego rozładowania. Zakres temperatury otoczenia podczas pracy narzędzia i akumulatora: od 0°C do 40°C. Temperatura ładowania: od 5°C do 40°C.

OPIS URZĄDZENIA R120MXR-Li



1. AKUMULATOR
2. LAMPKA ROBOCZA LED
3. PRZYCIISK BŁOKADY TRZIPIENIA
4. PRZYCIISK URUCHAMIAJĄCY Z REGULACJĄ PRĘDKOŚCI OBROTOWEJ
5. MIEJSCE NA NARZĘDZIA
6. JEDNOSTKA NAPĘDOWA
7. UCHWYTY
8. MIESZADŁO ŁOPATKOWE



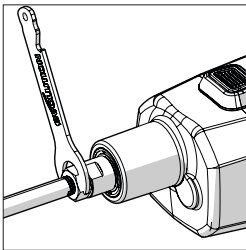
Rys. 1

MONTAŻ**Mieszadło łopatkowe**

Uwaga: Mieszarka Evolution jest dostarczany z uniwersalnym mieszadłem łopatkowym.

Wkładanie i wyjmowanie mieszadła łopatkowe (Rys. 1)

- 1) Wsunąć gwint mieszadła łopatkowego do trzpienia i przekręcić zgodnie z ruchem wskazówek zegara.
- 2) Dokręcić mieszadło łopatkowe przez naciśnięcie i przytrzymanie przycisku blokady trzpienia. Dokręcić mieszadło zgodnie z ruchem wskazówek zegara za pomocą dostarczonego klucza.
- 3) W celu wyjęcia mieszadła łopatkowego należy nacisnąć i przytrzymać przycisk blokady trzpienia oraz wykonać czynności w odwrotnej kolejności, za pomocą dostarczonego klucza.



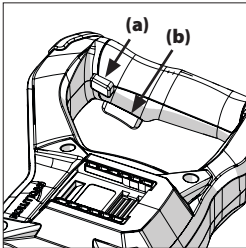
Rys. 2

Uwaga: Trzpień urządzenia (Rys. 2) wystaje z jednostki napędowej i jest wyposażony w dwie płaskie powierzchnie pasujące do dostarczonego klucza.

Wewnętrzny otwór w trzpieniu jest wyposażony w gwint o średnicy 14 mm. Ten wewnętrzny gwint pasuje do zewnętrznego gwintu o średnicy 14 mm znajdującego się na trzonie mieszadła. Mieszadło łopatkowe należy wkręcić w trzpień i mocno dokręcić.

Ułożenie dłoni

OSTRZEŻENIE: aby ograniczyć ryzyko poważnego obrażenia, należy ZAWSZE trzymać urządzenie obiema rękami umieszczonymi na uchwytach, przyjąć stabilną pozycję ciała i skupić się na pracy. Wsteczny moment obrotowy na uchwytach może spowodować utratę kontroli i doprowadzić do powstania obrażeń.



Rys. 3

INSTRUKCJE OBSŁUGI**Wkładanie/wyjmowanie akumulatora**

Aby włożyć akumulator, należy wcisnąć go do narzędzia tak, aby usłyszeć kliknięcie, co będzie znaczyło, że jest prawidłowo osadzony i zatrzasnął się we właściwym położeniu. Aby wyjąć akumulator, należy nacisnąć przycisk zwalnający i wyciągnąć akumulator z narzędzia.

Eksploatacja mieszarki i regulacja prędkości roboczej

- Nie stosować tego narzędzia do mieszania lub pompowania łatwopalnych lub wybuchowych płynów (benzyny, alkoholu itp.)
- Nie mieszać płynów oznaczonych jako łatwopalne.
- Przed rozpoczęciem czynności mieszania należy zawsze sprawdzać ostrzeżenia o łatwopalności umieszczone na produkcie.
- Zabezpieczyć pojemnik do mieszania przed obróceniem się.
- Podczas obsługi urządzenia należy zawsze stosować okulary ochronne, rękawice i maskę na drogi oddechowe.
- Podczas długotrwałej pracy należy także stosować środki ochrony słuchu. Wysokie natężenie hałasu przez dłuższy czas może spowodować uszkodzenie słuchu.

Uwaga: Przełącznik jest ergonomicznie umieszczony na spodzie prawego uchwytu.

- 1) Nacisnąć przycisk blokady bezpieczeństwa (Rys. 3a) i przytrzymać, następnie nacisnąć przełącznik (Rys. 3b)
- 2) Nacisnąć przełącznik, aby zwiększyć prędkość obrotów.
- 3) Zwolnić przełącznik, aby wyłączyć urządzenie.

Podczas mieszania należy prowadzić mieszadło wokół pojemnika, aby uzyskać bardziej równomierną konsystencję. Kontynuować aż do całkowitego zmieszania całego materiału.

Uwaga: Jeśli podczas eksploatacji mieszadło zetknie się z powierzchnią pojemnika, może nastąpić odbicie.

Uwaga: Należy ZAWSZE zmniejszyć prędkość podczas zanurzania mieszadła w materiale lub wyjmowania go. Po całkowitym zanurzeniu mieszadła należy ponownie zwiększyć prędkość, aby zapewnić należyte schłodzenie silnika.

LAMPKA ROBOCZA LED

Po naciśnięciu przycisku zapali się lampka LED.

ROZWIĄZYWANIE PROBLEMÓW

Ochrona przeciążeniowa: Urządzenie samoczynnie się wyłączyło. Urządzenie uległo przegrzaniu! Należy pozwolić, by maszyna działała na biegu jałowym aż do schłodzenia.

KONSERWACJA

OSTRZEŻENIE: Aby ograniczyć ryzyko poważnych obrażeń, należy wyłączyć urządzenie i odłączyć akumulator przed podjęciem jakichkolwiek regulacji lub wyjęciem / montażem przystawek lub akcesoriów.

Bezpośrednio po użyciu należy wyczyścić urządzenie i mieszadło.

Plastikowe części urządzenia należy czyścić czystą, lekko zwilżoną szmatką. Nie używać rozpuszczalników ani podobnych produktów, które mogłyby uszkodzić plastikowe części.

Nadmierne powstawanie iskier może wskazywać na obecność brudu w silniku lub na zużyte szczotki węglowe.

Jeśli pojawi się takie podejrzenie, należy oddać urządzenie do serwisu w celu wymiany szczotek przez wykwalifikowanego technika specjalistę.

OCHRONA ŚRODOWISKA

Nie wolno wyrzucać elektronarzędzi razem z odpadami domowymi. Zgodnie z Dyrektywą Parlamentu Europejskiego 2012/19/UE w sprawie zużytego sprzętu elektrycznego i elektronicznego oraz jej wdrożeniem do prawa krajowego zużyte elektronarzędzia należy oddzielić od innych odpadów i zutylizować w sposób przyjazny dla środowiska np. poprzez oddanie do punktu zbiórki surowców wtórnych.

Recykling jako alternatywa do zwrotu: Alternatywa dla zwrotu sprzętu do producenta jest poddanie sprzętu elektrycznego odpowiedniej utylizacji, jeśli sprzęt nie jest już potrzebny. Zużyty sprzęt można oddać do odpowiedniego punktu zbiórki, który zajmie się utylizacją zgodnie z krajowymi przepisami dotyczącymi recyklingu i utylizacji odpadów. Nie dotyczy to akcesoriów ani dodatkowych elementów bez komponentów elektrycznych dostarczanych ze starym sprzętem.

Szkody dla środowiska spowodowane nieprawidłową utylizacją baterii/akumulatorów. Baterie/akumulatory nie mogą być wyrzucane razem ze zwykłymi odpadami domowymi. Mogą one zawierać toksyczne metale ciężkie, więc podlegają zasadom i przepisom dotyczącym utylizacji odpadów niebezpiecznych. Baterie/akumulatory należy utylizować zgodnie z lokalnymi przepisami. Należy wyjąć akumulator z narzędzia przed utylizacją.



DEKLARACJA ZGODNOŚCI WE



Producent artykułu objętego niniejszą deklaracją:

UK: Evolution Power Tools, Venture One, Longacre Close, Holbrook Industrial Estate, Sheffield, S20 3FR.

FR: Evolution Power Tools SAS. 61 Avenue Lafontaine, 33560, Carbon-Blanc, Bordeaux, Francja.

Producent deklaruje niniejszym, że urządzenie, jak opisano w niniejszej deklaracji, spełnia wszystkie odpowiednie przepisy dyrektywy maszynowej i innych odpowiednich dyrektyw wymienionych poniżej.

Producent oświadcza, że urządzenie, jak opisano w niniejszym oświadczeniu, w stosownych przypadkach spełnia odpowiednie przepisy w zakresie ochrony zdrowia i bezpieczeństwa.

Dyrektywy objęte niniejszą deklaracją zostały wyszczególnione poniżej:

2006/42/WE.	Dyrektywa maszynowa.
2014/30/WE.	Dyrektywa w sprawie kompatybilności elektromagnetycznej.
2011/65/UE. i 2015/863/UE.	Dyrektywa w sprawie ograniczenia stosowania niektórych niebezpiecznych substancji w sprzęcie elektrycznym i elektronicznym (dyrektywa RoHS).
2012/19/UE.	Dyrektywa w sprawie zużytego sprzętu elektrycznego i elektronicznego (WEEE).

Urządzenie jest zgodne z obowiązującymi wymaganiami określonymi w następujących dokumentach:


**EN 62841-1:2015 • EN 62841-2-10:2017 • EN 55014-1:2017+A11:2020 •
EN IEC 55014-1-2021 • EN IEC 55014-2-2021**

Dane produktu

Opis:	BEZPRZEWODOWA MIESZARKA ŁOPATKOWA R120MXR-LI
Kod produktu:	087-0001
Nazwa marki:	EVOLUTION
Napięcie:	18 DC

Dokumenty techniczne wykazujące, że produkt spełnia wymagania dyrektywy, zostały opracowane i są dostępne do wglądu dla właściwych organów egzekwowania prawa. Stanowią one potwierdzenie, że dokumentacja techniczna zawiera dokumenty wymienione powyżej i że urządzenie jest zgodne z właściwymi dla swojego typu normami, jak opisano powyżej.

Imię, nazwisko i adres posiadacza dokumentów technicznych.

Podpisano:  Pismo drukowane: Barry Bloomer – dyrektor generalny

Data: 22 marca 2022 r.

UK: Evolution Power Tools, Venture One, Longacre Close, Holbrook Industrial Estate, Sheffield, S20 3FR.

FR: Evolution Power Tools SAS. 61 Avenue Lafontaine, 33560, Carbon-Blanc, Bordeaux, Francja.

DEKLARACJA ZGODNOŚCI WE



Producent artykułu objętego niniejszą deklaracją:

UK: Evolution Power Tools, Venture One, Longacre Close, Holbrook Industrial Estate, Sheffield, S20 3FR.

FR: Evolution Power Tools SAS. 61 Avenue Lafontaine, 33560, Carbon-Blanc, Bordeaux, Francja.

Producent deklaruje niniejszym, że urządzenie, jak opisano w niniejszej deklaracji, spełnia wszystkie odpowiednie przepisy dyrektywy maszynowej i innych odpowiednich dyrektyw wymienionych poniżej.

Producent oświadcza, że urządzenie, jak opisano w niniejszym oświadczeniu, w stosownych przypadkach spełnia odpowiednie przepisy w zakresie ochrony zdrowia i bezpieczeństwa.

Dyrektywy objęte niniejszą deklaracją zostały wyszczególnione poniżej:

Ustawodawstwo Zjednoczonego Królestwa_Dyrektywa dotycząca dostaw maszyn (bezpieczeństwo) z roku 2008;
 Ustawodawstwo Zjednoczonego Królestwa_Dyrektywa dotycząca kompatybilności elektromagnetycznej z roku 2016;
 Ustawodawstwo Zjednoczonego Królestwa_Dyrektywa w sprawie ograniczenia stosowania niektórych niebezpiecznych substancji w sprzęcie elektrycznym i elektronicznym z roku 2012
 Ustawodawstwo Zjednoczonego Królestwa_Przepisy dotyczące zużytego sprzętu elektrycznego i elektronicznego z 2013 r.

Urządzenie jest zgodne z obowiązującymi wymaganiami określonymi w następujących dokumentach:


BS EN 62841-1:2015 • BS EN 62841-2-10: 2017;
BS EN IEC 55014-1-2021 • BS EN IEC 55014-2-2021

Dane produktu

Opis: BEZPRZEWODOWA MIESZARKA ŁOPATKOWA R120MXR-Li
 Kod produktu: 087-0001
 Nazwa marki: EVOLUTION
 Napięcie: 18 DC

Dokumenty techniczne wykazujące, że produkt spełnia wymagania dyrektywy, zostały opracowane i są dostępne do wglądu dla właściwych organów egzekwowania prawa. Stanowią one potwierdzenie, że dokumentacja techniczna zawiera dokumenty wymienione powyżej i że urządzenie jest zgodne z właściwymi dla swojego typu normami, jak opisano powyżej.

Imię, nazwisko i adres posiadacza dokumentów technicznych.

Podpisano:  Pismo drukowane: Barry Bloomer – dyrektor generalny

Data: 22 marca 2022 r.

UK: Evolution Power Tools, Venture One, Longacre Close, Holbrook Industrial Estate, Sheffield, S20 3FR.

FR: Evolution Power Tools SAS. 61 Avenue Lafontaine, 33560, Carbon-Blanc, Bordeaux, Francja.

BELANGRIJK

Lees deze gebruiksaanwijzing en veiligheidsvoorschriften zorgvuldig en in zijn geheel door.

Bent u onzeker over hoe u bepaalde functies van dit gereedschap moet gebruiken, dan is het voor uw eigen veiligheid aanbevolen de relevante technische hulplijn te raadplegen. U vindt het nummer hiervan op de website van Evolution Power Tools.

We bedienen meerdere hulplijnen binnen onze wereldwijde organisatie. U kunt voor technische hulp echter ook uw leverancier raadplegen.

WEB

www.evolutionpowertools.com

E-MAIL:

VK: customer.services@evolutionpowertools.com

VS: evolutioninfo@evolutionpowertools.com

GARANTIE

Gefeliciteerd met de aankoop van een Evolution Power Tool apparaat. Registreer uw product 'online' zoals uitgelegd in de folder die bij de machine is gevoegd. Dit stelt u in staat om de garantieperiode van uw machine te valideren op de Evolution website door uw gegevens in te voeren en zo een snelle service te garanderen als u deze ooit nodig hebt.

Wij danken u hartelijk dat u voor een product van Evolution Power Tools hebt gekozen.

Evolution Power Tools behoudt zich het recht voor om verbeteringen en aanpassingen aan het product door te voeren zonder voorafgaande kennisgeving.

De details van de algemene voorwaarden van de garantie kunt u raadplegen in de folder voor registratie voor de garantie en/of op de verpakking.

R120MXR-Li SPECIFICATIES

MACHINESPECIFICATIES	VK / EU / AUS	VS
Productcode	087-0001, 087-0001-K, 087-0001A-K, 087-0001A, 087-0001B, 087-0001B-K, 087-0001C	087-0004, 087-0004A
Stroom	18 V DC.	20 V DC.
Onbelast toerental	0-650 min ⁻¹	0-650 tpm
Gewicht zonder staaf (geen batterij)	3,9 kg	8,6 lbs
Gewicht met staaf (geen batterij)	5,1 kg	11,2 lbs
Max. capaciteit	40 l	
Afmetingen staaf (meegeleverd)	120 mm	4-11/16"
Staafmontage	14 mm (vrouwelijk)	8/16"
Meegeleverde staaf	120 mm (4-11/16") Helix - multifunctionele staaf	

GELUID- EN TRILLINGSDATA	
Geluidsvermogensniveau (L _{WA})	18 V/20 V: L _{WA} : 90,5 dB(A), K _{WA} : 3 dB (A)
Geluidsdrumniveau (L _{WA})	18/20 V:L _{pA} : 79,5 dB(A), K _{pA} : 3 dB (A)
Trilling (m/sec ²) Linker handgreep	18/20 V: a _h = 1,777 m/s ² Onzekerheid K=1,5 m/s ²
Trilling (m/sec ²) Rechter handgreep	18/20 V: a _h = 1,655 m/s ² Onzekerheid K=1,5 m/s ²

Opmerking: de trillingsmeting is gedaan in standaard omstandigheden in overeenstemming met:
EN 62841-1: 2015, EN 62841-2-10:2017

De opgegeven totale trillingswaarde is gemeten volgens een standaard testmethode en kan worden gebruikt voor het vergelijken van het ene apparaat met het andere.

De opgegeven totale trillingswaarde kan ook gebruikt worden voor een voorlopige beoordeling van blootstelling.

TRILLING

WAARSCHUWING: bij het gebruik van deze machine kan de operator worden blootgesteld aan intense trillingen, doorgegeven aan de hand en arm. Het is mogelijk dat de gebruik "trillende witte vinger-ziekte" (Raynaud-syndroom) kan ontwikkelen. Deze aandoening kan de temperatuurgevoeligheid van de hand verminderen en gevoelloosheid veroorzaken. Langdurige of regelmatige gebruikers van deze machine moeten de toestand van hun handen en vingers goed in de gaten houden. Indien een van deze symptomen optreedt, moet u onmiddellijk een dokter raadplegen.

- De meting en beoordeling van de blootstelling van de mens aan trillingen in de werkplaats die aan de hand wordt doorgegeven wordt gegeven in: EN 62841-1 en EN 62841-2-10
- Vele factoren kunnen het niveau van de trillingen tijdens de werking beïnvloeden; bv. de toestand en opstelling van het werkoppervlak en het type en de toestand van de gebruikte machine. Deze factoren moeten voor elk gebruik geëvalueerd worden, en waar mogelijk moet een aangepaste werkwijze worden toegepast. Het beheer van deze factoren zal de effecten van trillingen verminderen:

Hantering

- Behandel met zorg en laat de machine het werk doen.
- Vermijd het uitoefenen van overdadige fysieke kracht op de besturingselementen.
- Let op uw veiligheid en stabiliteit, en de plaatsing van de machine tijdens het gebruik.

Werkoppervlak

- Let op het materiaal van het werkoppervlak; de toestand, dichtheid, rigiditeit en plaatsing.

WAARSCHUWING: De trillingsemisatie tijdens het daadwerkelijk gebruik van de power tool kan verschillen van de aangegeven totale waarde afhankelijk van de manieren waarop de tool gebruikt kan worden. De noodzaak om veiligheidsmaatregelen te treffen en de gebruiker te beschermen zijn gebaseerd op een schatting van de blootstelling in de werkelijke gebruiksomstandigheden (rekening houdend met alle fases van de gebruikscyclus, zoals de keren dat het apparaat is uitgeschakeld, wanneer het apparaat inactief is tijdens het werk, in aanvulling op de schakeltijd).

LABELS EN SYMBOLEN

WAARSCHUWING: dit apparaat niet gebruiken als er enig waarschuwings- en/of instructielabel ontbreekt of beschadigd is. Neem contact op met Evolution Power Tools voor vervangende labels.

Opmerking: alle of sommige van de volgende symbolen kunnen in de handleiding of op het product getoond worden.

Symbol	Omschrijving
V	Volt
A	Ampère
Min ⁻¹ /rpm	Snelheid
~	Wisselstroom
n ₀	Onbelast toerental
	Draag een veiligheidsbril
	Draag gehoorbescherming
	Draag stofbescherming
	Lees de instructies
	Dubbel geïsoleerd
	CE-certificatie
	UKCA-certificatie
	TUV SUD-certificering
	Afval van elektrische & elektronische uitrusting
	Triman - afvalophaling en recycling
	Waarschuwing
	(RCM) Regulatory Compliance Markering voor elektrische en elektronische apparatuur. Australische/ Nieuw-Zeeland norm 5490
	Buiten bereik van hitte en open vuur houden - niet in het vuur gooien

	Buiten bereik van water houden - niet onderdompelen in vloeistof
	Max. temperatuur
	DC-voltage

BEOGD GEBRUIK VAN DEZE POWER TOOL

WAARSCHUWING: dit product is een handbediende draadloze staafmixer en is ontworpen om gebruikt te worden met mengstaven van Evolution. Gebruik alleen accessoires ontworpen voor deze machine en/of specifiek aanbevolen door Evolution Power Tools Ltd.

Wanneer deze machine met de juiste staaf is voorzien, kan deze gebruikt worden voor het mixen van:

Gips | Verf | Mortel | Lijm
Cement | Poedergebaseerde bouwproducten

VERBODEN GEBRUIK VAN DIT ELEKTRISCHE GEREEDSCHAP

WAARSCHUWING: dit product is een handbediende draadloze staafmixer en mag alleen als zodanig gebruikt worden. Het mag op geen enkele manier worden aangepast of worden gebruikt voor het aandrijven van andere apparatuur of andere accessoires die niet worden genoemd in deze gebruiksaanwijzing. Deze mixer mag niet worden gebruikt bij de bereiding van voedsel.

WAARSCHUWING: deze machine is niet bedoeld om gebruikt te worden door personen (inclusief kinderen) met verminderde lichamelijke, zintuiglijke of mentale vaardigheden, of met een gebrek aan kennis en ervaring, tenzij ze onder toezicht staan of instructies hebben ontvangen over het veilige gebruik van de machine door een persoon verantwoordelijk voor hun veiligheid, die bevoegd is om het toestel veilig te gebruiken. Kinderen moeten onder toezicht staan zodat ze geen toegang hebben tot deze machine en mogen er niet mee spelen.

ALGEMENE VEILIGHEIDSINSTRUCTIES VOOR ELEKTRISCH GEREEDSCHAP

(2.1) ALGEMENE VEILIGHEIDSINSTRUCTIES
(Deze algemene veiligheidsinstructies zijn zoals gespecificeerd in EN 62841-1: 2015, UL Std. UL 62841-1 en CSA Std. C22.2 No. 62841-1).

WAARSCHUWING: lees alle veiligheidswaarschuwingen, instructies, illustraties en specificaties meegeleverd met deze tool. Het niet opvolgen van waarschuwingen en instructies kan leiden tot een elektrische schok, vuur en/of persoonlijk letsel.

Bewaar alle waarschuwingen en instructies voor toekomstig gebruik.

De term "elektrisch gereedschap" in de waarschuwingen verwijst naar uw door stroom (met netsnoer) of door batterijen gevoede (snoerloos), elektrische gereedschap.

WAARSCHUWING: lees alle veiligheidswaarschuwingen en -instructies. Het niet opvolgen van waarschuwingen en instructies kan leiden tot een elektrische schok, vuur en/of persoonlijk letsel.

Bewaar alle waarschuwingen en instructies voor toekomstig gebruik. De term "elektrisch gereedschap" in de waarschuwingen verwijst naar uw door stroom (met netsnoer) of door batterijen gevoede (snoerloos), elektrische gereedschap.

1) Algemene elektrische gereedschappen Veiligheidswaarschuwingen [Veiligheid werkplek]

a) Houd uw werkplek schoon en goed verlicht. Rommelige of donkere ruimten vragen om ongelukken.

b) Gebruik elektrisch gereedschap niet in een explosieve omgeving, zoals in de buurt van ontvlambare vloeistoffen, gassen of stof. Elektrische gereedschappen maken vonken en kunnen het stof of de dampen doen ontvlammen.

c) Houd kinderen en omstanders op een veilige afstand tijdens het bedienen van elektrisch gereedschap. Afleidingen kunnen tot controleverlies leiden.

2) Algemene veiligheidswaarschuwingen voor elektrisch gereedschap [Elektrische veiligheid]

a) Stekkers van elektrisch gereedschap moeten op het stopcontact passen. Pas de stekker nooit aan. Gebruik geen adapters bij geaarde elektrische gereedschappen. Ongewijzigde stekkers en passende stopcontacten verminderen het risico op elektrische schokken.

b) Vermijd lichamelijk contact met geaarde oppervlakken zoals pijpen, radiatoren, fornuizen en koelkasten. Er bestaat een verhoogd risico op elektrische schokken als uw lichaam geaard is.

c) Stel uw elektrische gereedschap niet bloot aan regen of een natte omgeving. Water in een elektrisch gereedschap verhoogt het risico op elektrische schokken.

d) Misbruik het snoer niet. Gebruik het snoer nooit om een elektrisch gereedschap te dragen,

trekken of om de stekker uit het stopcontact te halen. Houd het snoer uit de buurt van hitte, olie, scherpe randen of bewegende delen. /

Beschadigde of in de war geraakte snoeren vergroten het risico op elektrische schokken.

e) Bij gebruik buitenshuis van een elektrisch gereedschap dient u een snoer te gebruiken dat hiervoor geschikt is. Een snoer dat geschikt is voor gebruik buitenshuis vermindert het risico op elektrische schokken.

f) Als het gebruik van een elektrisch gereedschap in een vochtige omgeving onvermijdelijk is, gebruik dan een door een aardlekschakelaar beveiligde voeding. Het gebruik van een aardlekschakelaar vermindert het risico op elektrische schokken.

3) Algemene veiligheidswaarschuwingen voor elektrisch gereedschap [Persoonlijke veiligheid].

a) Blijf alert, let op wat u doet en gebruik uw gezonde verstand bij het bedienen van een elektrisch gereedschap. Gebruik geen elektrisch gereedschap als u moe bent of onder invloed van drugs, alcohol of medicijnen. Een moment van onoplettendheid tijdens het werken met elektrische gereedschappen kan resulteren in ernstig lichamelijk letsel.

b) Gebruik persoonlijke beschermingsmiddelen. Draag altijd oogbescherming. Veiligheidsuitrusting zoals stofmasker, slippvrije veiligheidsschoenen, helm of gehoorbescherming zullen persoonlijk letsel verminderen, indien deze worden gebruikt onder de juiste omstandigheden.

c) Voorkom onbedoeld starten. Zorg ervoor dat de schakelaar in de uit-positie staat voordat u de stroombron en/of accu aansluit, het gereedschap oppakt of draagt. Het dragen van elektrisch gereedschap met uw vinger op de schakelaar of het in het stopcontact steken van de stekker met de schakelaar aan, is een uitnodiging voor ongelukken.

d) Verwijder eventuele afstelbare sleutels of moersleutels van de bladbout voordat u het elektrische gereedschap inschakelt. Een moersleutel verbonden met een bewegend onderdeel van een elektronisch gereedschap kan tot lichamelijk letsel leiden.

e) Reik niet te ver. Zorg dat u te allen tijde in evenwicht blijft. Dat zorgt voor een betere controle over het elektrische gereedschap in onverwachte situaties.

f) Draag gepaste kleding. Draag geen loszittende kleding of sieraden. Houd uw haar, kleding en handschoenen uit de buurt van bewegende delen. Loszittende kleding, sieraden of lang haar kunnen in de bewegende delen terecht komen.

g) Als er voorzieningen zijn voor het aansluiten van stofafzuiging en opvangvoorzieningen, zorg er dan voor dat deze zijn aangesloten en correct worden gebruikt. Het gebruik van

stofverzameling kan gevaren gerelateerd aan stof verminderen.

h) Word niet zelfgenoegzaam door de ervaring die u hebt opgedaan door het frequent gebruiken van gereedschappen zodat u de veiligheidsvoorschriften gaat negeren. Een nachtzame actie kan in een fractie van een seconde ernstig letsel veroorzaken.

4) Algemene veiligheidswaarschuwingen voor elektrisch gereedschap [gebruik en onderhoud van elektrisch gereedschap].

a) Forceer het elektrisch gereedschap niet.

Gebruik het juiste elektrische gereedschap voor uw toepassing. Het juiste elektrische gereedschap zal de taak beter en veiliger uitvoeren, wanneer het op de snelheid wordt gebruikt waarvoor het is ontworpen.

b) Gebruik het elektrisch gereedschap niet als de schakelaar niet in- of uitschakelt. Ieder elektrische gereedschap dat niet bediend kan worden met de schakelaar is gevaarlijk en moet worden gerepareerd.

c) Koppel het elektrische gereedschap los van de stroombron van het elektrische gereedschap voordat u aanpassingen aanbrengt, accessoires verwisselt of elektrisch gereedschap opbergt. Dergelijke veiligheidsmaatregelen verminderen de kans dat het elektrische gereedschap onbedoeld opstart.

d) Bewaar niet-gebruikt elektrisch gereedschap buiten het bereik en sta niet toe dat personen die niet bekend zijn met het elektrisch gereedschap of deze instructies het elektrische gereedschap bedienen. Elektrische gereedschappen zijn gevaarlijk in handen van onervaren gebruikers.

e) Onderhoud uw elektrische gereedschappen. Controleer op foutieve uitlijning of het vastlopen van bewegende onderdelen, defect van bewegende onderdelen of andere omstandigheden die de werking van de elektrische gereedschappen kan beïnvloeden. Bij schade moet het elektrische gereedschap vóór gebruik gerepareerd worden. Veel ongelukken worden veroorzaakt door slecht onderhouden elektrische gereedschappen.

f) Houd snijgereedschappen scherp en schoon. Juist onderhouden snijgereedschappen met scherpe zaagtanden zijn minder geneigd te verwonden en zijn eenvoudiger te bedienen.

g) Gebruik het elektrische gereedschap, de accessoires en inzetgereedschappen etc., in overeenstemming met deze instructies, rekening houdend met de werkomstandigheden en het werk dat moet worden uitgevoerd. Het elektrische gereedschap gebruiken voor handelingen anders dan bedoeld kan leiden tot gevaarlijke situaties.

h) Houd de handgrepen en grijppoppervlakken droog, schoon en vrij van olie en vet.

Gereedschap met gladde handgrepen en grijppoppervlakken zorgen voor onveilig gebruik en gebrek aan controle in onverwachte situaties.

5). Gebruik en onderhoud van de batterij

a) Alleen opladen met de door de fabrikant gespecificeerde oplader.

Een oplader die geschikt is voor een type batterij kan een risico op brand met zich mee brengen wanneer gebruikt met een andere batterij.

b) Gebruik elektrisch gereedschap alleen met de specifiek aangegeven batterijen. Het gebruik van een andere batterij kan risico op brand of letsel met zich mee brengen.

c) Als de batterij niet gebruikt wordt, houdt deze dan uit de buurt van andere metalen objecten, zoals paperclips, munten, sleutels, spijkers, schroeven of andere kleine metalen objecten die een connectie van een pool met de andere kunnen maken. Het kortsluiten van de polen kan brandwonden of brand veroorzaken.

d) Bij verkeerd gebruik kan vloeistof uit de batterij spuiten; vermijd contact. Als er per ongeluk contact is, spoelen met water. Als de vloeistof in contact komt met de ogen, zoek dan ook medische hulp. Vloeistof die uit de batterij spuit, kan irritatie of brandwonden veroorzaken.

e) Gebruik geen batterij of gereedschap die beschadigd of gemodificeerd zijn. Beschadigde of gemodificeerde batterijen kunnen onverwacht gedrag vertonen, wat kan resulteren in brand, explosie of risico op letsel.

f) Stel een batterij of gereedschap nooit bloot aan vuur of hoge temperaturen. Blootstelling aan vuur of temperaturen boven de 130 °C kan explosie veroorzaken.

Opmerking: de temperatuur '130 °C' kan worden vervangen door de temperatuur '265 °F'.

g) Volg alle oplaad instructies en laad de batterij of het gereedschap niet op buiten het temperatuurbereik gespecificeerd in de instructies. Incorrect opladen of bij temperaturen buiten het gespecificeerde bereik kan de batterij beschadigen en het risico op brand vergroten.

6) Service

a) Geef het elektrische gereedschap in onderhoud bij een gekwalificeerd reparateur die alleen originele onderdelen gebruikt. Dit verzekert dat de veiligheid van het elektrische gereedschap goed wordt onderhouden.

b) Beschadigde batterijen nooit onderhouden. Het onderhoud van batterijen moet alleen worden uitgevoerd door de fabrikant of geautoriseerde onderhoudsproviders.

Veiligheidsinstructies mixer

a) Houd het gereedschap met beide handen vast aan de daarvoor bedoelde handgrepen. Verlies van controle kan leiden tot persoonlijk letsel.

b) Zorg voor voldoende ventilatie bij het mixen van brandbare materialen om een gevaarlijke atmosfeer te voorkomen.

Vrijkomende damp kan geïn haleerd worden of kan ontvlammen door de vonken die het elektrisch gereedschap produceert.

c) Mix geen voedsel. Elektrische gereedschappen en accessoires zijn niet ontworpen voor het verwerken van eten.

d) Zorg dat de mixcontainer geplaatst wordt in een stevige en veilige positie om te voorkomen dat de container omkiept. Een container die niet correct beveiligd is, kan onverwacht verschuiven.

e) Zorg dat er geen vloeistofspetters op de behuizing van het elektrisch gereedschap komt. Vocht dat het elektrisch gereedschap binnendringt kan schade en mogelijk elektrische schokken veroorzaken.

f) Volg de instructies en waarschuwingen voor het materiaal dat gemixt gaat worden. Het te mixen materiaal kan schadelijk zijn.

g) Als het elektrisch gereedschap in het te mixen materiaal valt, verwijder dan de batterij uit de machine en laat het elektrisch gereedschap controleren door een daartoe gekwalificeerd persoon.

h) Reik niet met uw handen in de mixcontainer en steek er geen andere objecten in tijdens het mixen. Contact met de mixmand kan leiden tot ernstig persoonlijk letsel.

i) Zet het gereedschap alleen aan in de mixcontainer. De mixmand kan buigen of draaien op een ongecontroleerde manier.

GEZONDHEIDSADVIES

WAARSCHUWING: bij het gebruik van deze machine kunnen stofdeeltjes vrijkomen. Afhankelijk van de materialen waarmee u werkt, kan dit stof zeer schadelijk zijn. Vraag professioneel advies indien u denkt dat de verf waarmee het oppervlak van het te zagen materiaal bedekt is, lood bevat. Verf gebaseerd op lood mag alleen verwijderd worden door een deskundige. Wij raden u aan om niet zelf te proberen deze te verwijderen. Wanneer het stof op oppervlakken neervalt, kan contact van uw hand met uw mond leiden tot de inname van lood. Blootstelling aan zelfs lage niveaus van lood kan leiden tot onomkeerbaar hersenletsel en beschadiging van het zenuwstelsel. Vooral jonge en ongeboren kinderen zijn kwetsbaar.

We raden u aan de risico's verbonden aan de materialen waarmee u werkt goed in te schatten en het risico op blootstelling te beperken. Sommige materialen kunnen stof produceren dat gevaarlijk kan zijn voor uw gezondheid. We raden u daarom aan bij het gebruik van deze machine een goedgekeurd gezichtsmasker met verwisselbare filter te dragen.

Werk steeds:

- In een goed-geventileerde ruimte.
- Met goedgekeurde veiligheidsuitrustingen, zoals stofmaskers die speciaal ontworpen zijn om microscopische deeltjes te filteren.

WAARSCHUWING: de werking van een verstekzaag kan ertoe leiden dat er voorwerpen richting uw ogen worden geprojecteerd, wat kan leiden tot ernstige oogschade. Voordat u het elektrische gereedschap gebruikt, draag altijd een veiligheidsbril, een veiligheidsbril met zijbescherming of een volledig gelaatsscherm indien nodig.

EXTRA VEILIGHEIDSINSTRUCTIES

- Een geschikte industriële mixkuip, bij voorkeur van plastic, moet op een veilig en stabiel horizontaal oppervlak worden geplaatst.
- De operator moet een veilige positie innemen met beide voeten stevig op de grond, iets uit elkaar. Deze machine vereist het gebruik van beide handen. Deze machine kan niet met 'één hand' gebruikt worden.
- De operator moet nauwsluitende werkkleding dragen of een goed passende overall tijdens het gebruik van deze apparatuur. Loszittende kleding vormt een gevaar omdat deze verstrikt kunnen raken in de roterende delen van de machine.
- Losse sieraden en kettingen moeten verwijderd worden en veilig worden opgeborgen voor gebruik van deze machine. Loszittende sieraden vormen een gevaar omdat deze verstrikt kunnen raken in de roterende delen van de machine.
- De operator moet de machine stevig bij de geïsoleerde handgrepen, die een ergonomische grip hebben, vast.
- Er moet altijd een veiligheidsbril of volgelaatmasker gedragen worden om bescherming te bieden tegen materiaal dat onbedoeld uit de mixkuip geslingerd wordt tijdens het mixen.
- Een stofmasker moet gedragen worden om bescherming te bieden tegen materiaal dat uit de mixkuip geslingerd wordt, vooral tijdens het initiële mixproces.
- De machine moet alleen gestart worden met de mixstaaf in de mixkuip. Start de machine met de snelheid ingesteld op het laagste niveau en verhoog dan de snelheid geleidelijk totdat de optimale mixprestaties bereikt worden.
- De operator mag nooit in de mixkuip reiken of andere materialen of gereedschappen in de mixkuip steken tijdens het mixen.
- Deze machine mag niet gebruikt worden in gebieden met een potentieel explosieve atmosfeer. Dit omvat fabrieken, garages en andere afgesloten ruimtes (bakkerijen,

graansilo's, etc.) die significante hoeveelheden stof of andere deeltjes in de lucht kunnen hebben.

- Deze machine mag niet worden gebruikt om snel ontvlambare oplosmiddelen of oplosmiddelen met substanties met een ontbrandingspunt van lager dan 21 °C.
- Als tijdens het gebruik de machine tijdelijk moet worden opgeborgen (door op een horizontaal werkoppervlak geplaatst te worden), moet de operator ervoor zorgen dat de machine op de handgrepen wordt geplaatst waarbij de staaf een derde contactpunt vormt.

AAN DE SLAG - UITPAKKEN

Let op: deze verpakking bevat scherpe voorwerpen. Wees voorzichtig bij het uitpakken. Verwijder de machine, samen met de meegeleverde accessoires, uit de verpakking. Controleer zorgvuldig of de machine zich in goede conditie bevindt en controleer of alle accessoires die in deze handleiding worden genoemd aanwezig zijn. Zorg er ook voor dat alle accessoires compleet zijn. Indien er onderdelen ontbreken, moet de machine en zijn accessoires samen in hun originele verpakking teruggebracht worden naar de leverancier. Gooi de verpakking niet weg. Bewaar deze zorgvuldig tijdens de garantieperiode. Gooi de verpakking op een milieuverantwoorde manier weg. Recycle indien mogelijk. Laat kinderen niet met de lege plastic zakjes spelen, in verband met verstikkingsgevaar.

GELEVERDE ITEMS

Omschrijving	087-0001, 087-0001-K, 087-0004,	087-0001A, 087-0001-AK, 087-0001B, 087-0001BK, 087-0001C, 087-0004A
Gebruiksaanwijzing	✓	✓
Draadloze motoreenheid staafmixer	✓	✓
Helicon 120 mm mixstaaf (UP-mixen)	✓	✓
Staafspanner	✓	✓
2 Ah batterij		
4 Ah batterij		
5 Ah batterij		✓
8 Ah batterij		
Lader met enkel dock		✓
Lader met dubbel dock		

EXTRA ACCESSOIRES

Naast de standaardonderdelen die bij deze machine worden geleverd, zijn de volgende accessoires ook verkrijgbaar via de webshop van Evolution op www.evolutionpowertools.com of bij uw plaatselijke verkoper.

Omschrijving	Onderdeelnr.
Parallel 120 mm staaf	123-0001
Spiraal 120 mm staaf	123-0002
Helicon 120 mm staaf (UP-mixen)	123-0003
Helicon 120 mm staaf (DOWN-mixen)	123-0004
Helicon 140 mm staaf (UP-mixen)	123-0005

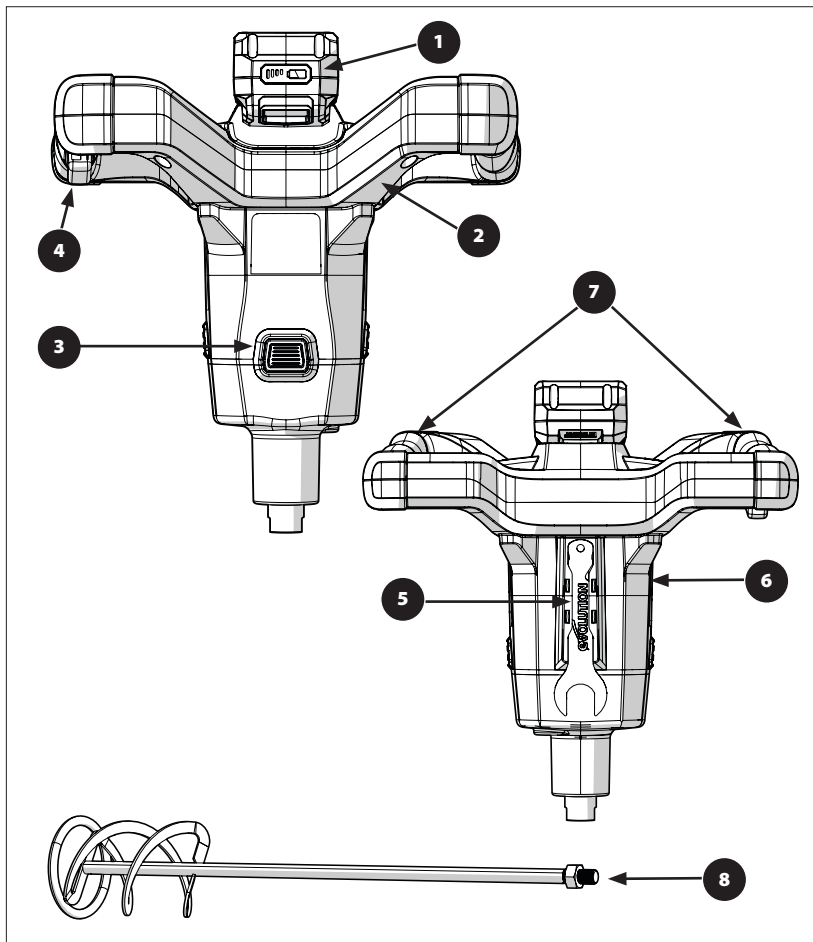
WAARSCHUWING: omdat accessoires, anders dan die aangeboden door Evolution Power Tools Ltd, z niet getest zijn met dit product, kan het gebruik van dergelijke accessoires met dit gereedschap gevaarlijk zijn. Om het risico op letsel te beperken, mogen alleen door Evolution aanbevolen accessoires met dit product gebruikt worden.

AANBEVOLEN BATTERIJEN/OPLADERS

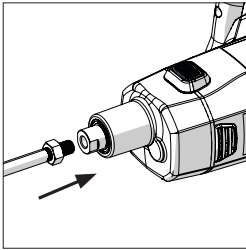
Omschrijving	Onderdeelnr.	
2 Ah batterij	R18BAT-Li2, R20BAT-Li2	EBAT18-Li-2
4 Ah batterij	R18BAT-Li4, R20BAT-Li4	EBAT18-Li-4, EHPB18-Li-4
5 Ah batterij	R18BAT-Li5, R20BAT-Li5	EBAT18-Li-5
8 Ah batterij	R18BAT-Li8, R20BAT-Li8	EHPB18-Li-8
R18RCH-Li1- Lader met enkel dock	R18RCH-Li1, R20RCH-Li1	EFC18-Li
R18RCH-Li2 - Lader met dubbel dock	R18RCH-Li2, R20RCH-Li2	EMC18-Li

Als u voornemens bent een batterij voor een periode zonder gebruik op te bergen, doe dit dan bij kamertemperatuur (0 °C tot 20 °C) Bij het opbergen voor zeer lange periodes, laadt u de batterij een keer per jaar op om diepontlading te voorkomen; de omgevingstemperatuur voor gebruik van gereedschap en batterij ligt tussen: 0 °C tot 40 °C; De oplaadtemperatuur: 5 °C tot 40 °C

R120MXR-Li MACHINE-OVERZICHT



1. BATTERIJ
2. LED WERKLAMP
3. VERGREDELKNOP AS
4. VARIABLE SNELHEIDSTREKKER
5. OPSLAG GEREEDSCHAP IN BEHUIZING
6. MOTOREENHEID
7. HANDGREPEN
8. STAAF



Afb. 1

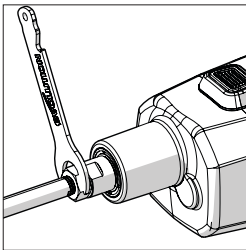
INSTALLATIE

De mixstaaf

Opmerking: de Evolution staafmixer wordt geleverd met een multifunctionele mixstaaf.

Het insteken en verwijderen van de mixstaaf (Afb. 1)

- 1) Steek de staafdraad in de as door deze met de klok mee te draaien.
- 2) Zet de staaf vast door de vergrendelknop van de as in te drukken en te houden, en gebruik de meegeleverde sleutel om de staaf met de klok mee vast te draaien.
- 3) Verwijder de staaf door de vergrendelknop van de as in te drukken en te houden, en gebruik de meegeleverde sleutel en ga in omgekeerde volgorde te werk



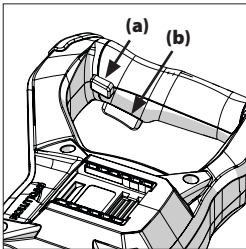
Afb. 2

Opmerking: de as van de machine (Afb. 2) steekt uit de motoreenheid en heeft twee plaatjes erop voor de meegeleverde spanner.

Het interne gat in de as heeft een $\varnothing 14$ mm draad. Deze interne draad komt overeen met de externe $\varnothing 14$ mm draad van de mixstaafschacht. De mixstaaf moet in de as van de machine worden geschroefd en stevig worden aangedraaid.

Handpositie

WAARSCHUWING: om het risico op ernstig letsel te beperken, houdt u de machine ALTIJD met beide handen vast aan de daartoe bedoelde handgrepen. Zorg voor een veilige houding en concentreer op het werk. Omgekeerde koppeling bij de handgrepen kan resulteren in verlies van controle en persoonlijk letsel veroorzaken.



Afb. 3

GEBRUIKSINSTRUCTIES

De batterij installeren/verwijderen

Om de batterij te installeren moet deze stevig in het gereedschap worden geplaatst totdat u een hoorbare klik hoort, en zorg ervoor dat de batterij goed op zijn plaats zit. Om de batterij te verwijderen, druk de ontgrendelingsknop van de batterij in en trek deze uit het gereedschap.

De mixer gebruiken en variabele snelheidscontrole

- Gebruik dit gereedschap om makkelijk ontvlambare of explosieve vloeistoffen te mixen of te pompen (benzine, alcohol, etc.).
- Mix of roer geen vloeistoffen gelabeld als brandbaar
- Controleer altijd de ontvlambaarheidswaarschuwingen van ieder product dat u wilt mixen.
- Beveilig de mixcontainer tegen kantelen.
- Draag altijd een veiligheidsbril, handschoenen en een ademmasker tijdens het werken met de machine.
- Draag oorbescherming bij langdurig werken. Hoge geluidsniveaus voor een langere tijd kan uw gehoor beschadigen.

Opmerking: de trekkerschakelaar is ergonomisch geplaatst op de onderkant van de rechtse handgreep.

- 1) Druk op de veiligheidsvergrendelingsknop (Afb. 3a) en houd deze ingedrukt, druk dan de trekker in (Afb. 3b)
- 2) Druk op de trekker om de draaisnelheid te vergroten.
- 3) Laat de trekker los om uit te schakelen.

Tijdens het mixproces moet u de mixer in de container rond bewegen voor een meer consistente mix. Ga door tot alle materialen helemaal gemixt zijn.

Let op: als de mixer in contact komt met het oppervlak van de container tijdens gebruik, kan er een terugslag zijn.

Let op: verminder **ALTJD** de snelheid bij het onderdempelen van de mixer in het materiaal of bij het eruit halen. Zodra de mixer helemaal is ondergedompeld, kan de snelheid weer worden verhoogd om te zorgen dat de motor voldoende gekoeld wordt.

LED-werklamp

Zodra de trekkerschakelaar is ingedrukt, gaat de LED-werklamp aan.

PROBLEEMOPLOSSING

Overbelastingsbescherming: de machine heeft zichzelf uitgeschakeld. De machine is te heet! Laat de machine stationair draaien totdat deze afgekoeld is.

ONDERHOUD

WAARSCHUWING: om het risico op ernstig persoonlijk letsel te voorkomen, schakelt u de machine uit en koppelt u de batterij los voor het aanbrengen van wijzigingen of het verwijderen / installeren van accessoires of hulpstukken.

Maak de machine en de staaf direct na gebruik schoon.

Gebruik een schone, licht vochtige doek voor het schoonmaken van de plastic onderdelen van het toestel. Gebruik geen oplosmiddelen of dergelijke producten die de kunststof onderdelen kunnen beschadigen.

Overmatig vonken kan erop duiden dat er vuil in de motor aanwezig is of dat de koolborstels versleten zijn. Indien dit wordt vermoed, moet u de machine laten onderhouden en de borstels laten vervangen door een gekwalificeerde technicus.

BESCHERMING VAN HET MILIEU

Gooi elektrische apparaten nooit weg met het huishoudelijk afval. Om te voldoen aan de Europese richtlijn 2012/19/ EU betreffende oude elektrische en elektronische apparatuur en de implementatie ervan in de nationale wetgevingen, moeten oude elektrische gereedschappen gescheiden van ander afval worden afgevoerd op een milieuvriendelijke manier, bijv. door het naar een recyclingdepot te brengen.

Recyclingalternatief voor retourneren: als alternatief voor het retourneren van de apparatuur naar de fabrikant, kan de eigenaar van de elektrische apparatuur ervoor zorgen dat de apparatuur op de juiste wijze wordt afgevoerd als hij het apparaat niet langer wenst te behouden. De oude apparatuur kan naar een geschikt inzamelpunt gebracht worden dat de apparatuur zal afvoeren in overeenstemming met de nationale regelgeving op het gebied van recycling en afvalverwerking. Dit is niet van toepassing op enige accessoires of hulpmiddelen zonder elektrische componenten die met de oude apparatuur zijn meegeleverd.

Milieuschade door incorrecte afvoer van de batterijen / oplaadbare batterijen. Batterijen / oplaadbare batterijen mogen niet worden afgevoerd met het normale huishoudelijke afval. Ze kunnen giftige zware metalen bevatten die onderhevig zijn aan regels en regelgeving voor gevaarlijke materialen. Voer batterijen af in overeenstemming met de lokale voorschriften. Verwijder de batterij uit het product voor afvoer.



EC-VERKLARING VAN OVEREENSTEMMING



De fabrikant van het product waarop deze verklaring betrekking heeft, is:

VK: Evolution Power Tools, Venture One, Longacre Close, Holbrook Industrial Estate, Sheffield, S20 3FR.

FR: Evolution Power Tools SAS. 61 Avenue Lafontaine, 33560, Carbon-Blanc, Bordeaux, France.

De fabrikant verklaart hierbij dat de machine zoals beschreven in deze verklaring voldoet aan alle relevante bepalingen van de machinerichtlijn en andere toepasselijke richtlijnen, zoals hieronder beschreven.

De fabrikant verklaart verder ook dat de machine, zoals beschreven in deze verklaring, indien van toepassing, aan de relevante bepalingen over de essentiële vereisten voor gezondheid en veiligheid voldoet.

De richtlijnen waarop deze verklaring betrekking heeft, worden hieronder nader beschreven:

2006/42/EG.	Machinerichtlijn.
2014/30/EC.	Richtlijn voor elektromagnetische compatibiliteit.
2011/65/EU. & 2015/863/EU.	De richtlijn Restrictie van het gebruik van bepaalde gevaarlijke stoffen in elektrische apparatuur (RoHS).
2012/19/EU.	De richtlijn Afdankte elektrische en elektronische apparatuur (AEEA).

En is conform de van toepassing zijnde vereisten van de volgende documenten:

EN 62841-1:2015 • EN 62841-2-10:2017 • EN 55014-1:2017+A11:2020 • EN IEC 55014-1-2021 • EN IEC 55014-2-2021

Productgegevens

Omschrijving:	R120MXR-Li DRAADLOZE STAAFMIXER
Productcode:	087-0001
Merksnaam:	EVOLUTION
Spanning:	18 V DC

De technische documentatie die vereist is om aan te tonen dat het product aan de vereisten van de richtlijnen voldoet is verzameld en beschikbaar voor onderzoek door relevante handhavingsinstanties, en verifieert dat ons technische dossier de documenten hierboven bevat en dat ze de correcte standaarden zijn voor het hierboven beschreven product.

Naam en adres van de houder van de technische documentatie.

Handtekening:  Afdruk: Barry Bloomer - CEO

Datum: 22/03/22

VK: Evolution Power Tools, Venture One, Longacre Close, Holbrook Industrial Estate, Sheffield, S20 3FR.

FR: Evolution Power Tools SAS. 61 Avenue Lafontaine, 33560, Carbon-Blanc, Bordeaux, France.

EC-VERKLARING VAN OVEREENSTEMMING



De fabrikant van het product waarop deze verklaring betrekking heeft, is:

VK: Evolution Power Tools, Venture One, Longacre Close, Holbrook Industrial Estate, Sheffield, S20 3FR.

FR: Evolution Power Tools SAS. 61 Avenue Lafontaine, 33560, Carbon-Blanc, Bordeaux, France.

De fabrikant verklaart hierbij dat de machine zoals beschreven in deze verklaring voldoet aan alle relevante bepalingen van de machinerichtlijn en andere toepasselijke richtlijnen, zoals hieronder beschreven.

De fabrikant verklaart verder ook dat de machine, zoals beschreven in deze verklaring, indien van toepassing, aan de relevante bepalingen over de essentiële vereisten voor gezondheid en veiligheid voldoet.

De richtlijnen waarop deze verklaring betrekking heeft, worden hieronder nader beschreven:

UK legislation _ Supply of Machinery (Safety) Regulations 2008;
UK legislation _ Electromagnetic Compatibility Regulations 2016;
UK legislation _ The Restriction of the Use of Certain Hazardous Substances in Electrical and Electronic Equipment Regulations 2012
UK regulation _ The Waste Electrical and Electronic Equipment Regulations 2013

En is conform de van toepassing zijnde vereisten van de volgende documenten:

BS EN 62841-1:2015 • BS EN 62841-2-10: 2017;
BS EN IEC 55014-1-2021 • BS EN IEC 55014-2-2021

Productgegevens

Omschrijving: R120MXR-Li DRAADLOZE STAAFMIXER
 Productcode: 087-0001
 Merknaam: EVOLUTION
 Spanning: 18 V DC

De technische documentatie die vereist is om aan te tonen dat het product aan de vereisten van de richtlijnen voldoet is verzameld en beschikbaar voor onderzoek door relevante handhavingsinstanties, en verifieert dat ons technische dossier de documenten hierboven bevat en dat ze de correcte standaarden zijn voor het hierboven beschreven product.

Naam en adres van de houder van de technische documentatie.

Handtekening:  Afdruk: Barry Bloomer - CEO

Datum: 22/03/22

VK: Evolution Power Tools, Venture One, Longacre Close, Holbrook Industrial Estate, Sheffield, S20 3FR.

FR: Evolution Power Tools SAS. 61 Avenue Lafontaine, 33560, Carbon-Blanc, Bordeaux, France.

Opmerking

VIKTIGT

Läs noggrant igenom dessa drifts- och säkerhetsinstruktioner i sin helhet.

För din egen säkerhet, om du är osäker på någon aspekt gällande användningen av den här utrustningen, kontakta relevant teknisk hjälplinje, numret kan hittas på Evolution Power Tools webbsida.

Vi har flera hjälplinjor i vår globala organisation, men teknisk hjälp finns även tillgänglig hos din leverantör.

WEBBSIDA

www.evolutionpowertools.com

E-POST**Storbritannien:**

customer.services@evolutionpowertools.com

USA: evolutioninfo@evolutionpowertools.com

GARANTI

Grattis till ditt köp av en Evolution Power Tools-maskin. Slutför din produktregistrering online med hjälp av instruktionerna i broschyren som levereras tillsammans med den här maskinen. Detta kommer att göra det möjligt för dig att validera din maskins garantiperiod via Evolutions webbsida, genom att ange din information och på så vis möjliggöra snabb service vid behov. Vi är glada över att du valt en produkt från Evolution Power Tools.

Evolution Power Tools reserverar sig för rättigheten att göra förbättringar och ändringar av produktens design utan förvarning. Se broschyren gällande garantiregistrering och/eller förpackningen för information om garantins villkor.

R120MXR-Li SPECIFIKATIONER

MASKINSPECIFIKATIONER	STORBRITANNIEN/ EU/AUS	USA
Produktkod	087-0001, 087-0001-K, 087-0001A-K, 087-0001A, 087-0001B, 087-0001B-K, 087-0001C	087-0004, 087-0004A
Ström	18 V likström	20 V likström
Hastighet utan belastning	0–650 min ⁻¹	0–650 rpm
Vikt utan skovel (utan batteri)	3,9 kg	8,6 lbs
Vikt med skovel (utan batteri)	5,1 kg	11,2 lbs
Högsta kapacitet	40 L	
Storlek på skovel (tillhandahållen)	120 mm	4–11/16 tum
Montering av skovel	14 mm (hona)	8/16 tum
Tillhandahållen skovel	120 mm (4–11/16 tum) Helix – multifunktionell skovel	

LJUD- OCH VIBRATIONSDATA	
Ljudeffektsnivå (L_{WA})	18 V/20 V: L _{WA} : 90,5 dB(A), K _{WA} : 3 dB(A)
Ljudtrycksnivå (L_{pA})	18/20 V:L _{pA} : 79,5 dB(A), K _{pA} : 3 dB(A)
Vibration (m/sek ²) 15,8 K = 1,5	18/20 V: ah= 1,777 m/s ² Osäkerhet K=1,5 m/s ²
Vibration (m/sek ²) Höger handtag	18/20 V: ah= 1,655 m/s ² Osäkerhet K=1,5 m/s ²

Anmärkning: Vibrationsmätningar gjordes under standardförhållanden i enlighet med:

EN 62841-1: 2015, EN 62841-2-10:2017

Det deklarerade totala vibrationsvärdet har uppmätts i enlighet med en standardtestmetod och kan användas för att jämföra ett verktyg med ett annat.

Det deklarerade totala vibrationsvärdet kan också användas vid en preliminär bedömning av exponering.

VIBRATION

VARNING: Vid användning av den här maskinen kan operatören utsättas för höga nivåer av vibration som överförs till handen och armen. Det är möjligt att operatören utvecklar vibrationsskador och vita fingrar (Raynauds syndrom). Det här tillståndet kan minska handens känslighet för temperaturer samt skapa allmänna domningar. Långvariga eller regelbundna användare av den här maskinen bör kontrollera tillståndet hos sina händer och fingrar nogga. Om några av symptomen dyker upp, sök direkt läkarvård.

- Mätning och bedömning av mänsklig exponering för handöverförd vibration på arbetsplatsen ges i:
EN 62841-1 och EN 62841-2-10
- Många faktorer kan påverka den aktuella vibrationsnivån under drift, exempelvis arbetsytans förhållanden och riktning, samt maskintypen som används och dess skick. Före varje användning, ska sådana faktorer bedömas och där möjligt ska lämplig arbetspraxis användas. Hantering av dessa faktorer kan hjälpa till att minska vibrationseffekterna:

Hantering

- Hantera den här maskinen med försiktighet och låt den göra sitt arbete.
- Undvik att använda överdriven fysisk kraft på någon av maskinens kontroller.
- Tänk på din säkerhet och stabilitet och maskinens riktning vid användning.

Arbetsyta














- Tänk på arbetsytans material; dess skick, densitet, styrka, stabilitet och läge.




VARNING: Vibrationsemissionen under faktisk användning av elverktyget kan skilja sig åt från det deklarerade totala värdet beroende på hur verktyget används. Behovet att identifiera säkerhetsåtgärder och att skydda operatören baseras på en uppskattning av exponering i de faktiska användningsförhållandena (med alla delar av driftcykeln i åtanke, såsom antalet gånger verktyget stängs av, när det går på tomgång, utöver utlösningstid).

ETIKETTER OCH SYMBOLER

VARNING: Använd inte denna maskin om varnings- och/eller instruktionsetiketterna saknas eller är skadade. Kontakta Evolution Power Tools för ersättningsetiketter.

Anmärkning: Alla eller några av följande symboler kan visas i manualen eller på produkten.

Symbol	Beskrivning
V	Volt
A	Ampere
Min ⁻¹ /rpm	Hastighet
~	Växelström
n ₀	Hastighet utan belastning
	Bär skyddsglasögon
	Bär hörselskydd
	Bär dammskydd
	Läs instruktioner
	Dubbelt isolerad
	CE-certifikat
	UKCA-certifikat
	TUV SUD-certifikat
	El- och elektronikavfall
	Triman – Avfallshämtning och återvinning
	Varning
	(RCM) Överenskomstmärkning för el- och elektronikutrustning. Standarder i Australien/Nya Zeeland
	Håll borta från värme och öppna lågor – får inte brännas

	Håll borta från vatten – sänk inte ner i vätska
	Högsta temperatur max. 40°C
	Likström

AVSEDD ANVÄNDNING AV DETTA ELVERKTYG

VARNING: Den här produkten är en handhållen sladdlös skovelblandare som har utformats för att användas tillsammans med Evolutions blandningsskovelar. Använd endast tillbehör som är utformade för att användas tillsammans med denna maskin och/eller de som specifikt rekommenderas av Evolution Power Tools Ltd.

När den används tillsammans med en lämplig skovel kan den här maskinen användas för att blanda:

Gips | Färg | Murbruk | Klister
Cement | Pulverbaserade byggnadsprodukter

FÖRBJUDEN ANVÄNDNING AV DETTA ELVERKTYG

VARNING: Den här produkten är en handdriven sladdlös skovelblandare och ska endast användas som sådan. Den får inte modifieras på något sätt eller användas för att ge el åt någon annan utrustning eller för att driva några andra tillbehör än de som omnämns i den här bruksanvisningen. Den här mixern får inte användas för preparering av livsmedel.

VARNING: Den här maskinen är inte avsedd att användas av personer (inklusive barn) med reducerad fysisk, sensorisk eller mental förmåga, eller med bristande erfarenhet och kunskap, om de inte övervakas eller har fått instruktioner gällande maskinens säkra användning av en person som ansvarar för deras säkerhet och som är förtrogen med dess säkra användning. Barn ska övervakas för att säkerställa att de inte har åtkomst till eller leker med den här maskinen.

ALLMÄNNA SÄKERHETSINSTRUKTIONER**FÖR ELVERKTYG****(2.1) ALLMÄNNA SÄKERHETSINSTRUKTIONER**

(Dessa allmänna säkerhetsinstruktioner för elverktyg är i enlighet med EN 62841-1: 2015, UL Std. UL 62841-1 och CSA Std. C22.2 Nr. 62841-1).

VARNING: Läs igenom alla säkerhetsvarningar, instruktioner, illustrationer och specifikationer som levereras tillsammans med elverktyget.

Underlåtelse att följa alla varningar och instruktioner kan leda till elstöt, brand och/eller allvarlig skada.

Spara alla varningar och instruktioner för framtida referens.

Termen "elverktyg" i varningarna avser ditt nätdrivna (sladdanslutna) elverktyg eller batteridrivna (sladdlösa) elverktyg.

VARNING: Läs alla säkerhetsinstruktioner och varningar. Underlåtelse att följa varningar och instruktioner kan resultera i elstöt, brand och/eller allvarlig skada.

Spara alla varningar och instruktioner för framtida referens. Termen "elverktyg" i varningarna avser ditt nätdrivna (sladdanslutna) elverktyg eller batteridrivna (sladdlösa) elverktyg.

(2.2) 1) Allmänna säkerhetsvarningar för elverktyg [Säkerhet på arbetsområdet]

- a) Håll arbetsområdet rent och väl upplyst.** Röriga eller mörka områden kan bidra till olyckor.
- b) Använd inte elverktyg i explosiva miljöer, som i närheten av brandfarliga vätskor, gaser eller damm.** Elverktyg skapar gnistor som kan antända damm eller rök.
- c) Håll barn och andra personer på avstånd när elverktyg används.** Distraktioner kan leda till att du förlorar kontrollen.

(2.3) 2) Allmänna säkerhetsvarningar för elverktyg [Elsäkerhet]

- a) Elverktygets stickpropp måste passa i uttaget. Modifiera aldrig kontakten på något sätt. Använd inte adapterkontakter tillsammans med jordade elverktyg.** Icke-modifierade kontakter och matchande uttag minskar risken för elektriska stötar.
- b) Undvik kroppskontakt med jordade ytor, som rör, radiatorer, fristående ugnar och kylskåp.** Det finns en ökad risk för elektriska stötar om din kropp är jordad.
- c) Utsätt inte elverktygen för regn eller våta förhållanden.** Om vatten tränger in i ett elverktyg ökar risken för elstöt.
- d) Använd inte sladden på fel sätt. Använd aldrig sladden för att bära, dra eller koppla ur elverktyget. Håll sladden borta från värme, olja, vassa kanter och rörliga delar.** Skadade eller intrasslade sladdar ökar risken för elstöt.
- e) Använd en lämplig förlängningssladd för utomhusbruk när du använder elverktyget utomhus.** Användning av en sladd som är lämplig

för utomhusbruk minskar risken för elektriska stötar.

f) Om det är oundvikligt att använda ett elverktyg i ett fuktigt utrymme, använd en jordfelsbrytare (JFB). Att använda en JFB minskar risken för elstöt.

(2.4) 3) Allmänna säkerhetsvarningar för elverktyg [Personlig säkerhet].

- a) Var uppmärksam, se upp med vad du gör och använd sunt förnuft när du använder ett elverktyg.** Använd inte elverktyget om du är trött eller påverkad av droger, alkohol eller mediciner. Ett ögonblick av bristande uppmärksamhet när elverktyg används kan resultera i allvarliga personsador.
- b) Använd personlig skyddsutrustning.** Använd alltid ögonskydd. Skyddsutrustning som dammfiltermask, halkfria skyddsskor, skyddshjälm eller hörselskydd som används under lämpliga förhållanden minskar risken för personsador.
- c) Förhindra oavsiktlig start.** Se till att strömbrytaren är i avstängt läge innan du ansluter till strömkällan och/eller batteripaketet, tar upp eller bär verkytet. Att bära elverktyg med fingret på strömbrytaren eller att ge ström till elverktyg som har strömbrytaren påslagen inbjuder till olyckor.
- d) Ta bort eventuell justeringsnyckel eller skiftnyckel från bladbulten innan elverktyget startas.** En skiftnyckel eller nyckel som sitter kvar på en roterande del av ett elverktyg kan leda till personsador.
- e) Luta dig inte för mycket. Ha hela tiden ordentligt fotfäste och bra balans.** Detta gör det lättare att kontrollera verkytet i oväntade situationer.
- f) Anpassa dina kläder.** Bär inte lösa kläder eller smycken. Håll hår, kläder och handskar borta från rörliga delar. Lösa kläder, smycken eller långt hår kan fastna i rörliga delar.
- g) Om anordningar finns för anslutning av dammutsug och dammuppsamling, se till att dessa är anslutna och används på rätt sätt.** Användning av dammuppsamling kan minska dammrelaterade risker.
- h) Låt inte vanan med verkyten leda till att du blir för bekväm och ignorerar säkerhetsprinciperna för verkyten.** En oförsiktig handling kan orsaka allvarliga skador inom en bråkdel av en sekund.

(2.5) 4) Allmänna säkerhetsvarningar för elverktyg [Användning och skötsel av elverktyg].

- a) Använd inte tvång mot elverktyget.** Använd elverktyg som är lämpliga för ditt användningsområde. Rätt elverktyg gör jobbet bättre och säkrare med den hastighet som det är konstruerat för.

- b) Använd inte elverktyget om strömbrytaren inte kan slå på eller av det.** Elverktyg som inte kan kontrolleras med strömbrytaren är farliga och måste repareras.
- c) Koppla bort elverktyget från strömkällan innan du gör några justeringar, byter tillbehör eller förvarar elverktyget.** Sådana förebyggande säkerhetsåtgärder minskar risken för att oavsiktligt starta elverktyget.
- d) Förvara elverktyg som går på tomgång utom räckhåll för barn och låt inte någon som inte är förtrogen med elverktyget eller dessa instruktioner använda elverktyget.** Elverktyg är farliga om de används av okunniga användare.
- e) Underhåll av elverktyg.** Kontrollera att rörliga delar inte är feljusterade eller fastlåsta, att inga rörliga delar är trasiga eller att något annat förhållande kan påverka elverktygets funktion. Om verktyget är skadat ska det repareras innan det används. Många olyckor orsakas av dåligt underhållna elverktyg.
- f) Håll sågverktygen vassa och rena.** Korrekt underhållna sågverktyg med vassa sågkanter kommer mindre sannolikt att bindas och är enklare att kontrollera.
- g) Använd elverktyget, tillbehören och verktygsbits osv., i enlighet med dessa instruktioner, med hänsyn till arbetsförhållandena och det arbete som ska utföras.** Användning av elverktyget för andra ändamål än de avsedda kan leda till en farlig situation.
- h) Håll handtag och grepppytor torra, rena och fria från olja och fett.** Hala handtag och grepppytor gör det inte möjligt att hantera och kontrollera verktyget i oväntade situationer.

(2.6) 5) Användning och skötsel av batteridrivet verktyg

- a) Ladda endast med laddaren som tillverkaren har specificerat.** En laddare som är lämplig för en typ av batteripaket kan utgöra en brandrisk när den används med ett annat batteripaket.
- b) Använd endast elverktyg med särskilt utsedda batteripaket.** Användning av andra batteripaket kan utgöra en risk för skada och eldsvåda.
- c) När batteripaketet inte används, håll det borta från andra metallföremål, som pappersgem, mynt, nycklar, spikar, skruvar eller andra små metallföremål som kan skapa en anslutning från en terminal till en annan.** Kortslutning av batteripoolerna kan orsaka brännskador eller en eldsvåda.
- d) Under missförhållanden kan vätska rinna ut från batteriet; undvik kontakt. Om**

kontakt inträffar av misstag, spola med vatten. Om vätska kommer i kontakt med ögon, sök ytterligare läkarvård. Batterivätska kan orsaka irritation och sveda.

e) Använd inte ett batteripaket eller verktyg om det är trasigt eller modifierat. Skadade eller ändrade batterier kan uppvisa oberäkneligt beteende, vilket kan resultera i brand, explosion eller risk för skada.

f) Exponera inte ett batteripaket eller verktyg för eld eller höga temperaturer. Exponering för temperatur över 130 °C kan orsaka explosion.

Anmärkning: Temperaturen 130 °C kan ersättas med temperaturen 265 °F.

g) Följ alla instruktioner för laddning och ladda inte batteripaketet eller verktyget vid temperaturer som ligger utanför intervallet som specificerats i instruktionerna. Felaktig laddning eller temperatur som ligger utanför det specificerade intervallet kan skada batteriet och öka risken för eldsvåda.

6) Service

- a) Låt en kvalificerad reparatör utföra service på elverktyget och använd endast identiska reservdelar.** Detta garanterar att elverktygets säkerhet upprätthålls.
- b) Serva aldrig trasiga batteripaket.** Service av batteripaketet ska endast utföras av tillverkaren eller auktoriserade serviceleverantörer.

Säkerhetsinstruktioner för mixer

- a) Håll verktyget med båda händerna i handtagen.** Förlust av kontroll kan leda till personskada.
- b) Se till att det finns bra ventilering när brandfarliga material blandas för att förhindra riskfylld atmosfär.** Ångan som skapas kan inandas eller andas av gnistorna som elverktyget skapar.
- c) Blanda inte livsmedel.** Elverktygen och deras tillbehör är inte utformade för att behandla livsmedel.
- d) Se till att blandningsbehållaren är placerad i ett stadigt och säkert läge, för att förhindra att behållaren vänder sig.** En behållare som inte är fäst på korrekt vis kan flytta sig oväntat.
- e) Se till att ingen vätska skvätter upp mot elverktygets hölje.** Vätska som har tagit sig in i elverktyget kan orsaka skada och leda till elstöt.
- f) Följ instruktionerna och varningarna för materialet som ska blandas.** Materialet som ska blandas kan vara skadligt.
- g) Om elverktyget faller ner i materialet som ska blandas, ta bort batteriet från maskinen och be en kvalificerad reparatör kontrollera elverktyget.**
- h) Stoppa inte ner dina händer i blandningsbehållaren och sätt inte in några andra föremål i den under blandning.** Kontakt

med blandningsbehållaren kan leda till allvarlig personskada.

i) Starta och använd endast verktyget när det är i blandningsbehållaren.

Blandningsbehållaren kan böja sig eller börja snurra okontrollerat.

HÅLSORÅD

VARNING: När du använder den här maskinen kan dammpartiklar skapas. Under vissa omständigheter, beroende på vilket material du arbetar med, kan detta damm vara speciellt skadligt. Om du misstänker att ytfärgen hos materialet som du såga innehåller bly, sök experthjälp. Blybaserade färger ska endast tas bort av en specialist och du ska inte försöka ta bort dem på egen hand. Så fort damm har hamnat på ytor, kan hand-till-mun-kontakt resultera i inandning av bly. Exponering även för låga nivåer av bly kan orsaka oåterkalleliga skador på hjärna och nervsystem. Unga personer och ofödda barn är speciellt sårbara.

Du rekommenderas att ta hänsyn till riskerna som är associerade med materialen som du arbetar med för att minska exponeringsrisken. Då en del material kan skapa damm som kan vara skadligt för din hälsa rekommenderar vi att du använder en godkänd ansiktsmask med utbytbar filter när du använder maskinen.

Du ska alltid:

- Arbeta på en väl ventilerad plats.
- Arbeta med lämplig säkerhetsutrustning, som dammfiltermasker som är speciellt utformade för att filtrera mikroskopiska partiklar.

VARNING: användning av elverktyg kan resultera i att främmande föremål flyger mot dina ögon, vilket kan resultera i allvarlig ögonskada. Innan du använder ett elverktyg, använd alltid skyddsglasögon eller skyddsglasögon med sidskydd eller ett visir om nödvändigt.

YTTERLIGARE SÄKERHETSINSTRUKTIONER

- Ett lämpligt industriellt blandningskar, helst i plast, ska användas och placeras på en säker och stabil horisontell yta.
- Operatören ska ha en säker position med båda fötterna stadiga och lätt separerade. Den här maskinen kräver att man använder båda händerna. Den här maskinen kan inte användas med en hand.
- Operatören ska använda arbetskläder som inte sitter löst eller en tajt overall när den här utrustningen används. Löst sittande kläder utgör en fara, då de kan fastna i maskinens roterande delar.
- Lösa smycken eller smyckeskedjor ska tas bort och förvaras säkert, innan maskinen används. Lösa smycken kan utgöra en fara, då de kan

fastna i maskinens roterande delar.

- Operatören ska hålla den här maskinen ordentligt i de isolerade handtagen som har en ergonomisk greppyta.
- Säkerhetsglasögon eller helmask ska alltid användas för att ge skydd mot material som av misstag kan kastas från blandningskaret under blandning.
- En dammfiltermask ska användas för att ge skydd från material som kan kastas från blandningskaret, speciellt under den första blandningsprocessen.
- Maskinen ska bara startas när skovelblandaren är i blandningskaret. Starta maskinen med hastigheten inställd på lägsta hastighet och öka gradvist hastigheten fram tills optimal blandningsprestanda uppnås.
- Operatören ska aldrig sträcka sig in i blandningskaret eller sätta in några föremål eller verktyg i blandningskaret under tiden som blandningen pågår.
- Den här maskinen ska inte användas i en miljö med en potentiell explosiv atmosfär. Detta skulle kunna inkludera fabriker, garage och andra stängda utrymmen (bagerier, spannmålssil osv) som kan innehålla en signifikant mängd av luftburet damm eller andra partiklar.
- Den här maskinen ska inte användas för att blanda några lättantändliga lösningsmedel eller lösningsmedel som innehåller ämnen med en flampunkt som är lägre än 21°C.
- Under drift, om maskinen ska förvaras tillfälligt (genom att placeras på en horisontell arbetsyta) måste operatören se till att maskinen placeras på dess handtag med skoveln som en tredje kontaktpunkt.

KOMMA IGÅNG – UPPACKNING

Försiktighetsåtgärd: Den här förpackningen innehåller vassa föremål. Var försiktig vid uppäckning. Ta ut maskinen tillsammans med de levererade tillbehören ur förpackningen. Kontrollera noggrant för att säkerställa att maskinen är i bra skick och har alla tillbehör som listas i den här manualen. Se också till att alla tillbehören är kompletta. Om några delar saknas ska maskinen och tillbehören returneras tillsammans i originalförpackningen till återförsäljaren. Släng inte förpackningen, förvara den på ett säkert vis under hela garantiperioden. Släng förpackningen på ett miljövänligt sätt. Återvinn om möjligt. Låt inte barn leka med tomma plastpåsar på grund av kvävningsrisk.

LEVERERADE ARTIKLAR

Beskrivning	087-0001, 087-0001-K, 087-0004,	087-0001A, 087-0001-AK, 087-0001B, 087-0001BK, 087-0001C, 087-0004A
Bruksanvisning	✓	✓
Sladdlös motorenhet för skovelblandare	✓	✓
Helicon 120 mm skovelblandare (UPP-blandning)	✓	✓
Skovelskruvnyckel	✓	✓
2Ah-batteri		
4Ah-batteri		
5Ah-batteri		✓
8Ah-batteri		
Enkel laddningsstation		✓
Dubbel laddningsstation		

EXTRA TILLBEHÖR

Förutom standardartiklarna som levereras tillsammans med den här maskinen finns även följande tillbehör tillgängliga i Evolutions onlinebutik www.evolutionpowertools.com eller från din lokala återförsäljare.

Beskrivning	Delnr
Parallell 120 mm skovel	123-0001
Spiral 120 mm skovel	123-0002
Helicon 120 mm skovel (UPP-blandning)	123-0003
Helicon 120 mm skovel (NED-blandning)	123-0004
Helicon 140 mm skovel (UPP-blandning)	123-0005

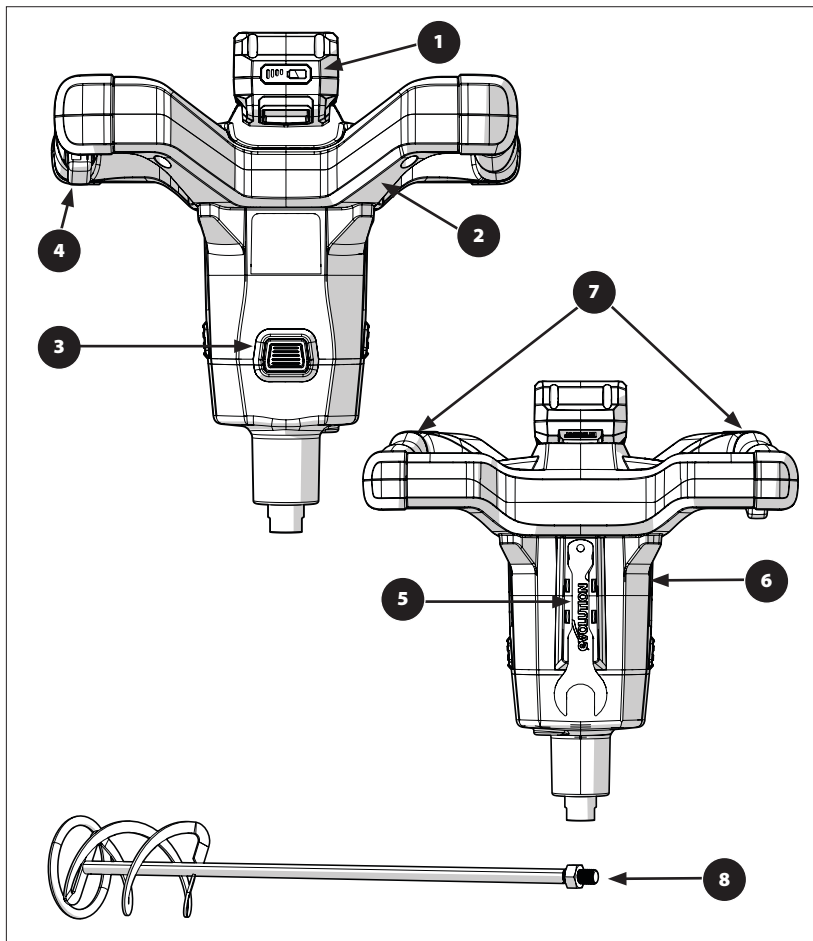
VARNING: Då andra tillbehör än de som erbjuds av Evolution Power Tools Ltd inte har testats tillsammans med den här produkten, skulle det kunna vara farligt att använda dem tillsammans med det här verktyget. För att reducera risken för skada, ska endast tillbehör som Evolution har rekommenderat användas tillsammans med den här produkten.

REKOMMENDERADE BATTERIER/LADDARE

Beskrivning	Delnr	
2Ah-batteri	R18BAT-Li2, R20BAT-Li2	EBAT18-Li-2
4Ah-batteri	R18BAT-Li4, R20BAT-Li4	EBAT18-Li-4, EHPB18-Li-4
5Ah-batteri	R18BAT-Li5, R20BAT-Li5	EBAT18-Li-5
8Ah-batteri	R18BAT-Li8, R20BAT-Li8	EHPB18-Li-8
R18RCH-Li1 - Enkel laddningsstation	R18RCH-Li1, R20RCH-Li1	EFC18-Li
R18RCH-Li2 - Dubbel laddningsstation	R18RCH-Li2, R20RCH-Li2	EMC18-Li

Om du har för avsikt att förvara ett batteri under en period utan användning, förvara då batteriet i rumstemperatur (0°C till 20°C) Vid lagring under väldigt långa perioder, utjämningsladda batteriet en gång om året för att förhindra urladdning; intervall för omgivningstemperaturen som verktyg och batteri använder: 0°C till 40°C; Laddningstemperaturen: 5 °C till 40 °C

R120MXR-Li MASKINÖVERSIKT



1. BATTERIFÖRPACKNING
2. LED-ARBETSLAMPA
3. LÅS-KNAPP FÖR HJULAXEL
4. VARIABEL HASTIGHETSUTLÖSARE
5. INBYGGD VERKTYGSFÖRVARING
6. MOTOR-ENHET
7. HANDTAG
8. SKOVEL

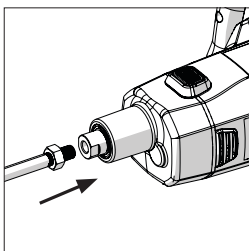


Fig. 1

MONTERING

Skovelblandaren

Anmärkning: Skovelblandaren från Evolution levereras tillsammans med en multifunktionell skovelblandare.

Sätt in och ta bort skovelblandaren (Fig. 1)

- 1) Sätt in skovelgången i hjulaxeln genom att vrida den medurs.
- 2) Spänn fast skoveln genom att trycka och hålla ner hjulaxelns låsknapp och använd den levererade skiftnyckeln för att spänna skoveln medurs.
- 3) För att ta bort skoveln, tryck och håll ner hjulaxelns låsknapp och använd den levererade skiftnyckeln och gör samma sak i omvänd ordning.

Anmärkning: Maskinens hjulaxel (Fig. 2) sticker ut från motorenheten, och har två plana ytor på den för den levererade skruvnyckeln. Det interna hålet i hjulaxeln har en Ø14 mm gänga. Den här interna gången matchar den externa Ø14 mm gänga som finns på skovelblandarens skaft. Skovelblandaren ska skruvas in i maskinens hjulaxel och spännas ordentligt.

Handposition

VARNING: för att minska risken för allvarlig skada, håll ALLTID maskinen med båda händerna i de avsedda handtagen, håll ett säkert avstånd och koncentrera dig på arbetet. Omvänt vridmoment på handtagen kan göra att man förlorar kontrollen och leda till personskada.

DRIFTINSTRUKTIONER

För att sätta in/ta bort batteriet

För att montera batteriet, sätt in det ordentligt i verktyget tills du hör ett klick, se till att batteriet är helt på plats och låst i läge. För att ta bort batteriet, tryck ner batteriets utlösningssknapp och dra ut batteriet ur verktyget.

Använda blandaren och den variabla hastighetskontrollen

- Använd inte det här verktyget för att blanda eller pumpa lättantändliga eller explosiva vätskor (bensin, alkohol osv.)
- Blanda inte brännbara vätskor som är märkta som sådana
- Kontrollera alltid varningar gällande brandfarlighet innan blandning påbörjas.
- Säkra blandningsbehållaren så att den inte välter.
- Använd alltid skyddsglasögon, handskar och andningsskydd när du arbetar med den här maskinen.
- Använd hörselskydd vid långvarig användning. Höga bullernivåer under längre perioder kan påverka din hörsel.

Anmärkning: Strömbrytaren är ergonomiskt belägen på undersidan av det högra handtaget.

- 1) Tryck ner säkerhetslåsknappen (Fig. 3a) och håll den nedtryckt, tryck sedan in avlösaren (Fig. 3b)
- 2) Tryck ner avlösaren för att öka rotationshastigheten.
- 3) För avstängning, släpp strömbrytaren.

Under blandningsprocessen ska du guida blandaren runt i behållaren för att se till att blandningen blir jämn. Fortsätt fram tills materialet är helt blandat.

Försiktighetsåtgärd: Om blandaren kommer i kontakt med behållarens yta under drift kan detta leda till bakkast.

Försiktighetsåtgärd: Sänk ALLTID hastigheten när blandaren sänks ner i

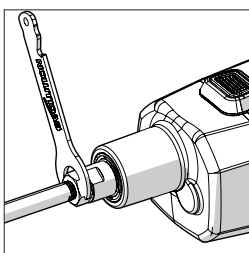


Fig. 2

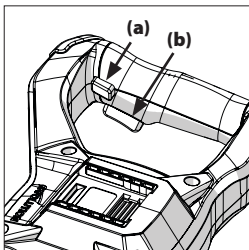


Fig. 3

materialet eller när den tas ut. När blandaren väl är helt nedsänkt, öka hastigheten på nytt för att se till att motorn är nedkyld.

LED-arbetslampa

Så fort som strömbrytaren trycks ner kommer LED-arbetslampan att slås på.

FELSÖKNING

Skydd mot överbelastning: Maskinen har stängt av sig av sig själv. Maskinen är för varm! Låt maskinen gå på tomgång fram tills den har kylts ned.

UNDERHÅLL

WARNING: För att minska risken för personskada, stäng av och koppla bort batteripaketet innan några justeringar eller borttagning/montering av fästen eller tillbehör görs.

Rengör maskinen och skoveln direkt efter användning.

Använd en ren, lätt fuktad trasa för att rengöra maskinens plastdelar. Använd inte lösningsmedel eller liknande produkter som kan skada plastdelarna.

Väldsamma gnistor kan indikera att det finns smuts i motorn eller att kolborstarna är slitna. Om detta misstänks, låt en behörig tekniker serva maskinen och ersätta borstarna.

MILJÖSKYDD

Placera aldrig några elverktyg i ditt hushållsavfall. För att efterleva EU-direktivet 2012/19/EU gällande gammal el- och elektronisk utrustning och dess implementering i nationell lagstiftning, måste gamla elverktyg separeras från annat avfall och slängas på ett miljövänligt sätt, dvs genom att ta dem till en återvinningsanläggning.

Återvinningsalternativ till återlämning: Som alternativ till att returnera utrustningen till tillverkaren, måste ägaren av den elektroniska utrustningen se till att utrustningen korrekt avyttras om hen inte längre vill behålla utrustningen. Den gamla utrustningen kan returneras till en lämplig uppsamlingspunkt som kommer att göra sig av med utrustningen i enlighet med de nationella bestämmelserna för återvinning och avyttring av avfall. Det här gäller inte för tillbehör eller hjälpmedel utan elektriska komponenter som levererats tillsammans med den gamla utrustningen.

Miljöskador på grund av felaktig avyttring av batterier/uppladdningsbara batterier. Batterier/uppladdningsbara batterier ska inte slängas tillsammans med hushållsavfall. De kan innehålla giftiga tungmetaller och är föremål för regler och bestämmelser för behandling av farligt avfall. Avyttra batterier i enlighet med relevanta lokala bestämmelser.

Ta bort batteriet från produkten innan avyttring.



EG-FÖRSÄKRAN OM ÖVERENSSTÄMMELSE



Tillverkaren av produkten som täcks av den här deklARATIONEN är:

Storbritannien: Evolution Power Tools, Venture One, Longacre Close, Holbrook Industrial Estate, Sheffield, S20 3FR.

Franska: Evolution Power Tools SAS. 61 Avenue Lafontaine, 33560, Carbon-Blanc, Bordeaux, Frankrike.

Tillverkaren försäkrar härmed att maskinen, i enlighet med deklARATIONEN uppfyller alla de relevanta bestämmelserna för maskindirektivet och andra lämpliga direktiv som detaljeras nedan. Tillverkaren försäkras vidare att maskinen som detaljeras i den här deklARATIONEN, där tillämpligt, uppfyller relevanta bestämmelser för viktiga hälso- och säkerhetskrav.

Direktiven som täcks av den här deklARATIONEN detaljeras nedan:

2006/42/EC.	Maskindirektiv.
2014/30/EC.	Direktivet om elektromagnetisk kompatibilitet.
2011/65/EU.	Direktivet om begränsad användning av vissa farliga
och	substanser i elektronisk utrustning (RoHS).
2015/863/EU.	
2012/19/EU.	Direktivet om el- och elektronikavfall (WEEE).

Och är förenliga med gällande krav i följande dokument:

**EN 62841-1:2015 • EN 62841-2-10:2017 • EN 55014-1:2017+A11:2020 •
EN IEC 55014-1-2021 • EN IEC 55014-2-2021**

Produkt detaljer

Beskrivning:	R120MXR-Li SLADDLÖS SKOVELBLANDARE
Produktkod:	087-0001
Varumärkesnamn:	EVOLUTION
Spänning:	18 V likström

Den tekniska dokumentationen som krävs för att visa att produkten möter krav i direktivet har sammanställts och finns tillgänglig för inspektion av relevant tillsynsmyndighet, och bekräftar att din tekniska dokumentation innehåller dokumenten som listas ovan och att de har korrekta standarder för produkten som detaljeras ovan.

och att de har de korrekta standarderna för produkten som detaljeras ovan.

Namn och adress för innehavare av teknisk dokumentation.

Undertecknad:  Utskrift: Barry Bloomer – CEO

Datum: 22/03/22

Storbritannien: Evolution Power Tools, Venture One, Longacre Close, Holbrook Industrial Estate, Sheffield, S20 3FR.

Franska: Evolution Power Tools SAS. 61 Avenue Lafontaine, 33560, Carbon-Blanc, Bordeaux, Frankrike.

evOLUTION®

evolutionpowertools.com

AUS

Total Tools (Importing) Pty Ltd
20 Thackray Road
Port Melbourne
Vic 3207

T: 03 9261 1900

FR

Evolution Power Tools SAS
61 Avenue Lafontaine
33560, Carbon-Blanc
Bordeaux

T: +33 (0)5 57 30 61 89

UK

Evolution Power Tools Ltd
Venture One, Longacre Close
Holbrook Industrial Estate
Sheffield, S20 3FR

T: +44 (0)114 251 1022

USA

Evolution Power Tools LLC
8363 Research Drive
Davenport, IA
52806

T: +1-833-MULTI-SAW (Toll Free)

DE +44 (0)114 251 1022

ES +34 91 114 73 85

NL +44 (0)114 251 1022

PL +48 33 821 0922

PT +34 91 114 73 85

RO +44 (0) 114 2050458

RU +7 499 350 67 69

TR +90 (0) 312 9001810



EPT QR CODE