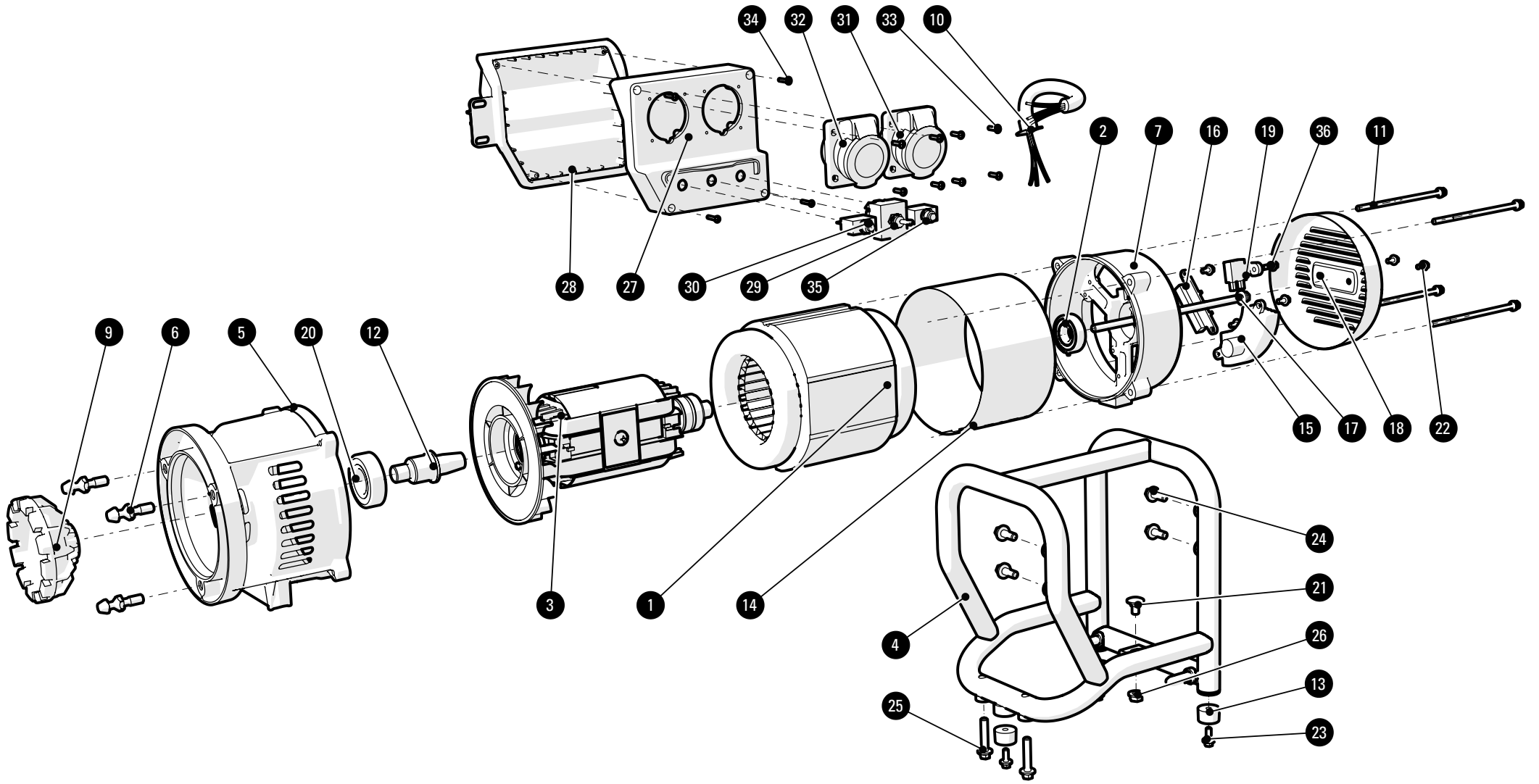




GENERATOR (GEN2800) WITH EVO-SYSTEM® TECHNOLOGY

DIAGRAM PART NUMBER: 014-0114

Registered Design. Patent Pending 1101605.2.





**GENERATOR (GEN2800)
WITH EVO-SYSTEM® TECHNOLOGY
DIAGRAM PART NUMBER: 014-0114**

Registered Design. Patent Pending 1101605.2.

No.	Part No.	Description	Quantity	List Price
1	014-0114-2	Stator 2.5Kw	1	£79.98
2	014-0114-3	Custom Bearing	1	£2.52
3	014-0114-4	Rotor 2.5Kw	1	£89.78
4	014-1061	Frame	1	£25.20
5	014-1063	Adaptor Casting	1	£25.07
6	014-1066	Pin	3	£2.75
7	014-1074	Rear housing	1	£20.25
9	014-1129	Accessory Hub	1	£3.83
10	014-1136	Wiring Loom	1	£12.06
11	014-1137	Fastener Subassy	4	£1.49
12	014-1155	Shaft	1	£8.19
13	014-1165	Ruber Feet	3	£1.35
14	014-1207	Laminations cover	1	£1.53
15	014-1220	AVR	1	£25.75
16	014-1221	Terminal Block	1	£1.76
17	014-1222	Stator Bolt	1	£1.80
18	014-1223	End cover	1	£2.43
19	014-1224	Brush Holder	1	£8.99

No.	Part No.	Description	Quantity	List Price
20	F-B-6205-2RSR	Bearing 6205 2RSR	1	£3.38
21	F-CB-M8-15-ST-BZP	M8 x 15 Coach Bolt	1	£0.36
22	F-HFS-M5-10-ST-BZP	M5 x 10 Hex Flanged Screw	6	£0.36
23	F-HFS-M6-15-ST-BZP	M6 x 15 Hex Flanged Screw	3	£0.36
24	F-HFS-M8-20-ST-BZP	M8 x 20 Hex Flanged Screw	4	£0.56
25	F-HFS-M8-40-ST-BZP	M8 x 40 Hex Flanged Screw	2	£0.66
26	F-NFS-M8-X-ST-SC	M8 Flanged Nut (Serrated)	1	£0.36
27	014-1077	Electrical Housing - Front	1	£3.15
28	014-1078	Electrical Housing - Rear	1	£3.15
29	014-1127	Voltage Selector Switch	1	£9.49
30	014-1226	Overload Switch 10A	1	£10.12
31	014-1210	BS4343 Socket 110V	1	£4.50
32	014-1211	BS4343 Socket 230V	1	£4.50
33	F-TFSPHPZ-30-15-ST-BO	Threadforming PH Screw 30 x 15	8	£0.29
34	F-TFSPHPZ-30-20-ST-BO	Threadforming PH Screw 30 x 20	4	£0.29
35	014-1131	Overload Switch 20A	1	£10.12
36	F-HFS-M5-15-ST-BZP	M5 x 15 Hex Flanged Screw	1	£0.29