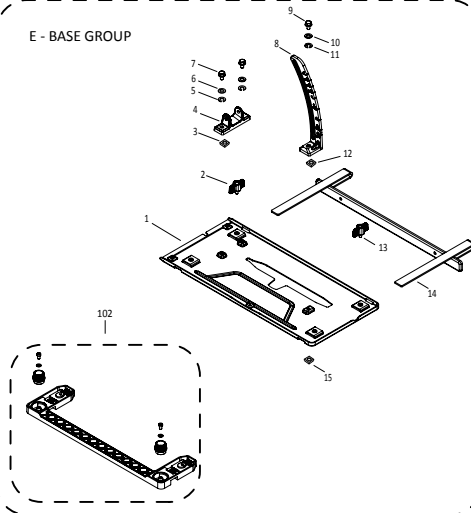
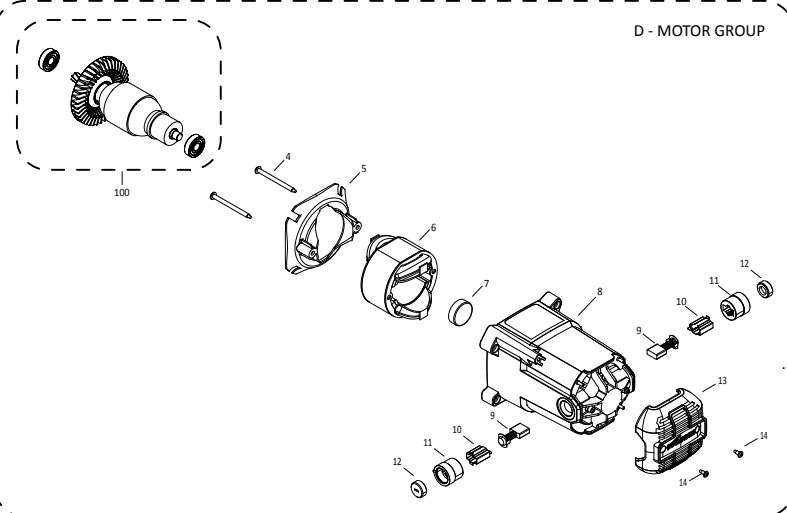


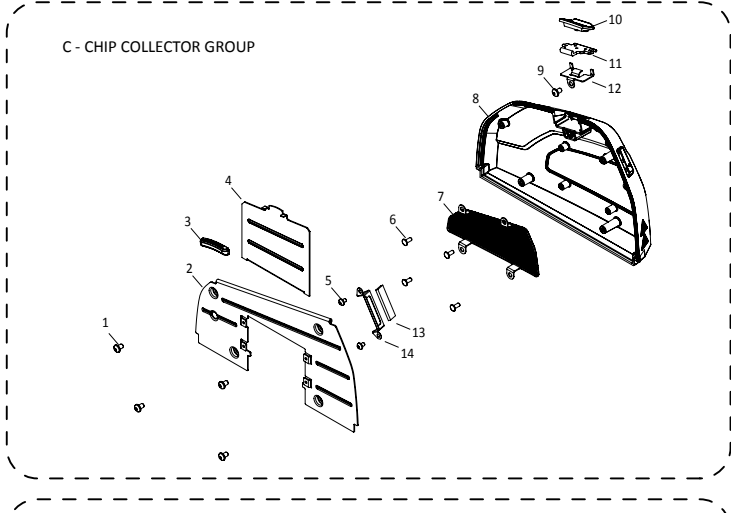
E - BASE GROUP



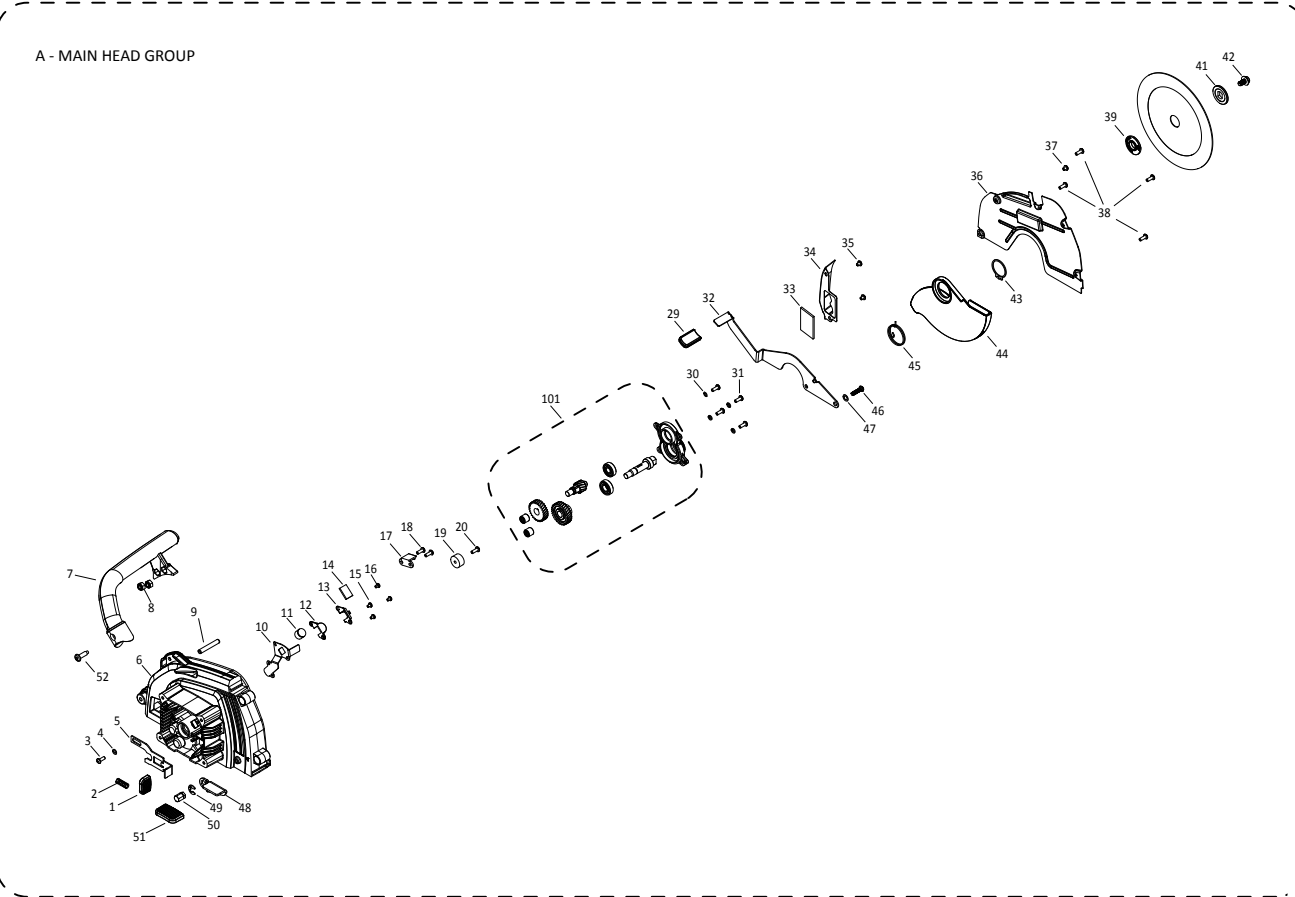
D - MOTOR GROUP



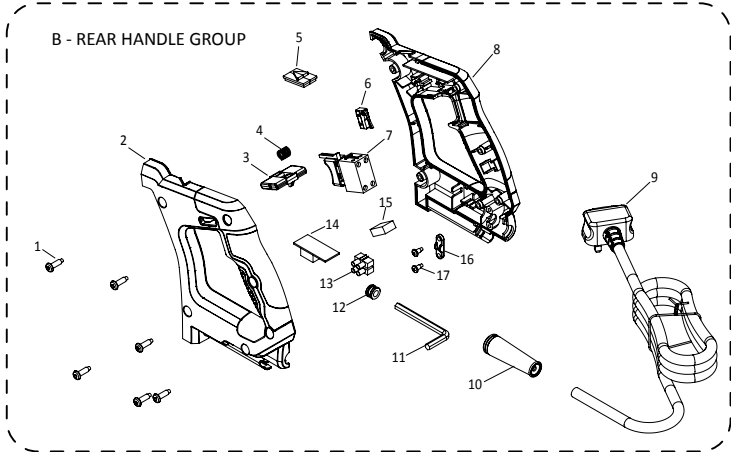
C - CHIP COLLECTOR GROUP



A - MAIN HEAD GROUP



B - REAR HANDLE GROUP



evolution[®]
evolutionpowertools.com

Service Parts List	V: 058-0002	110V UK
210mm Metal Cutting Circular Saw		

No.	Description	Part Code	Qty
A01	ARBOR LOCK SLIDE TAB GRIP	058-0159	1
A02	BLADE LOCK TAB SPRING	058-0202	1
A03	M5 X 14 BUTTON SOCKET	F-SBHS-M5-14-ST-BO	1
A04	M5 WASHER	F-W-M5-ST-BO	1
A05	ARBOR LOCK SLIDE TAB	058-0116	1
A06	HEAD CASTING	058-0114	1
A07	FRONT BALE HANDLE	058-0119-1	1
A08	NUT FULL PLAIN STEEL BO M6	F-NSF-M6-ST-BO	2
A09	SPRING DOWEL HEAVY	F-SDH-600-40-ST-BO	1
A10	WIRE CONDUIT COVER	058-0132	1
A11	LED	058-207	1
A12	LED HOLDER	058-0133	1
A13	LED RETAINER	058-0134	1
A14	LED GLASS	058-0192	1
A15	SCREW BUTTON SELF-TAPPING TORX STEEL BO M4 10MM	F-SBHS-M4-10-ST-BO	2
A16	SCREW BUTTON SELF-TAPPING TORX STEEL BO M5 6MM	F-SBHS-M5-6-ST-BO	2
A17	CHIP COMPARTMENT FIXED CATCH	058-0166	1
A18	SCREW BUTTON SELF-TAPPING TORX STEEL BO M5 6MM	F-SBHS-M5-6-ST-BO	2
A19	STOP BOBBIN	058-0185	1
A20	SCREW PAN HEAD POZIDRIV BO M5 16MM	F-SPHPZ-M5-16-ST-BO-1	1
A29	BLADE GUARD ADVANCE LEVER HANDLE	058-0160	1
A30	WASHER SPRING M5 STEEL BO	F-SWA-M5-BO	4
A31	SCREW BUTTON TORX STEEL BO M5 16MM	F-SBHS-M5-16-ST-BO	8
A32	BLADE GUARD ADVANCE LEVER PRESSING	058-0195	1
A33	SIGHT GLASS FRONT	058-0136	1
A34	SIGHT GLASS FRONT RETENTION & GUARD	058-0142	1
A35	SCREW BUTTON SELF-TAPPING TORX STEEL BO M5 6MM	F-SBHS-M5-6-ST-BO	2
A36	HEAD INNER PANEL	058-0204	1
A37	BUTTON HEAD TORX M5 -6MM	F-SBHS-M5-6-ST-BO	1
A38	BUTTON HEAD SOCKET M5 -16MM	F-SBHS-M5-16-ST-BO	4
A39	FLANGE INNER - DUAL	058-0190	1
A41	FLANGE OUTER	058-0107	1
A42	BLADE BOLT (18SCCSX)	027-0158	1
A43	CIRCLIP EXTERNAL HEAVY DUTY 32MM	F-CCEXT-32-ST-SC	1
A44	BLADE GUARD	058-0108	1
A45	BLADE GUARD TORSION SPRING	058-0110	1
A46	SHOULDER SCREW	058-0111	1
A47	M8 WASHER	F-W-M8-ST-BO	1
A48	DEPTH ADJUST LOCK LEVER SHEETMETAL	058-0175-1	1
A49	HEAVY DUTY EXTERNAL E CLIP 8MM	F-EEXT-8-1-ST-BO	1
A50	DEPTH ADJUST LOCK LEVER NUT	058-0176	1
A51	DEPTH ADJUST LOCK LEVER KNOB	058-0175-2	1
A52	SCREW BUTTON SELF-TAPPING TORX STEEL BO M5 14MM	F-SBHS-M5-14-ST-BO	1
A101	GEARBOX ASSEMBLY	058-0212	1
B01	BUTTON HEAD SELF-TAPPING TORX	F-SBHS-M5-18-ST-BO	6
B02	REAR HANDLE RH	058-0138	1
B03	TRIGGER LOCK OFF GATE	058-0145	1
B04	TRIGGER LOCK OFF GATE SPRING	058-0146	1
B05	OVERLOAD LED LENS HOUSING	058-0156	1
B06	MICROSWITCH V4	MICROSWITCH V4	1
B07	TRIGGER	058-0125	1
B08	REAR HANDLE LH	058-0139-1	1
B09	CABLE UK 110V 3M	058-0213	1
B10	CABLE STRAIN RELIEF	058-0144	1
B11	M6 ALLEN KEY	F-HEXKEY-M6-ST-BO	1
B12	ALLEN KEY GROMMET	058-0158	1
B13	WIRE BLOCK CONNECTOR	058-0161	1
B14	PCBA PSU LED B26-8B- 110-120V	058-0207	1
B15	SUPPRESSION CAPACITOR 110-120V	058-0211	1
B16	WIRE RESTRAINT SADDLE	058-0163	1
B17	BUTTON HEAD SELF-TAPPING TORX	F-SBHS-M4-10-ST-BO	2

No.	Description	Part Code	Qty
C01	SCREW BUTTON TORX STEEL BO M5 10MM	F-SBHS-M5-10-ST-BO	4
C02	CHIP COLLECTOR INNER PANEL	058-0130	1
C03	CHIP COLLECTOR INNER PANEL GATE KNOB	058-0135	1
C04	CHIP COLLECTOR INNER PANEL GATE	058-0131	1
C05	SCREW BUTTON TORX STEEL BO M4 10MM	F-SBHS-M4-10-ST-BO	2
C06	SCREW PAN HEAD POZIDRIV PRE ASSEMBLED STEEL BO M4 8MM	F-SPHPZPA-M4-8-ST-BO	4
C07	CHIP COLLECTOR PERFORATED PANEL	058-0151	1
C08	CHIP COLLECTOR HOUSING	058-0122	1
C09	SCREW BUTTON TORX STEEL BO M5 10MM	F-SBHS-M5-10-ST-BO	1
C10	CHIP COMPARTMENT MOVING CATCH ACTAUATOR	058-0191	1
C11	CHIP COMPARTMENT MOVING CATCH	058-0165	1
C12	CHIP COMPARTMENT LATCH LEAF SPRING	058-0164	1
C13	SIGHT GLASS HEEL RETENTION	058-0143	1
C14	SIGHT GLASS HEEL RETENTION	058-0143	1
D04	BUTTON HEAD SELF-TAPPING TORX - M5 - 65MM	F-SBHS-M5-65-ST-BO	1
D05	MOTOR FAN BAFFLE	058-0181	1
D06	110 -120V 1800W FIELD COIL	058-0194-02	1
D07	MOTOR REAR BEARING BUSH	058-0147	1
D08	MOTOR HOUSING	058-0123	1
D09	110-120V MOTOR BRUSH (PR)	058-0209	2
D10	MOTOR BRUSH HOUSING CENTRE	058-0148-2	1
D11	MOTOR BRUSH HOUSING	058-0148-1	1
D12	MOTOR BRUSH HOUSING CAP	058-0150	2
D13	MOTOR HOUSING ENDCAP	058-0124	1
D14	SCREW BUTTON SELF-TAPPING TORX STEEL BO M4 10MM	F-SBHS-M4-10-ST-BO	2
D100	110 -120V ARMATOR ASSEMBLY 1800W	058-0210	1
E1	BASE PLATE METRIC	058-0168	1
E2	BASE PLATE KNOB	058-0171	2
E3	F-NS-M6-ST-BO	058-0203	3
E4	HEAD PIVOT	058-0167	1
E5	WASHER SPRING M6 STEEL BO	F-SWA-M6-ST-BO	2
E6	F-W-M6-ST-BO	F-W-M6-ST-BO	2
E7	SCREW BUTTON SOCKET STEEL BO M6 10MM	F-SBHS-M6-10-ST-BO	2
E8	DEPTH GAUGE METRIC	058-0178	1
E9	SCREW BUTTON SOCKET STEEL BO M6 10MM	F-SBHS-M6-10-ST-BO	1
E10	F-W-M6-ST-BO	F-W-M6-ST-BO	1
E11	WASHER SPRING M6 STEEL BO	F-SWA-M6-ST-BO	1
E12	F-NS-M6-ST-BO	058-0203	1
E13	BASE PLATE KNOB	058-0171	1
E14	PARALLEL GUIDE (DIE-CAST)	058-0186	1
E15	F-NS-M6-ST-BO	058-0203	1
E102	TRACK ADAPTOR ASSEMBLY	058-0096	1



Service Parts List

V: 058-0002

210mm Metal Cutting Circular Saw

110V
UK